

Limitation of Liability: This limited warranty is in lieu of all other express warranties, obligations, or liabilities. Any implied warranties, obligations or liabilities, including, but not limited to, any implied warranty of merchantability shall be limited in duration to the applicable warranty period. Any action for breach of any warranties hereunder, including, but not limited to, any implied warranty of merchantability must be brought within the applicable warranty period.

Modifications of Warranty: No agent, representative, dealer, or employee of KisanKraft Limited or any of its manufacturers has the authority to increase or alter the obligations of this warranty.

Assignment / Transfer of warranty: The warranty cannot be assigned and shall not transfer if the product is resold by the first buyer. The above warranties are extended to the first end user (original purchaser), and no warranty is made, nor authorized to be made assignable on resale by the first end user.

What you must do to obtain limited warranty service: To obtain performance of any obligation under this warranty for failure during the applicable warranty period, you must deliver the defective product, to the nearest Authorized Dealer, along with proof-of-purchase (invoice/receipt). KisanKraft Limited, its manufacturers and its dealers reserve the right to inspect the claimed defective part(s) to determine if the malfunction is the result of a defect covered by this warranty. Please note that the decision of KisanKraft Limited with respect to any warranty claim is final.

After-sales Service (Including Warranty): KisanKraft Limited does not sell directly to consumers. All sales or supplies are made through Authorized Dealers. It is the responsibility of the Authorized Dealer to provide all after-sales service to consumers. Any warranty claim should be raised by dealer to KisanKraft Limited as per warranty policy.

Jurisdiction: All disputes are subject to Bangalore court's jurisdiction.

Notes:

- This purchase is not contingent upon a product demonstration. The purchaser shall satisfy himself with the product, including any product demonstration or verification of any function, before buying. KisanKraft Limited or its authorized dealers, including online sellers, shall not be liable to give any on-site demonstration after purchase of any of the product.
- Any product once used will not be taken back by KisanKraft Limited.
- Warranty and After Sale Services (including but not limited to installation, Demonstration, Repair, Routine Maintenance etc.), should be done through the Authorized Dealer selling this product.
- Dealers should have their own technician to provide After Sales Services to their Customers. KisanKraft Limited provides free training to Authorized Dealer's technicians at KisanKraft Limited's head office, on request from Authorized Dealer

This warranty is null & void, if you fail to register the warranty with KisanKraft by sending the KisanKraft Copy with dealer's stamp.

Product	Tea-Leaf Harvester	KisanKraft Invoice Date	
Brand	KisanKraft	KisanKraft Invoice No.	
Model	☐ KK-TH-725		
WARRANTY PERIOD	6 MONTHS	FOR THE SPECIFIED PERIOD FROM THE DATE OF SALE OR DELIVERY WHICHEVER IS EARLIER.	
Dealer's Invoice Date		Dealer's Invoice No.	
Buyer's Info (Name, Address, Phone, etc.):		Dealer's Stamp (Address, Phone, TIN, etc.):	
Buyer's Sign		Dealer's Sign	

Warranty Policy

What is covered: KisanKraft Limited and its manufacturers warrant this product to be free from defects in material or workmanship. All parts defective in material and workmanship are covered.

This warranty will only cover defects arising under normal usage.

This warranty is limited to repair or replacement by KisanKraft Limited or its manufacturers of such parts as appear to KisanKraft or its manufacturers, upon inspection, to be defective in material and/or workmanship. KisanKraft or its manufacturers make no warranty with respect to items not manufactured or sold by them. No onsite warranty is provided by KisanKraft Limited or its manufacturers. Defective items must be brought/sent to our Authorized Dealer or KisanKraft Limited's office for service.

What is not covered: The *warranty shall become null and void* and neither KisanKraft Limited nor any of its manufacturers, nor its authorized dealers assumes any responsibility, if the failure was caused by the following:

- (1) Operation of product with incorrect fuel or lubricants, (2) Incorrect usage of machine or misuse, (3) Lack of maintenance, (4) Negligence, (5) Accident or physical damage, (6) Repairs made by unauthorized parties and/or with unauthorized parts, (7) Improper set up, adjustments, tampering or altered products (8) Any modification to the product what-so-ever.

Important: (1) Normal maintenance and adjustments to the product is the responsibility of the customer. (2) Normal wear and tear are not covered under warranty. (3) Rubber/plastic parts and consumables such as blades, clutch and clutch-bell, sparkplugs, nylon line, air-filters, fuel-filters, oil seals and gaskets etc. are not covered under the warranty. (4) Electrical Motor, Electrical Parts, Battery Etc. are not covered under the warranty.

Incidental / Consequential Loss: KisanKraft Limited or its manufacturers will not be liable for general damages, including bodily injuries, or for incidental or consequential damages including, but not limited to, loss of use, loss of profits, loss of production, expense of substitute equipment or other commercial loss or damage.

Limitation of Liability: This limited warranty is in lieu of all other express warranties, obligations, or liabilities. Any implied warranties, obligations or liabilities, including, but not limited to, any implied warranty of merchantability shall be limited in duration to the applicable warranty period. Any action for breach of any warranties hereunder, including, but not limited to, any implied warranty of merchantability must be brought within the applicable warranty period.

Modifications of Warranty: No agent, representative, dealer, or employee of KisanKraft Limited or any of its manufacturers has the authority to increase or alter the obligations of this warranty.

Assignment / Transfer of warranty: The warranty cannot be assigned and shall not transfer if the product is resold by the first buyer. The above warranties are extended to the first end user (original purchaser), and no warranty is made, nor authorized to be made assignable on resale by the first end user.

What you must do to obtain limited warranty service: To obtain performance of any obligation under this warranty for failure during the applicable warranty period, you must deliver the defective product, to the nearest Authorized Dealer, along with proof-of-purchase (invoice/receipt). KisanKraft Limited, its manufacturers and its dealers reserve the right to inspect the claimed defective part(s) to determine if the malfunction is the result of a defect covered by this warranty. Please note that the decision of KisanKraft Limited with respect to any warranty claim is final.

After-sales Service (Including Warranty): KisanKraft Limited does not sell directly to consumers. All sales or supplies are made through Authorized Dealers. It is the responsibility of the Authorized Dealer to provide all after-sales service to consumers. Any warranty claim should be raised by dealer to KisanKraft Limited as per warranty policy.

Jurisdiction: All disputes are subject to Bangalore court's jurisdiction.

Notes:

- This purchase is not contingent upon a product demonstration. The purchaser shall satisfy himself with the product, including any product demonstration or verification of any function, before buying. KisanKraft Limited or its authorized dealers, including online sellers, shall not be liable to give any on-site demonstration after purchase of any of the product.
- Any product once used will not be taken back by KisanKraft Limited.
- Warranty and After Sale Services (including but not limited to installation, Demonstration, Repair, Routine Maintenance etc.), should be done through the Authorized Dealer selling this product.
- Dealers should have their own technician to provide After Sales Services to their Customers. KisanKraft Limited provides free training to Authorized Dealer's technicians at KisanKraft Limited's head office, on request from Authorized Dealer

Product	Tea-Leaf Harvester	KisanKraft Invoice Date	
Brand	KisanKraft	KisanKraft Invoice No.	
Model	<input checked="" type="checkbox"/> KK-TH-725		
WARRANTY PERIOD	6 MONTHS	FOR THE SPECIFIED PERIOD FROM THE DATE OF SALE OR DELIVERY WHICHEVER IS EARLIER .	
Dealer's Invoice Date		Dealer's Invoice No.	
Buyer's Info (Name, Address, Phone, etc.):		Dealer's Stamp (Address, Phone, TIN, etc.):	
Buyer's Sign		Dealer's Sign	

Warranty Policy

What is covered: KisanKraft Limited and its manufacturers warrant this product to be free from defects in material or workmanship. All parts defective in material and workmanship are covered.

This warranty will only cover defects arising under normal usage.

This warranty is limited to repair or replacement by KisanKraft Limited or its manufacturers of such parts as appear to KisanKraft or its manufacturers, upon inspection, to be defective in material and/or workmanship. KisanKraft or its manufacturers make no warranty with respect to items not manufactured or sold by them. No onsite warranty is provided by KisanKraft Limited or its manufacturers. Defective items must be brought/sent to our Authorized Dealer or KisanKraft Limited's office for service.

What is not covered: The warranty shall become null and void and neither KisanKraft Limited nor any of its manufacturers, nor its authorized dealers assumes any responsibility, if the failure was caused by the following:

- (1) Operation of product with incorrect fuel or lubricants, (2) Incorrect usage of machine or misuse, (3) Lack of maintenance, (4) Negligence, (5) Accident or physical damage, (6) Repairs made by unauthorized parties and/or with unauthorized parts, (7) Improper set up, adjustments, tampering or altered products (8) Any modification to the product what-so-ever.

Important: (1) Normal maintenance and adjustments to the product is the responsibility of the customer. (2) Normal wear and tear are not covered under warranty. (3) Rubber/plastic parts and consumables such as blades, clutch and clutch-bell, sparkplugs, nylon line, air-filters, fuel-filters, oil seals and gaskets etc. are not covered under the warranty. (4) Electrical Motor, Electrical Parts, Battery Etc. are not covered under the warranty.

Incidental / Consequential Loss: KisanKraft Limited or its manufacturers will not be liable for general damages, including bodily injuries, or for incidental or consequential damages including, but not limited to, loss of use, loss of profits, loss of production, expense of substitute equipment or other commercial loss or damage.

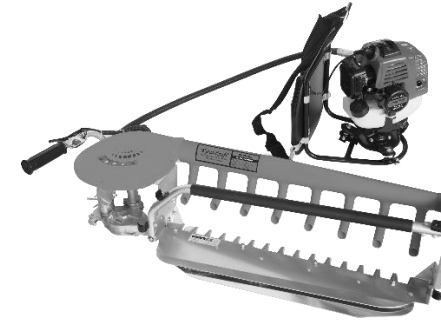
This warranty is null & void, if you fail to register the warranty with KisanKraft by sending the KisanKraft Copy with dealer's stamp.



Wide Range of Products for Every Need



User Manual



KisanKraft Limited

Sri Huchhanna Tower, #4, 1st Main, 7-A Cross, Maruthi Layout, Dasarahalli,
HAF Post, Hebbal, Bangalore 560024, Karnataka, INDIA

- ◆ Bangalore (HO) ◆ Ahmedabad ◆ Bhopal ◆ Bhubaneswar ◆ Coimbatore
- ◆ Guwahati ◆ Nellore ◆ Hubli ◆ Hyderabad
- ◆ Jaipur ◆ Karnal ◆ Kolkata ◆ Lucknow ◆ Pune ◆ Raipur

For more information give **MISSED CALL: 07676065555**



Many of our products have BIS: ISI certification.



Scan the QR code to download
KisanKraft App

App is available on Google Play



Scan the QR code for
KisanKraft Youtube Channel

YouTube

CONTENTS

BEFORE GETTING STARTED..... 7
 SAFETY INSTRUCTIONS..... 7
 TECHNICAL SPECIFICATION..... 8
 The Connection of the KK-TH-725 Tea Harvester 9
 PRECUATION BEFORE OPERATION..... 9
 TROUBLESHOOTING..... 14
 PART DIAGRAM..... 18

KisanKraft has a large range of products to serve the farmers. A list of our products is given below:

<p>Brush Cutters and Accessories</p> <ul style="list-style-type: none"> Brush Cutter/Power Weeder Backpack Brush Cutter Tea Pruner Pole pruner with Engine Reaper Attachment Blades-Circular Blades (2 & 3 points) Baffle Nylon Rope Tap & Go <p>Chainsaws</p> <ul style="list-style-type: none"> Petrol Chainsaw Electric Chainsaw Chain Sharpening Machine <p>Engines and Water Pumps</p> <ul style="list-style-type: none"> Engine –Diesel-(Horizontal) Engine –Diesel(Vertical) Engine-Kerosene Water Pump with Petrol Engine Water Pump with Kerosene Engine Water Pump with Diesel Engine <p>Hand Tools</p> <ul style="list-style-type: none"> Secateurs Folding Saw Garden Rake Garden Shovel Hedge Shear Lopper Telescopic Hedge Shear Telescopic Lopping Shear Tree Pruner Telescopic Steel Pipe & Fruit Picker Bag Sheep Shear <p>Garden Tools</p> <ul style="list-style-type: none"> Electric Pressure Washer Hedge Trimmer Lawn Mower (Electric, Petrol & Manual) Leaf Blower 	<p>Cultivators and Accessories</p> <ul style="list-style-type: none"> Petrol and Diesel <p>Sprayers and Accessories</p> <ul style="list-style-type: none"> Battery Sprayer Portable Power Sprayer Trolley Sprayer Manual Knapsack Sprayer Manual Pressure Sprayer Rose Cans Hose Crimping Machine HTP Sprayer HTP Delivery Hose HTP Hose Reel HTP Stand HTP Gun / Lance(Brass Rod) Knapsack Power Sprayer Mister / Duster / Granule Spreader HTP Sprayer Set with Diesel Engine HTP Sprayer Set with Kerosene Engine Fogging Machine <p>Milking Machine</p> <ul style="list-style-type: none"> Wood Shredder Fodder Ensiling Chaff Cutter Fodder Grinder Chaff Cutter Fodder Mini Chaff Cutter <p>Harvester</p> <ul style="list-style-type: none"> Maize Sheller Maize Sheller + Dehusker Maize Combine Harvester Onion Digger Carlotta Italy Tea Leaf Harvester Sugarcane Combine Harvester Sugarcane Leaf Stripper <p>Transplanter and Post Hole Digger</p> <ul style="list-style-type: none"> Paddy Transplanter (2 & 8 Rows) Transplanter-Vegetable & Tobacco Post Hole Digger(4" to 14"Augers)
--	--

Serial No	Name	Qty.	Serial No	Name	Qty.
55	NUT M6	1	82	BACK PACK FRAME	1
56	BLADE COVER	1	83	SCREW M5-12	4
57	FIXED BAYONET LOCK	1	84	BACK CUSHION	1
58	BLADE SCREW M5*16	1	85	STRAPS	1
59	DRIVE SOFT SHAFT	1	86	DAMPING SPRING	3
60	DRIVE SOFT HOSE	1	87	NUT M10	1
61	SCREW M6*15	4	88	FLAT GASKET 10	1
62	BEARING 6201	1	89	TRIANGLE PLATE	1
63	CIRCLIP	1	90	SCREW M5	6
64	CLUTCH DISC	1	91	BEARING 6200	1
65	SCREW M5*30	2	92	SCREW M5*12	4
66	SCREW M4*12	2	93	ENGINE BRACKET	1
67	SELF-LOCKING NUT M5	5	94	SCREW M5*35	1
68	COLLECTING PLATE	1	95	SCREW M6*35	3
69	BLADE PRESS PLATE	1			
70	SELF-LOCKING NUT M6	3			
71	NUT M4	8			
72	SCREW M4*12	2			
73	BLADE SUPPORT-RIGHT	1			
74	SIDE SUPPORT PLATE-RIGHT	1			
75	SCREW M4*12	2			
76	SELF-TAPPING SCREW M4	4			
77	BAG HOOK(2)	2			
78	SELF-TAPPING SCREW ZM4*8	4			
79	WIND PIPE END CAP	1			
80	WIND PIPE	1			
81	SCREW M5*12	6			

Product	Tea-Leaf Harvester	KisanKraft Invoice Date	
Brand	KisanKraft	KisanKraft Invoice No.	
Model	<input checked="" type="checkbox"/> KK-TH-725		
WARRANTY PERIOD	6 MONTHS	FOR THE SPECIFIED PERIOD FROM THE DATE OF SALE OR DELIVERY WHICHEVER IS EARLIER.	
Dealer's Invoice Date		Dealer's Invoice No.	
Buyer's Info (Name, Address, Phone, etc.):		Dealer's Stamp (Address, Phone, TIN, etc.):	
Buyer's Sign		Dealer's Sign	

Warranty Policy

What is covered: KisanKraft Limited and its manufacturers warrant this product to be free from defects in material or workmanship. All parts defective in material and workmanship are covered.

This warranty will only cover defects arising under normal usage. This warranty is limited to repair or replacement by KisanKraft Limited or its manufacturers of such parts as appear to KisanKraft or its manufacturers, upon inspection, to be defective in material and/or workmanship. KisanKraft or its manufacturers make no warranty with respect to items not manufactured or sold by them. No onsite warranty is provided by KisanKraft Limited or its manufacturers. Defective items must be brought/sent to our Authorized Dealer or KisanKraft Limited's office for service.

What is not covered: The warranty shall become null and void and neither KisanKraft Limited nor any of its manufacturers, nor its authorized dealers assumes any responsibility, if the failure was caused by the following:

- (1) Operation of product with incorrect fuel or lubricants, (2) Incorrect usage of machine or misuse, (3) Lack of maintenance, (4) Negligence, (5) Accident or physical damage, (6) Repairs made by unauthorized parties and/or with unauthorized parts, (7) Improper set up, adjustments, tampering or altered products (8) Any modification to the product what-so-ever.

Important: (1) Normal maintenance and adjustments to the product is the responsibility of the customer. (2) Normal wear and tear are not covered under warranty. (3) Rubber/plastic parts and consumables such as blades, clutch and clutch-bell, sparkplugs, nylon line, air-filters, fuel-filters, oil seals and gaskets etc. are not covered under the warranty. (4) Electrical Motor, Electrical Parts, Battery Etc. are not covered under the warranty.

This warranty is null & void, if you fail to register the warranty with KisanKraft by sending the KisanKraft Copy with dealer's stamp.

KisanKraft Limited

Incidental/ Consequential Loss: KisanKraft Limited or its manufacturers will not be liable for general damages, including bodily injuries, or for incidental or consequential damages including, but not limited to, loss of use, loss of profits, loss of production, expense of substitute equipment or other commercial loss or damage.

Limitation of Liability: This limited warranty is in lieu of all other express warranties, obligations, or liabilities. Any implied warranties, obligations or liabilities, including, but not limited to, any implied warranty of merchantability shall be limited in duration to the applicable warranty period. Any action for breach of any warranties hereunder, including, but not limited to, any implied warranty of merchantability must be brought within the applicable warranty period.

Modifications of Warranty: No agent, representative, dealer, or employee of KisanKraft Limited or any of its manufacturers has the authority to increase or alter the obligations of this warranty.

Assignment / Transfer of warranty: The warranty cannot be assigned and shall not transfer if the product is resold by the first buyer. The above warranties are extended to the first end user (original purchaser), and no warranty is made, nor authorized to be made assignable on resale by the first end user.

What you must do to obtain limited warranty service: To obtain performance of any obligation under this warranty for failure during the applicable warranty period, you must deliver the defective product, to the nearest Authorized Dealer, along with proof-of-purchase (invoice/receipt). KisanKraft Limited, its manufacturers and its dealers reserve the right to inspect the claimed defective part(s) to determine if the malfunction is the result of a defect covered by this warranty. Please note that the decision of KisanKraft Limited with respect to any warranty claim is final.

After-sales Service (Including Warranty): KisanKraft Limited does not sell directly to consumers. All sales or supplies are made through Authorized Dealers. It is the responsibility of the Authorized Dealer to provide all after-sales service to consumers. Any warranty claim should be raised by dealer to KisanKraft Limited as per warranty policy.

Jurisdiction: All disputes are subject to Bangalore court's jurisdiction.

Notes:

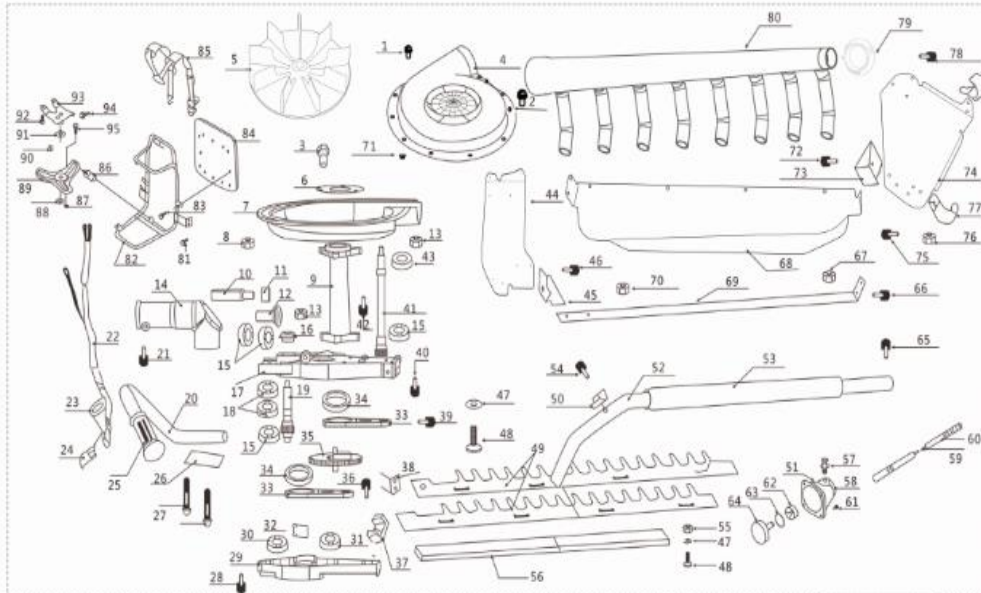
- This purchase is not contingent upon a product demonstration. The purchaser shall satisfy himself with the product, including any product demonstration or verification of any function, before buying. KisanKraft Limited or its authorized dealers, including online sellers, shall not be liable to give any on-site demonstration after purchase of any of the product.
- Any product once used will not be taken back by KisanKraft Limited.
- Warranty and After Sale Services (including but not limited to installation, Demonstration, Repair, Routine Maintenance etc.), should be done through the Authorized Dealer selling this product.
- Dealers should have their own technician to provide After Sales Services to their Customers. KisanKraft Limited provides free training to Authorized Dealer's technicians at KisanKraft Limited's head office, on request from Authorized Dealer

This warranty is null & void, if you fail to register the warranty with KisanKraft by sending the KisanKraft Copy with dealer's stamp.

KisanKraft Limited

Serial No	Name	Qty.	Serial No	Name	Qty.
1	SCREW M4*6	8	28	SCREW M5*30	6
2	SCREW M4*8	2	29	GEARCASE COVER	1
3	SCREW M4*10	3	30	BEARING 608	1
4	FAN COVER(UPPER)	1	31	BEARING 606	2
5	FAN	1	32	ANTI FRICTION PLATE	2
6	FAN COVER LOWER PRESSING PLATE	1	33	CONNECTING ROD	2
7	FAN COVER (LOWER)	1	34	BEARING 6805	2
8	NUT M4	9	35	BIG GEAR	1
9	FAN SEAT	1	36	SCREW M4*8	4
10	SQUARE SHAFT JOINT	1	37	WOOL FELT	1
11	SPACER	1	38	BLADE FIXTURE BLOCK	1
12	DRIVE BEVEL GEAR	1	39	SCREW M4*12	2
13	NUT M6	2	40	SCREW M5*20	3
14	ROTATORY SEAT	1	41	FAN AXIS	1
15	BEARING 6001	3	42	SCREW M4*16	3
16	DRIVE BEVEL GEAR	1	43	BEARING 6000	1
17	GEARBOX	1	44	SIDE SUPPORT PLATE-LEFT	1
18	BEARING 6200	2	45	BLADE SUPPORT-LEFT	1
19	LOWER GEAR SHAFT	1	46	SCREW M4*8	2
20	LEFT HANDLE SEAT	1	47	MANGANESE STEEL GASKET 6	4
21	BUTTERFLY SCREW M15*28	1	48	BLADE SCREW M6*18	4
22	THROTTLE CABLE	1	49	BLADE	1
23	ACCELERATOR SWITCH	1	50	TEA BAG HOOK(1)	2
24	STOP SWITCH CABLE	1	51	CLUTCH SEAT	1
25	LEFT HANDLE SEAT	1	52	RIGHT HANDLE	1
26	HANDLE PRESSURE PLATE	1	53	RIGHT HANDLE COVER	1
27	SCREW M6*30	2	54	SCREW M5*28	4

PART DIAGRAM



BEFORE GETTING STARTED

We wish to thank you for choosing our product. We are confident that the high quality of our product will meet your requirement and will give you long-lasting service. In order to avoid accidents or injury, please read this manual and that of gasoline engine carefully before using the machine. After reading, preserve this manual for further reference.

SAFETY INSTRUCTIONS

1. Please accept the safety operation guidance in advance if the users have little knowledge in operating the machine and after that, the machine is available.
2. The machine can't be used by the following crowd
 - (1) Drunk people
 - (2) Madmen
 - (3) Children and pregnant women
 - (4) People who are unable to operate the machine because of over toil illness and drug allergy
3. Operation of clothing
 - (1) Long-sleeved clothes and trousers should be worn, but the clothes with wide cuffs should be avoided.
 - (2) The cap and the glasses should be worn
 - (3) A pair of glove is needed when it is examined and taken good care of
 - (4) Slippery shoes should be avoided
4. No smoking and open flames
 - (1) The placement of the fuel should be valued and the places that are easy to catch fire are avoided
 - (2) No smoking when the engine is being operated and the fuel is supplied
 - (3) The engine should be stopped when the fuel is supplied. In addition; please dry the fuel on the engine on the occasion that the machine turns upside down or the engine is splashed with the fuel when the fuel is supplied

TECHNICAL SPECIFICATION

No	Technical Data	Units	Parameter Value
1	Product model	/	KK-TH-725
2	Size(length*width*height)	/	143*33*33
3	Engine transmission mode	/	Automatic centrifugal clutch
4	Clutch bonding rotating rate	r/min	3700-3800
5	Blade rotating direction		5/ Reciprocating type
7	Engine power	KW	0.75
8	Engine standard rotating rate	R/MIN	7500
9	Displacement		25.4cc
10	Method of starting		Recoil starting
11	Way of ignition		CDI
12	Fuel model		2-stroke gasoline
13	Fuel used		Ratio of fuel and lubricant 25-30:1

Engine Technical specification

Engine	2-Stroke	
Displacement	25.4 cc	
Rated. power	0.75kW (1hp)/7500 RPM	
Fuel tank capacity	0.6L	
Carburetor	Walbro	
Blade Length	600 mm (SKS)	
Tea Bag	6 m (1 Piece)	
Ratio of fuel and lubricant	The 1 st 20hours	25:1
	20hours later	30:1

(3)Halt of the Operation

Differences	Reasons	Approaches
Sudden halt of the operation	Piston sintering	Revise the piston and cylinder with file/change the sintering ring
	Short circuit for the piling of the carbon	Clean the carbon
	Problems is the magneto	Examine
	Breakdown of the spark plug cap	Embed as the original form
Halt for the low rotating rate	Scarce fuel	Fill
	The block of the interior carburetor	Examine and clean
	The fuel is mixed with water	Fulfill the fuel again

(4)Halt Difficulty

Differences	Reasons	Approaches
Carburetor	Overheat of the piston and spontaneous combustion inside	Eliminate the carbon of the cylinder and the piston
Others	Red and hot of the top of the spark plug	Eliminate the electrode and adjust the gap(0.5-0.6mm)
	Cable loss	Insert into

The Connection of the KK-TH-725 Tea Harvester

1. Pull up the pin on the engine output hole, and then put the end of the flexible shaft cover with the hole into the hole.
2. Turn around the flexible shaft cover to make the pin insert into the hole, therefore, the fixing of the part of the flexible shaft is finished.
3. On the part of the flexible shaft cover with the groove, on one hand, please turn around the square flexible shaft slowly, on the other, push it inwards to make the flexible shaft stick into the square hole of the engine.
4. Adjust the flexible shaft and the square hole of the actuating shaft, push the flexible shaft cover with the groove into the flexible shaft setting.
5. Stick into the flexible shaft pin and install the cotter pin .Therefore the installation of the flexible shaft is completed.

PRECUATION BEFORE OPERATION

1. Examination is needed before operation. Please entrust the exclusive shop to fix the machine if it is necessary to adjust the spare parts.
2. Objects for examination before operation.

Examination	Content	Approach
Outlook	Frayed or loose?	Reinforce it
Fastener	Dropped off or loose?	Fasten it
Gear case	Grease supplied?	Supply the grease every20-30hrs once
Blades	Frayed, broken, or deformed/Lubricant?	Change the spare parts/oil
Air filter	Polluted?	Clarify it

Fuel tank	Fuel? The fuel tank cover loose?	Oil/fasten it
Throttle switch	Smooth to operate it from low to high speed?	Adjust/change the spare parts
Engine switch	ON, OFF works well?	Change the spare parts
Blade adjusted nut	The gap of blade well adjusted?	Adjust it
Handle	Fixed	Adjust it

1. Examination is needed before operation. Please entrust the exclusive shop to fix the machine if it is necessary to adjust the spare parts.
2. Objects for examination before operation.

Precautions of Operation

1. The fuel must be used with 90# motor petrol and the 2-stroke engine oil, the proportion of the petrol and the engine oil must be correct, in the 1st 20 hrs, the mixing ratio of the petrol and the engine oil is 25:1 and later it will be changed into 30:1.
2. No sudden halt of the engine with the high speed operation. The idling speed is adjusted into 2300-2700r/min, no more casual adjustment.
3. For per hour of the rotation of the blade, please oil it once with HG-10 motor petrol, and correctly adjust the blade gap.
4. Pour the ZFG-10 compound calcium-based grease into the transmission case for every 8-10 hr operation.
5. No severe collision of the machine when moved.
6. Tea Harvester can't be used as hedge trimmers.
7. Never touch the blade during the operation of the engine, even under the condition of the separation of the clutch.
8. Stop the engine when the workplace is changed or the termination of the operation, even under the condition of the short distance.
9. Never touch the spark plug during the operation of the engine.

(2)Short of power

Differences	Reasons	Approaches
Good compression no burning flameout	The air has come into the seam of the inlet pipe	Fasten
	The air has come into the inlet pipe and carburetor	Airproof and fasten
	The fuel is mixed with water	Change the high-quality fuel
	The piston has a burning smell	Clean every spare parts
Overheat	Carbon piled around	Clean
	Too thin fuel	Adjust the carburetor
Vibration noise(abnormal)	Dust piled on the fan cover and cylinder cooling pin	Eliminate
	Low-quality fuel	Change high-quality fuel
Others	Carbon piled in the fuel cell	Clean
	The block of the air filter	Clean
	Overload	Proper load

TROUBLESHOOTING

(1) Unable to start

Differences		Reasons	Approaches	
No spark during fire-lighting of the spark plug	The spark plug	Moistness of the pole	Dry	
		The restoration of carbon of the pole	Clean	
		Chap of the insulator or low insulation	Change	
		Too small/overlarge electrode gap	Adjust 0.5-0.6mm	
		The injury of the electrode	Change	
	Good compression	Too thick fuel	Adjust the carburetor	
		The use of bad fuel	Change the good fuel	
Spark during fire-lighting of the spark plug	Bad compression	Badly worn of the cylinder, piston and piston ring	Change	
		Carburetor	No fuel	Supply
			Orifice plugging	Eliminate
			The block of the filter network	Clean
	Fuel unsupplied	The loose of the inlet pipe and the carburetor	Fasten	

10. The curved degree for the flexible shaft of the single tea Harvester should be proper to avoid being broken. Before operation, please wipe the butter of high temperature on the flexible shaft and stick the tube into it and then pull it several times.

Startup and Halt of the Engine

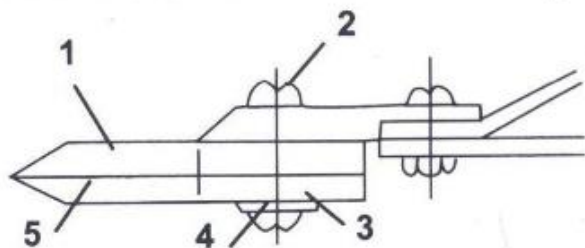
1. I. Press the oil pump several times before startup, as the fuel goes into the carburetor, then the air could come out, at the same time, please guarantee the close of the throttle control handle.
2. As the engine is at the state of cooling or started up in winter, please open the circuit switch and close the choke valve of the carburetor.
3. Press the engine and pull the starting rope.
4. After starting the engine, the users should accelerate the throttle to make it run idly for 2-3min to keep the engine warm, and then reinforce the throttle to make it work normally.
5. To stop: Make the throttle switch stay at the low-speed position, reduce the rotating rate of the engine, and keep the cooling operation for 2-3min, then close the circuit switch.

Reparation and Adjustment of Tea Harvester

1. As the blade is the high-speed sliding components, therefore, the lubricant must be poured into once per hour and the blade needs oiling with HG-10 motor petrol.
2. Examine and adjust the blade gap. After worked for a certain period, the normal gap of blade will be changed either for the fray of the blade or for the loose of the bolts (about 0.05mm). Therefore, the operation of the blade must be examined, as well as the loose of the bolts and the gap of the blade. The fitness of the blade gap determines the function of plucking and cutting. Overlarge gap will make the blade easy to break, which will not

only have a negative impact on the quality of the tea, but also result in the unevenness of the surface of the tea garden;

3. On the contrary, it is difficult for the operation of the blade with too small gap, or even the blade will be broken easily



The upper blade 2.Nut 3. Gasket 4. M6 bolt 5. The nether blade

- 1) Loosen the nut;
 - 2) Use the Phillips screwdriver to tighten the screws and then withdraw them for 3/8circle;
 - 3) tighten the nut, at the same time, the blade adjusted gasket should be moved flexibly;
 - 4) Oil the blade with lubricant;
 - 5) start the engine to make the blade operate with high speed for 1 min;
 - 6) Stop the engine and touch the nut. It works well if the hand bears the Temperature of the nut; if not, loosen the bolt and adjust it to the standard.
1. Keep the Air Supply System Clean
 - a. Keep the draught fan clean: the draught capacity will be reduced if it is blocked by the extraneous matter, so the draught fan cover should be pulled down so that the interior place can be clarified.
 - b. Keep the blast pipe clean: it is easy for the interior place of the blast pipe to restore the pollutants: therefore, the terminal rubber stopper should be pulled down so that the pipe can be clarified.
 2. Elimination of the carbon on the spark plug and the adjustment of the gap:

3. The spark plug must be pulled down and the carbon on it must be eliminated after the engine worked for 25hrs. At the same time, the gap of electrode must be adjusted (0.5-0.6mm).
4. After worked for 15hrs, the air filter must be pulled down and cleaned with gasoline, after being dried, it should be fixed again. What's more, the cylinder cover also should be pulled down to be cleaned without any carbon /dust left.
5. Keep the carburetor clean: during the operation of the tea harvester, the carbon powder in the air and the dust or the tea plant will pollute the engine, apart from clarifying the pollutants of the engine, the carburetor should be cleaned as well after 100hrs. (During the cleaning of the carburetor, the close of the fuel tank switch must be guaranteed.)
6. Attention: the interior spare parts have been fitted with the engine, no more adjustment.
7. The shelving of the engine for a long time
 - a. After the cooling of the engine, the fuel should be poured out, and the lubricant pump should be pressed several times to let the residual fuel back to the fuel tank; finally, all fuel in the fuel tank should be sucked out.
 - b. The spark plug should be pulled down; a few drops of gasoline should be poured into the hole, and the starter should be pulled lightly so that the gasoline can be wiped on the inner wall of the cylinder; finally, the spark plug should be installed again.
 - c. The external sundries on the engine, the tea pulp on the blade and the pressure blade should be eliminated and restored in the dry place.
 - d. Reparation for the spare parts that don't work well. The necessary reparation, replacement and adjustment should be entrusted to the exclusive shop.