

but not limited to, loss of use, loss of profits, loss of production, expense of substitute equipment or other commercial loss or damage.

Limitation of Liability: This limited warranty is in lieu of all other express warranties, obligations, or liabilities. Any implied warranties, obligations, or liabilities, including, but not limited to, any implied warranty of merchantability shall be limited in duration to the applicable warranty period. Any action for breach of any warranties hereunder, including, but not limited to, any implied warranty of merchantability must be brought within the applicable warranty period.

Modifications of Warranty: No agent, representative, dealer, or employee of KisanKraft Limited or any of its manufacturers has the authority to increase or alter the obligations of this warranty.

Assignment / Transfer of warranty: The warranty cannot be assigned and shall not transfer if the product is resold by the first buyer. The above warranties are extended to the first end user (original purchaser), and no warranty is made, nor authorized to be made assignable on resale by the first end user.

What you must do to obtain limited warranty service: To obtain performance of any obligation under this warranty for failure during the applicable warranty period, you must deliver the defective product, to the nearest Authorized Dealer, along with proof-of-purchase (invoice/receipt). KisanKraft Limited, its manufacturers and its dealers reserve the right to inspect the claimed defective part(s) to determine if the malfunction is the result of a defect covered by this warranty. Please note that the decision of KisanKraft Limited with respect to any warranty claim is final.

After-sales Service (Including Warranty): KisanKraft Limited does not sell directly to consumers. All sales or supplies are made through Authorized Dealers. It is the responsibility of the Authorized Dealer to provide all after-sales service to consumers. Any warranty claim should be raised by dealer to KisanKraft Limited as per warranty policy.

Jurisdiction: All disputes are subject to Bangalore court's jurisdiction.

Notes:

- This purchase is not contingent upon a product demonstration. The purchaser shall satisfy himself with the product, including any product demonstration or verification of any function, before buying. KisanKraft Limited or its authorized dealers, including online sellers, shall not be liable to give any on-site demonstration after purchase of any of the product.
- Any product once used will not be taken back by KisanKraft Limited.
- Warranty and After Sale Services (including but not limited to installation, Demonstration, Repair, Routine Maintenance etc.), should be done through the Authorized Dealer selling this product.
- Dealers should have their own technician to provide After Sales Services to their Customers. KisanKraft Limited provides free training to Authorized Dealer's technicians at KisanKraft Limited's head office, on request from Authorized Dealer.

This warranty is null & void, if you fail to register the warranty with KisanKraft by sending the KisanKraft Copy with dealer's stamp.

Product	Rice Mill with Grinder	KisanKraft Invoice Date	
Brand	KisanKraft	KisanKraft Invoice No.	
Model	☐ KK-RMC-F4C21		
WARRANTY PERIOD	6 MONTHS	FOR THE SPECIFIED PERIOD FROM THE DATE OF SALE OR DELIVERY WHICHEVER IS EARLIER.	
Dealer's Invoice Date		Dealer's Invoice No.	
Buyer's Info (Name, Address, Phone, etc.):		Dealer's Stamp (Address, Phone, TIN, etc.):	
Buyer's Sign		Dealer's Sign	

Warranty Policy

What is covered: KisanKraft Limited and its manufacturers warrant this product to be free from defects in material or workmanship. All parts defective in material and workmanship are covered.

This warranty will only cover defects arising under normal usage.

This warranty is limited to repair or replacement by KisanKraft Limited or its manufacturers of such parts as appear to KisanKraft or its manufacturers, upon inspection, to be defective in material and/or workmanship. KisanKraft or its manufacturers make no warranty with respect to items not manufactured or sold by them. No onsite warranty is provided by KisanKraft Limited or its manufacturers. Defective items must be brought/sent to our Authorized Dealer or KisanKraft Limited's office for service.

What is not covered: The *warranty shall become null and void* and neither KisanKraft Limited nor any of its manufacturers, nor its authorized dealers assume any responsibility, if the failure was caused by the following:

- (1) Operation of product with incorrect fuel or lubricants, (2) Incorrect usage of machine or misuse, (3) Lack of maintenance, (4) Negligence, (5) Accident or physical damage, (6) Repairs made by unauthorized parties and/or with unauthorized parts, (7) Improper set up, adjustments, tampering or altered products (8) Any modification to the product what-so-ever.

Important: (1) Normal maintenance and adjustments to the product is the responsibility of the customer. (2) Normal wear and tear are not covered under warranty. (3) Rubber/plastic parts and consumables such as blades, clutch and clutch-bell, sparkplugs, nylon line, air-filters, fuel-filters, oil seals and gaskets etc. are not covered under the warranty. (4) Electrical Motor, Electrical Parts, Battery Etc. are not covered under the warranty.

Incidental / Consequential Loss: KisanKraft Limited or its manufacturers will not be liable for general damages, including bodily injuries, or for incidental or consequential damages including, but not

limited to, loss of use, loss of profits, loss of production, expense of substitute equipment or other commercial loss or damage.

Limitation of Liability: This limited warranty is in lieu of all other express warranties, obligations, or liabilities. Any implied warranties, obligations, or liabilities, including, but not limited to, any implied warranty of merchantability shall be limited in duration to the applicable warranty period. Any action for breach of any warranties hereunder, including, but not limited to, any implied warranty of merchantability must be brought within the applicable warranty period.

Modifications of Warranty: No agent, representative, dealer, or employee of KisanKraft Limited or any of its manufacturers has the authority to increase or alter the obligations of this warranty.

Assignment / Transfer of warranty: The warranty cannot be assigned and shall not transfer if the product is resold by the first buyer. The above warranties are extended to the first end user (original purchaser), and no warranty is made, nor authorized to be made assignable on resale by the first end user.

What you must do to obtain limited warranty service: To obtain performance of any obligation under this warranty for failure during the applicable warranty period, you must deliver the defective product, to the nearest Authorized Dealer, along with proof-of-purchase (invoice/receipt). KisanKraft Limited, its manufacturers and its dealers reserve the right to inspect the claimed defective part(s) to determine if the malfunction is the result of a defect covered by this warranty. Please note that the decision of KisanKraft Limited with respect to any warranty claim is final.

After-sales Service (Including Warranty): KisanKraft Limited does not sell directly to consumers. All sales or supplies are made through Authorized Dealers. It is the responsibility of the Authorized Dealer to provide all after-sales service to consumers. Any warranty claim should be raised by dealer to KisanKraft Limited as per warranty policy.

Jurisdiction: All disputes are subject to Bangalore court's jurisdiction.

Notes:

- This purchase is not contingent upon a product demonstration. The purchaser shall satisfy himself with the product, including any product demonstration or verification of any function, before buying. KisanKraft Limited or its authorized dealers, including online sellers, shall not be liable to give any on-site demonstration after purchase of any of the product.
- Any product once used will not be taken back by KisanKraft Limited.
- Warranty and After Sale Services (including but not limited to installation, Demonstration, Repair, Routine Maintenance etc.), should be done through the Authorized Dealer selling this product.
- Dealers should have their own technician to provide After Sales Services to their Customers. KisanKraft Limited provides free training to Authorized Dealer's technicians at KisanKraft Limited's head office, on request from Authorized Dealer...

Product	Rice Mill with Grinder	KisanKraft Invoice Date	
Brand	KisanKraft	KisanKraft Invoice No.	
Model	☐ KK-RMC-F4C21		
WARRANTY PERIOD	6 MONTHS	FOR THE SPECIFIED PERIOD FROM THE DATE OF SALE OR DELIVERY WHICHEVER IS EARLIER.	
Dealer's Invoice Date		Dealer's Invoice No.	
Buyer's Info (Name, Address, Phone, etc.):		Dealer's Stamp (Address, Phone, TIN, etc.):	
Buyer's Sign		Dealer's Sign	

Warranty Policy

What is covered: KisanKraft Limited and its manufacturers warrant this product to be free from defects in material or workmanship. All parts defective in material and workmanship are covered. This warranty will only cover defects arising under normal usage.

This warranty is limited to repair or replacement by KisanKraft Limited or its manufacturers of such parts as appear to KisanKraft or its manufacturers, upon inspection, to be defective in material and/or workmanship. KisanKraft or its manufacturers make no warranty with respect to items not manufactured or sold by them. No onsite warranty is provided by KisanKraft Limited or its manufacturers. Defective items must be brought/sent to our Authorized Dealer or KisanKraft Limited's office for service.

What is not covered: The *warranty shall become null and void* and neither KisanKraft Limited nor any of its manufacturers, nor its authorized dealers assume any responsibility, if the failure was caused by the following:

- (1) Operation of product with incorrect fuel or lubricants,
- (2) Incorrect usage of machine or misuse,
- (3) Lack of maintenance,
- (4) Negligence,
- (5) Accident or physical damage,
- (6) Repairs made by unauthorized parties and/or with unauthorized parts,
- (7) Improper set up, adjustments, tampering or altered products
- (8) Any modification to the product what-so-ever.

Important: (1) Normal maintenance and adjustments to the product is the responsibility of the customer. (2) Normal wear and tear are not covered under warranty. (3) Rubber/plastic parts and consumables such as blades, clutch and clutch-bell, sparkplugs, nylon line, air-filters, fuel-filters, oil seals and gaskets etc. are not covered under the warranty. (4) Electrical Motor, Electrical Parts, Battery Etc. are not covered under the warranty.

Incidental / Consequential Loss: KisanKraft Limited or its manufacturers will not be liable for general damages, including bodily injuries, or for incidental or consequential damages including,

This warranty is null & void, if you fail to register the warranty with KisanKraft by sending the KisanKraft Copy with dealer's stamp.



Wide Range of Products for Every Need



For more information give **MISSED CALL: 07676065555**



Many of our products have BIS: ISI certification.



User Manual



KisanKraft Limited

Warehouse: 818 3B1 to 818 3B18, Podalukur - Sangam Road, Prabagiripatnam, Podalukur, Nellore - 524345, Andhra Pradesh, INDIA

Head Office: Sri Huchhanna Tower, #4, 1st Main, 7-A Cross, Maruthi Layout, Dasarahalli, HAF Post, Hebbal, Bangalore 560024, Karnataka, INDIA

- ◆ Bangalore (HO) ◆ Ahmedabad ◆ Bhopal ◆ Bhubaneswar ◆ Coimbatore
- ◆ Guwahati ◆ Hubli ◆ Hyderabad ◆ Jaipur ◆ Karnal
- ◆ Kolkata ◆ Lucknow ◆ Nellore ◆ Pune ◆ Raipur



Scan the QR code to download
KisanKraft App

App is available on Google Play



Scan the QR code for
KisanKraft Youtube Channel

YouTube

CONTENTS

Before Getting Started 7

Operating environment and working conditions..... 7

Structure and working principle 8

Technical Specification:..... 9

Installation And Troubleshooting Operation 10

Safety Instructions 11

Troubleshooting..... 12

Maintenance 12

KisanKraft has a large range of products to serve the farmers. A list of our products is given below:

<p>Brush Cutters and Accessories</p> <ul style="list-style-type: none"> Brush Cutter/Power Weeder Backpack Brush Cutter Tea Pruner Pole pruner with Engine Reaper Attachment Blades-Circular Blades (2 &3 points) Baffle Nylon Rope Tap & Go <p>Chainsaws</p> <ul style="list-style-type: none"> Petrol Chainsaw Electric Chainsaw Chain Sharpening Machine <p>Engines and Water Pumps</p> <ul style="list-style-type: none"> Engine –Diesel-(Horizontal) Engine –Diesel(Vertical) Engine-Kerosene Water Pump with Petrol Engine Water Pump with Kerosene Engine Water Pump with Diesel Engine <p>Hand Tools</p> <ul style="list-style-type: none"> Secateurs Folding Saw Garden Rake Garden Shovel Hedge Shear Lopper Telescopic Hedge Shear Telescopic Lopping Shear Tree Pruner Telescopic Steel Pipe & Fruit Picker Bag Sheep Shear <p>Garden Tools</p> <ul style="list-style-type: none"> Electric Pressure Washer Hedge Trimmer Lawn Mower (Electric, Petrol & Manual) Leaf Blower 	<p>Cultivators and Accessories</p> <ul style="list-style-type: none"> Petrol and Diesel <p>Sprayers and Accessories</p> <ul style="list-style-type: none"> Battery Sprayer Portable Power Sprayer Trolley Sprayer Manual Knapsack Sprayer Manual Pressure Sprayer Rose Cans Hose Crimping Machine HTP Sprayer HTP Delivery Hose HTP Hose Reel HTP Stand HTP Gun / Lance(Brass Rod Knapsack Power Sprayer Mister / Duster / Granule Spreader HTP Sprayer Set with Diesel Engine HTP Sprayer Set with Kerosene Engine Fogging Machine <p>Milking Machine</p> <ul style="list-style-type: none"> Wood Shredder Fodder Ensiling Chaff Cutter Fodder Grinder Chaff Cutter Fodder Mini Chaff Cutter <p>Harvester</p> <ul style="list-style-type: none"> Maize Sheller Maize Sheller + Dehusker Maize Combine Harvester Onion Digger Carlotta Italy Tea Leaf Harvester Sugarcane Combine Harvester Sugarcane Leaf Stripper <p>Transplanter and Post Hole Digger</p> <ul style="list-style-type: none"> Paddy Transplanter (2 & 8 Rows) Transplanter-Vegetable & Tobacco Post Hole Digger(4" to 14" Augers)
---	---

Troubleshooting.

symptom	cause	recommended action
No broken or low broken rate 1.low rotate speed	1.wrong bolt slice specification 3. worn teeth and claw 4. moist raw materiel	1.confirm the rotate speed 2. replace a new bolt slice 3. replace a new teeth and claw 4.dry the raw materiel
the temperature rise of bearing is too high	1.wrong lubricate oil quality or quantity 2. worn bearing 3. the flow of raw material is too much	1. replace suitable lubricate oil 2. replace bearing 3. control the flow of incoming raw materiel
Noise and liberation of machine	1.loose connection 2. unbalance of moving teeth plate	1.fasten the connection 2. balance the moving teeth plate

Maintenance

1. Keep the lubricant oil of bearing abundant, clean the bearing regularly, add the lubricant oil after 300 hours, pay attention to the temperature of the bearing.
2. Inspect the flat teeth, round teeth, hammer slice, etc. easily worn spare parts, replace a new one.
3. Triangle strap should be tightened or replaced a new one regularly.

Product	Rice Mill with Grinder	KisanKraft Invoice Date	
Brand	KisanKraft	KisanKraft Invoice No.	
Model	☐ KK-RMC-F4C21		
WARRANTY PERIOD	6 MONTHS	FOR THE SPECIFIED PERIOD FROM THE DATE OF SALE OR DELIVERY WHICHEVER IS EARLIER.	
Dealer's Invoice Date		Dealer's Invoice No.	
Buyer's Info (Name, Address, Phone, etc.):		Dealer's Stamp (Address, Phone, TIN, etc.):	
Buyer's Sign		Dealer's Sign	

Warranty Policy

What is covered: KisanKraft Limited and its manufacturers warrant this product to be free from defects in material or workmanship. All parts defective in material and workmanship are covered.

This warranty will only cover defects arising under normal usage.

This warranty is limited to repair or replacement by KisanKraft Limited or its manufacturers of such parts as appear to KisanKraft or its manufacturers, upon inspection, to be defective in material and/or workmanship. KisanKraft or its manufacturers make no warranty with respect to items not manufactured or sold by them. No onsite warranty is provided by KisanKraft Limited or its manufacturers. Defective items must be brought/sent to our Authorized Dealer or KisanKraft Limited's office for service.

What is not covered: The *warranty shall become null and void* and neither KisanKraft Limited nor any of its manufacturers, nor its authorized dealers assume any responsibility, if the failure was caused by the following:

- (1) Operation of product with incorrect fuel or lubricants, (2) Incorrect usage of machine or misuse, (3) Lack of maintenance, (4) Negligence, (5) Accident or physical damage, (6) Repairs made by unauthorized parties and/or with unauthorized parts, (7) Improper set up, adjustments, tampering or altered products (8) Any modification to the product what-so-ever.

Important: (1) Normal maintenance and adjustments to the product is the responsibility of the customer. (2) Normal wear and tear are not covered under warranty. (3) Rubber/plastic parts and consumables such as blades, clutch and clutch-bell, sparkplugs, nylon line, air-filters, fuel-filters, oil seals and gaskets etc. are not covered under the warranty. (4) Electrical Motor, Electrical Parts, Battery Etc. are not covered under the warranty.

Incidental / Consequential Loss: KisanKraft Limited or its manufacturers will not be liable for general damages, including bodily injuries, or for incidental or consequential damages including, but not limited to, loss of use, loss of profits, loss of production, expense of substitute equipment or other commercial loss or damage.

Limitation of Liability: This limited warranty is in lieu of all other express warranties, obligations, or liabilities. Any implied warranties, obligations, or liabilities, including, but not limited to, any implied warranty of merchantability shall be limited in duration to the applicable warranty period. Any action for breach of any warranties hereunder, including, but not limited to, any implied warranty of merchantability must be brought within the applicable warranty period.

Modifications of Warranty: No agent, representative, dealer, or employee of KisanKraft Limited or any of its manufacturers has the authority to increase or alter the obligations of this warranty.

Assignment / Transfer of warranty: The warranty cannot be assigned and shall not transfer if the product is resold by the first buyer. The above warranties are extended to the first end user (original purchaser), and no warranty is made, nor authorized to be made assignable on resale by the first end user.

What you must do to obtain limited warranty service: To obtain performance of any obligation under this warranty for failure during the applicable warranty period, you must deliver the defective product, to the nearest Authorized Dealer, along with proof-of-purchase (invoice/receipt). KisanKraft Limited, its manufacturers and its dealers reserve the right to inspect the claimed defective part(s) to determine if the malfunction is the result of a defect covered by this warranty. Please note that the decision of KisanKraft Limited with respect to any warranty claim is final.

After-sales Service (Including Warranty): KisanKraft Limited does not sell directly to consumers. All sales or supplies are made through Authorized Dealers. It is the responsibility of the Authorized Dealer to provide all after-sales service to consumers. Any warranty claim should be raised by dealer to KisanKraft Limited as per warranty policy.

Jurisdiction: All disputes are subject to Bangalore court's jurisdiction.

Notes:

- This purchase is not contingent upon a product demonstration. The purchaser shall satisfy himself with the product, including any product demonstration or verification of any function, before buying. KisanKraft Limited or its authorized dealers, including online sellers, shall not be liable to give any on-site demonstration after purchase of any of the product.
- Any product once used will not be taken back by KisanKraft Limited.
- Warranty and After Sale Services (including but not limited to installation, Demonstration, Repair, Routine Maintenance etc.), should be done through the Authorized Dealer selling this product.
- Dealers should have their own technician to provide After Sales Services to their Customers. KisanKraft Limited provides free training to Authorized Dealer's technicians at KisanKraft Limited's head office, on request from Authorized Dealer.

16. The machine should run for 1-2 minutes after finishing the material from exit, close the insert board to preventing the dust. After the machine stop running, clean out the remaining of material in the machine in case of moisture, mildew of material, this will affect the quality of the next operation.

Safety Instructions

1. Please read all instructions carefully before first operation, inspect the machine every time, such as if the circle direction is right or not, strap is tight or loose, connecting bolt is tight or not, the cable cord is broken or not etc.
2. The safety cover of strap wheel should not be backout, inspection of the safety is reliable.
3. The working room should be aeration dryness, spacious, equipped with firefighting establishment.
4. The machine can't work normally under low voltage, block may occur, or result in temperature rise of motor and destroy the motor. Avoid work under low voltage. If machine blocked, cut off the power first, unclothe the cover after the machine stops, remove the block by hand turning around the strap wheel, otherwise may result in accident.
5. Metal, stone is prohibited to put into the machine.
6. The following people are prohibited to operation: drunkard, mess minded, long hair, long skirt, age under 16 or above 60, or disable man.
7. High speed is prohibited.
8. People is prohibited to stand in the tangent direction of the circumgyrating parts. Operator should pay attention with tight cuff.
9. Material first and then turns on machine is prohibited.
10. If abnormal noise occurs, cut off the power, inspect after machine stop. Start the work after repair.
11. . Inspect the fastener regularly.
12. The motor should have earth connection in case of electric leak.
13. The operator should not leave the post during working.
14. Cut off the power, clean the machine and working room when finished.
15. If the torn of flat, round teeth or hammer slice of muller exceed 1/3 of the original transect, the units will be replaced to confirm the units reach the requirement of quality and weight.
16. Warranty conditions will not cover the malfunction which is not operated according to our manual instructions, the person hurt, and economy lose which caused by mis operation will be the responsibility of the factory.

Installation And Troubleshooting Operation

1. Power strap wheel and working strap wheel must be fixed in the same plane, triangle strap should be in order, to confirm the machine running direction is the same as the mark.
2. This machine is not equipped with electromotor and electrical controlling box when they leave our factory, customer should select over loading protection and earth connecting motor, the whole machine should have reliable earth connection. Shield should be stalled before operation.
3. Power should be selected according to manual instruction; high speed operation is prohibited.
4. All the circuitry and electrical installation should be in good condition, meet the requirement of power machine, with reliable insulation and convenient control.
5. Customer should equip with relevant current meter, electricity meter, voltage meter and Panel meter.
6. After installation of the machine, complete spare parts and fasten of special parts should be inspected, especially some claw of high-speed running spare parts, the fastener should be reliable.
7. Please read all instructions carefully before operation and understand the content correctly.
8. Open the valve, clean the dust of entry and working room, close the valve, then, running the strap wheel by hand without block, the running should be flexible.
9. Lubricating oil should be abundant.
10. Before operation, the following should be checked: For the muller, the connection of griddle slice should be the same direction of principal axis circumgyrate (see the picture), the aperture of griddle slice should comply with the requirement, seal the cloth bag.
11. Operation should be done only after inspection and safety of people and machine; circle direction of principal axis should be the same as the mark. New machine should run for 5-10 minutes empty, then work normally.
12. Magnetism iron removing is not included in this machine, user could collocate by yourself, inspection should be strict and confirm that metal, stone should be excluded.
13. For muller, when the machine run normally, twitch the insert slice slowly, materiel should be added equally, too much materiel is prohibited.
14. Operation people should stand at the side of materiel entry, hands are prohibited into the entry, cover should not take off when machine running.
15. Warranty conditions will not cover the malfunction which is not operated according to our manual instructions, the person hurt, and economy lose which caused by mis operation will be the responsibility of the factory.

Before Getting Started

Please read this instruction manual carefully before use.

This instruction manual is used to explain the technical performance, use method, connection and installation, common faults in operation of the machine. It guides users to proper operation, use, repair, and maintenance. Proper use of the machine can extend its service life and reduce the failure rate.

Overview

The machine has the characteristics of reasonable matching, beautiful shape, simple and compact structure, convenient operation and maintenance, reliable performance, economic benefits, etc., and it is suitable for urban and rural families, food, brewing, breeding and other industries. This machine has the characteristics of good rice quality, high rice production rate, low power consumption, bright rice and low rice temperature compared with the traditional iron roller rice milling machine. At the same time, because the fine bran is collected by the bran collector, the working environment is clean, and the dust concentration is low.

Operating environment and working conditions

Circumstance: work in normal temperature.

Condition: check before operation that the local power supply is the same specification as our motor label, the working room should be aeration, dryness, spacious, brightness, equipped with firefighting establishment.

Prohibition: Scrap iron, coal, timber, stone, and hard material are prohibited for our machines.

Influence for circumstances and energy sources

Our machine won't pollute circumstances and waste energy if in right operation.

6.Warning

The safety protection cover is built in the two-strap wheel, covers the strap and the wheel, the side without baffle should be placed along the wall, it is designed for the convenience of putting in motor. Child is prohibited in the working room. Our machine is safe for the operator if in right operation.

Structure and working principle

It is consisted of entry, rotor, crush room, fastness tray, powder griddle, cabinet, and rack etc. When the materials enter from entry to crush room equally, bumped and rubbed by fastness tray constantly and speedily they become powder quickly, then come out of the exit by acentric air flow.

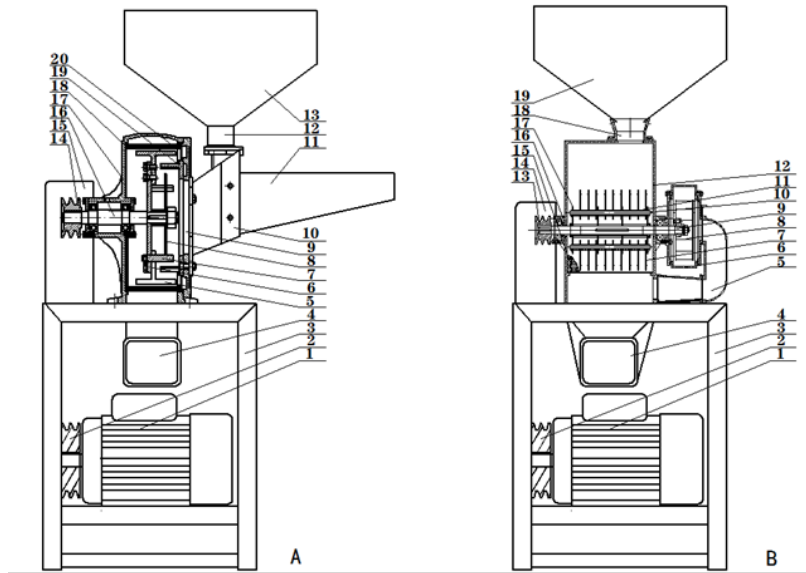


Diagram A:

- 1, motor
- 2, driving wheel
- 3, frame
- 4, discharge hopper
- 5, flat tooth
- 6, movable gear plate
- 7, square tooth

- 8, machete
- 9, valve
- 10, feed hopper seat
- 11, inclined bucket
- 12, round Bucket seat
- 13, round bucket
- 14, driven wheel
- 15, guard

- 16, main shaft
- 17, casing
- 18, screen
- 19, fixed gear plate
- 20, screen ring

Diagram B

- 1, motor
- 2, driving wheel
- 3, frame
- 4, discharge hopper
- 5, elbow
- 6, fan casing
- 7, hammer

- 8, fan blade
- 9, main shaft
- 10, hammer shaft
- 11, spacer sleeve
- 12, machine Shell
- 13, driven wheel
- 14, guard

- 15, screen
- 16, bearing seat
- 17, connecting plate
- 18, bucket seat 19, round bucket

Technical Specification:

Rated Power:	2.23 kW (3 hp)
Voltage:	220 V
Frequency:	50 HZ
Spindle speed	2800 RPM
Flour Productivity	120 - 140 kg/h
Mill Productivity	160 - 200 kg/h

Note: Product specifications are subject to change without prior notice.