

but not limited to, loss of use, loss of profits, loss of production, expense of substitute equipment or other commercial loss or damage.

Limitation of Liability: This limited warranty is in lieu of all other express warranties, obligations, or liabilities. Any implied warranties, obligations or liabilities, including, but not limited to, any implied warranty of merchantability shall be limited in duration to the applicable warranty period. Any action for breach of any warranties hereunder, including, but not limited to, any implied warranty of merchantability must be brought within the applicable warranty period.

Modifications of Warranty: No agent, representative, dealer, or employee of KisanKraft Limited or any of its manufacturers has the authority to increase or alter the obligations of this warranty.

Assignment / Transfer of warranty: The warranty cannot be assigned and shall not transfer if the product is resold by the first buyer. The above warranties are extended to the first end user (original purchaser), and no warranty is made, nor authorized to be made assignable on resale by the first end user.

What you must do to obtain limited warranty service: To obtain performance of any obligation under this warranty for failure during the applicable warranty period, you must deliver the defective product, to the nearest Authorized Dealer, along with proof-of-purchase (invoice/receipt). KisanKraft Limited, its manufacturers and its dealers reserve the right to inspect the claimed defective part(s) to determine if the malfunction is the result of a defect covered by this warranty. Please note that the decision of KisanKraft Limited with respect to any warranty claim is final.

After-sales Service (Including Warranty): KisanKraft Limited does not sell directly to consumers. All sales or supplies are made through Authorized Dealers. It is the responsibility of the Authorized Dealer to provide all after-sales service to consumers. Any warranty claim should be raised by dealer to KisanKraft Limited as per warranty policy.

Jurisdiction: All disputes are subject to Bangalore court's jurisdiction.

Notes:

- This purchase is not contingent upon a product demonstration. The purchaser shall satisfy himself with the product, including any product demonstration or verification of any function, before buying. KisanKraft Limited or its authorized dealers, including online sellers, shall not be liable to give any on-site demonstration after purchase of any of the product.
- Any product once used will not be taken back by KisanKraft Limited.
- Warranty and After Sale Services (including but not limited to installation, Demonstration, Repair, Routine Maintenance etc.), should be done through the Authorized Dealer selling this product.
- Dealers should have their own technician to provide After Sales Services to their Customers. KisanKraft Limited provides free training to Authorized Dealer's technicians at KisanKraft Limited's head office, on request from Authorized Dealer.

This warranty is null & void, if you fail to register the warranty with KisanKraft by sending the KisanKraft Copy with dealer's stamp.

Product	Rice Mill	KisanKraft Invoice Date	
Brand	KisanKraft	KisanKraft Invoice No.	
Model	☐ KK-RM-6NF4X		
WARRANTY PERIOD	6 MONTHS	FOR THE SPECIFIED PERIOD FROM THE DATE OF SALE OR DELIVERY WHICHEVER IS EARLIER.	
Dealer's Invoice Date		Dealer's Invoice No.	
Buyer's Info (Name, Address, Phone, etc.):		Dealer's Stamp (Address, Phone, TIN, etc.):	
Buyer's Sign		Dealer's Sign	

Warranty Policy

What is covered: KisanKraft Limited and its manufacturers warrant this product to be free from defects in material or workmanship. All parts defective in material and workmanship are covered. This warranty will only cover defects arising under normal usage.

This warranty is limited to repair or replacement by KisanKraft Limited or its manufacturers of such parts as appear to KisanKraft or its manufacturers, upon inspection, to be defective in material and/or workmanship. KisanKraft or its manufacturers make no warranty with respect to items not manufactured or sold by them. No onsite warranty is provided by KisanKraft Limited or its manufacturers. Defective items must be brought/sent to our Authorized Dealer or KisanKraft Limited's office for service.

What is not covered: The *warranty shall become null and void* and neither KisanKraft Limited nor any of its manufacturers, nor its authorized dealers assumes any responsibility, if the failure was caused by the following:

- (1) Operation of product with incorrect fuel or lubricants, (2) Incorrect usage of machine or misuse, (3) Lack of maintenance, (4) Negligence, (5) Accident or physical damage, (6) Repairs made by unauthorized parties and/or with unauthorized parts, (7) Improper set up, adjustments, tampering or altered products (8) Any modification to the product what-so-ever.

Important: (1) Normal maintenance and adjustments to the product is the responsibility of the customer. (2) Normal wear and tear are not covered under warranty. (3) Rubber/plastic parts and consumables such as blades, clutch and clutch-bell, sparkplugs, nylon line, air-filters, fuel-filters, oil seals and gaskets etc. are not covered under the warranty. (4) Electrical Motor, Electrical Parts, Battery Etc. are not covered under the warranty.

Incidental / Consequential Loss: KisanKraft Limited or its manufacturers will not be liable for general damages, including bodily injuries, or for incidental or consequential damages including, but not

limited to, loss of use, loss of profits, loss of production, expense of substitute equipment or other commercial loss or damage.

Limitation of Liability: This limited warranty is in lieu of all other express warranties, obligations, or liabilities. Any implied warranties, obligations or liabilities, including, but not limited to, any implied warranty of merchantability shall be limited in duration to the applicable warranty period. Any action for breach of any warranties hereunder, including, but not limited to, any implied warranty of merchantability must be brought within the applicable warranty period.

Modifications of Warranty: No agent, representative, dealer, or employee of KisanKraft Limited or any of its manufacturers has the authority to increase or alter the obligations of this warranty.

Assignment / Transfer of warranty: The warranty cannot be assigned and shall not transfer if the product is resold by the first buyer. The above warranties are extended to the first end user (original purchaser), and no warranty is made, nor authorized to be made assignable on resale by the first end user.

What you must do to obtain limited warranty service: To obtain performance of any obligation under this warranty for failure during the applicable warranty period, you must deliver the defective product, to the nearest Authorized Dealer, along with proof-of-purchase (invoice/receipt). KisanKraft Limited, its manufacturers and its dealers reserve the right to inspect the claimed defective part(s) to determine if the malfunction is the result of a defect covered by this warranty. Please note that the decision of KisanKraft Limited with respect to any warranty claim is final.

After-sales Service (Including Warranty): KisanKraft Limited does not sell directly to consumers. All sales or supplies are made through Authorized Dealers. It is the responsibility of the Authorized Dealer to provide all after-sales service to consumers. Any warranty claim should be raised by dealer to KisanKraft Limited as per warranty policy.

Jurisdiction: All disputes are subject to Bangalore court's jurisdiction.

Notes:

- This purchase is not contingent upon a product demonstration. The purchaser shall satisfy himself with the product, including any product demonstration or verification of any function, before buying. KisanKraft Limited or its authorized dealers, including online sellers, shall not be liable to give any on-site demonstration after purchase of any of the product.
- Any product once used will not be taken back by KisanKraft Limited.
- Warranty and After Sale Services (including but not limited to installation, Demonstration, Repair, Routine Maintenance etc.), should be done through the Authorized Dealer selling this product.
- Dealers should have their own technician to provide After Sales Services to their Customers. KisanKraft Limited provides free training to Authorized Dealer's technicians at KisanKraft Limited's head office, on request from Authorized Dealer...

Product	Rice Mill	KisanKraft Invoice Date	
Brand	KisanKraft	KisanKraft Invoice No.	
Model	☐ KK-RM-6NF4X		
WARRANTY PERIOD	6 MONTHS	FOR THE SPECIFIED PERIOD FROM THE DATE OF SALE OR DELIVERY WHICHEVER IS EARLIER.	
Dealer's Invoice Date		Dealer's Invoice No.	
Buyer's Info (Name, Address, Phone, etc.):		Dealer's Stamp (Address, Phone, TIN, etc.):	
Buyer's Sign		Dealer's Sign	

Warranty Policy

What is covered: KisanKraft Limited and its manufacturers warrant this product to be free from defects in material or workmanship. All parts defective in material and workmanship are covered.

This warranty will only cover defects arising under normal usage.

This warranty is limited to repair or replacement by KisanKraft Limited or its manufacturers of such parts as appear to KisanKraft or its manufacturers, upon inspection, to be defective in material and/or workmanship. KisanKraft or its manufacturers make no warranty with respect to items not manufactured or sold by them. No onsite warranty is provided by KisanKraft Limited or its manufacturers. Defective items must be brought/sent to our Authorized Dealer or KisanKraft Limited's office for service.

What is not covered: The *warranty shall become null and void* and neither KisanKraft Limited nor any of its manufacturers, nor its authorized dealers assumes any responsibility, if the failure was caused by the following:

- (1) Operation of product with incorrect fuel or lubricants,
- (2) Incorrect usage of machine or misuse,
- (3) Lack of maintenance,
- (4) Negligence,
- (5) Accident or physical damage,
- (6) Repairs made by unauthorized parties and/or with unauthorized parts,
- (7) Improper set up, adjustments, tampering or altered products
- (8) Any modification to the product what-so-ever.

Important: (1) Normal maintenance and adjustments to the product is the responsibility of the customer. (2) Normal wear and tear are not covered under warranty. (3) Rubber/plastic parts and consumables such as blades, clutch and clutch-bell, sparkplugs, nylon line, air-filters, fuel-filters, oil seals and gaskets etc. are not covered under the warranty. (4) Electrical Motor, Electrical Parts, Battery Etc. are not covered under the warranty.

Incidental / Consequential Loss: KisanKraft Limited or its manufacturers will not be liable for general damages, including bodily injuries, or for incidental or consequential damages including,

This warranty is null & void, if you fail to register the warranty with KisanKraft by sending the KisanKraft Copy with dealer's stamp.



Wide Range of Products for Every Need



For more information give **MISSED CALL: 07676065555**



Many of our products have BIS: ISI certification.



User Manual



KisanKraft Limited

Warehouse: 818 3B1 to 818 3B18, Podalakur - Sangam Road, Prabagiriapatnam, Podalakur, Nellore - 524345, Andhra Pradesh, INDIA

Head Office: Sri Huchhanna Tower, #4, 1st Main, 7-A Cross, Maruthi Layout, Dasarahalli, HAF Post, Hebbal, Bangalore 560024, Karnataka, INDIA

- ◆ Bangalore (HO) ◆ Ahmedabad ◆ Bhopal ◆ Bhubaneswar ◆ Coimbatore
- ◆ Guwahati ◆ Hubli ◆ Hyderabad ◆ Jaipur ◆ Karnal
- ◆ Kolkata ◆ Lucknow ◆ Nellore ◆ Pune ◆ Raipur



Scan the QR code to download
KisanKraft App

App is available on Google Play



Scan the QR code for
KisanKraft Youtube Channel

YouTube

CONTENTS

Before Getting Started 7

Safety Precautions 7

Operating environment and working conditions..... 8

Structural characteristics and working principle 9

Installation, Commissioning and Operation 12

Maintenance 15

Technical Specification:..... 16

KisanKraft has a large range of products to serve the farmers. A list of our products is given below:

<p>Brush Cutters and Accessories</p> <ul style="list-style-type: none"> Brush Cutter/Power Weeder Backpack Brush Cutter Tea Pruner Pole pruner with Engine Reaper Attachment Blades-Circular Blades (2 &3 points) Baffle Nylon Rope Tap & Go <p>Chainsaws</p> <ul style="list-style-type: none"> Petrol Chainsaw Electric Chainsaw Chain Sharpening Machine <p>Engines and Water Pumps</p> <ul style="list-style-type: none"> Engine –Diesel-(Horizontal) Engine –Diesel(Vertical) Engine-Kerosene Water Pump with Petrol Engine Water Pump with Kerosene Engine Water Pump with Diesel Engine <p>Hand Tools</p> <ul style="list-style-type: none"> Secateurs Folding Saw Garden Rake Garden Shovel Hedge Shear Lopper Telescopic Hedge Shear Telescopic Lopping Shear Tree Pruner Telescopic Steel Pipe & Fruit Picker Bag Sheep Shear <p>Garden Tools</p> <ul style="list-style-type: none"> Electric Pressure Washer Hedge Trimmer Lawn Mower (Electric, Petrol & Manual) Leaf Blower 	<p>Cultivators and Accessories</p> <ul style="list-style-type: none"> Petrol and Diesel <p>Sprayers and Accessories</p> <ul style="list-style-type: none"> Battery Sprayer Portable Power Sprayer Trolley Sprayer Manual Knapsack Sprayer Manual Pressure Sprayer Rose Cans Hose Crimping Machine HTP Sprayer HTP Delivery Hose HTP Hose Reel HTP Stand HTP Gun / Lance(Brass Rod Knapsack Power Sprayer Mister / Duster / Granule Spreader HTP Sprayer Set with Diesel Engine HTP Sprayer Set with Kerosene Engine Fogging Machine <p>Milking Machine</p> <ul style="list-style-type: none"> Wood Shredder Fodder Ensiling Chaff Cutter Fodder Grinder Chaff Cutter Fodder Mini Chaff Cutter <p>Harvester</p> <ul style="list-style-type: none"> Maize Sheller Maize Sheller + Dehusker Maize Combine Harvester Onion Digger Carlotta Italy Tea Leaf Harvester Sugarcane Combine Harvester Sugarcane Leaf Stripper <p>Transplanter and Post Hole Digger</p> <ul style="list-style-type: none"> Paddy Transplanter (2 & 8 Rows) Transplanter-Vegetable & Tobacco Post Hole Digger(4" to 14" Augers)
---	---

Technical Specification:

Rice Mill	
Rated Power:	2.23 kW (3 hp)
Voltage:	220 V
Frequency:	50 HZ
Spindle Speed	2800 RPM
Productivity:	120 - 180 kg/h

Product	Rice Mill	KisanKraft Invoice Date	
Brand	KisanKraft	KisanKraft Invoice No.	
Model	<input checked="" type="checkbox"/> KK-RM-6NF4X		
WARRANTY PERIOD	6 MONTHS	FOR THE SPECIFIED PERIOD FROM THE DATE OF SALE OR DELIVERY WHICHEVER IS EARLIER.	
Dealer's Invoice Date		Dealer's Invoice No.	
Buyer's Info (Name, Address, Phone, etc.):		Dealer's Stamp (Address, Phone, TIN, etc.):	
Buyer's Sign		Dealer's Sign	

Warranty Policy

What is covered: KisanKraft Limited and its manufacturers warrant this product to be free from defects in material or workmanship. All parts defective in material and workmanship are covered. This warranty will only cover defects arising under normal usage.

This warranty is limited to repair or replacement by KisanKraft Limited or its manufacturers of such parts as appear to KisanKraft or its manufacturers, upon inspection, to be defective in material and/or workmanship. KisanKraft or its manufacturers make no warranty with respect to items not manufactured or sold by them. No onsite warranty is provided by KisanKraft Limited or its manufacturers. Defective items must be brought/sent to our Authorized Dealer or KisanKraft Limited's office for service.

What is not covered: The warranty shall become null and void and neither KisanKraft Limited nor any of its manufacturers, nor its authorized dealers assumes any responsibility, if the failure was caused by the following:

- (1) Operation of product with incorrect fuel or lubricants, (2) Incorrect usage of machine or misuse, (3) Lack of maintenance, (4) Negligence, (5) Accident or physical damage, (6) Repairs made by unauthorized parties and/or with unauthorized parts, (7) Improper set up, adjustments, tampering or altered products (8) Any modification to the product what-so-ever.

Important: (1) Normal maintenance and adjustments to the product is the responsibility of the customer. (2) Normal wear and tear are not covered under warranty. (3) Rubber/plastic parts and consumables such as blades, clutch and clutch-bell, sparkplugs, nylon line, air-filters, fuel-filters, oil seals and gaskets etc. are not covered under the warranty. (4) Electrical Motor, Electrical Parts, Battery Etc. are not covered under the warranty.

Incidental / Consequential Loss: KisanKraft Limited or its manufacturers will not be liable for general damages, including bodily injuries, or for incidental or consequential damages including, but not

limited to, loss of use, loss of profits, loss of production, expense of substitute equipment or other commercial loss or damage.

Limitation of Liability: This limited warranty is in lieu of all other express warranties, obligations, or liabilities. Any implied warranties, obligations or liabilities, including, but not limited to, any implied warranty of merchantability shall be limited in duration to the applicable warranty period. Any action for breach of any warranties hereunder, including, but not limited to, any implied warranty of merchantability must be brought within the applicable warranty period.

Modifications of Warranty: No agent, representative, dealer, or employee of KisanKraft Limited or any of its manufacturers has the authority to increase or alter the obligations of this warranty.

Assignment / Transfer of warranty: The warranty cannot be assigned and shall not transfer if the product is resold by the first buyer. The above warranties are extended to the first end user (original purchaser), and no warranty is made, nor authorized to be made assignable on resale by the first end user.

What you must do to obtain limited warranty service: To obtain performance of any obligation under this warranty for failure during the applicable warranty period, you must deliver the defective product, to the nearest Authorized Dealer, along with proof-of-purchase (invoice/receipt). KisanKraft Limited, its manufacturers and its dealers reserve the right to inspect the claimed defective part(s) to determine if the malfunction is the result of a defect covered by this warranty. Please note that the decision of KisanKraft Limited with respect to any warranty claim is final.

After-sales Service (Including Warranty): KisanKraft Limited does not sell directly to consumers. All sales or supplies are made through Authorized Dealers. It is the responsibility of the Authorized Dealer to provide all after-sales service to consumers. Any warranty claim should be raised by dealer to KisanKraft Limited as per warranty policy.

Jurisdiction: All disputes are subject to Bangalore court's jurisdiction.

Notes:

- This purchase is not contingent upon a product demonstration. The purchaser shall satisfy himself with the product, including any product demonstration or verification of any function, before buying. KisanKraft Limited or its authorized dealers, including online sellers, shall not be liable to give any on-site demonstration after purchase of any of the product.
- Any product once used will not be taken back by KisanKraft Limited.
- Warranty and After Sale Services (including but not limited to installation, Demonstration, Repair, Routine Maintenance etc.), should be done through the Authorized Dealer selling this product.
- Dealers should have their own technician to provide After Sales Services to their Customers. KisanKraft Limited provides free training to Authorized Dealer's technicians at KisanKraft Limited's head office, on request from Authorized Dealer.

No.	Faults	Fault cause	Troubleshooting
		4. Lubricating grease is not clean	4. Replace the lubricating grease
9	Large vibration of machine abnormal sound	1. The matter enter the machine 2. Main axis worn 3. Rice machine is not fastened 4. Bearing damaged	1. Stop the machine and remove the matters 2. Stop the machine for inspection and replace the main axis 3. Fasten the rice mill 4. Replace the bearing
10	Main axis blocked	1. Input materials increase sharply 2. The outlet pressure is too high	1. After stopping the machine, turn off the power supply and close the feeding inlet. Turn the main axis pulley by hand until the excess materials in the rice milling chamber are cleaned 2. Reduce the outlet pressure

Maintenance

1. The lubricating oil in the bearing shall be sufficient and clean, and the bearing shall be cleaned regularly. Generally, the lubricating oil shall be added once after 300 hours of using. Pay attention to the bearing temperature during using.
2. Inspection shall be carried out for wearing parts frequently such as rice roller and screen plate, and new parts shall be replaced in case of wear or loss of performance of the parts.
3. Triangle belt will slip after long-term using. It should be checked and adjusted or replaced in
4. The working place must be cleaned, and all feeding inlets must be closed after using.

No.	Faults	Fault cause	Troubleshooting
			3. Remove impurities and dry before processing
3	Rice precision decreased	1. the feeding inlet flow is too small. 2. The outlet pressure is too small 3. The rice roller, screen plate or screw propeller are seriously worn	1. Enlarge the flow 2. Increase the pressure of rice milling chamber 3. Replace the main axis and screen plate
4	Bran in the rice	1. production is too large. 2. Fan rotation failure 3. Rice screen blocked 4. Rice moisture is too high	1. Reduce production 2. Tension the triangle belt 3. Clean the rice screen 4. Adjust the dry humidity of rice
5	Unhusked rice occurred	Too low pressure in rice milling chamber	Adjust the pressure spring to increase the pressure in the rice milling chamber
6	High rice temperature	1. The material flow in the rice milling chamber is not smooth 2. Too much pressure in rice milling chamber 3. The moisture content of raw grain is too high	1. Clean the rice milling chamber 2. Adjust the pressure spring to reduce the pressure in the rice milling chamber 3. Processing after drying
7	Excessive or sharp increase of current	1. Rapid increase of feeding inlet flow 2. The rice milling chamber is blocked and the material flow is not smooth 3. The pressure spring is too tight or block 4. There are matters in the working place	1. Adjust the feed inlet knob to reduce the feeding flow 2. Clean the rice milling chamber 3. Adjust the pressure spring 4. Stop the machine and troubleshooting
8	Bearing seat heating	1. Bearing damage 2. Belt installation is too tight 3. Too much or too little lubricating grease in bearing seat	1. Replace the bearing 2. Adjust the belt tightness 3. Reduce or increase lubricating grease

Before Getting Started

Please read this instruction manual carefully before use.

This instruction manual is used to explain the technical performance, use method, connection and installation, common faults in operation of the machine. It guides users to proper operation, use, repair, and maintenance. Proper use of the machine can extend its service life and reduce the failure rate.

Safety Precautions

Please check the machine before the first use.

KK-RM-6NF4X

- It is necessary to read the operation manual in detail when using the machine for the first time. It shall develop the habit of routine inspection of the machine in advance before using, such as whether the rotation direction is correct, whether the belt is tight or loose, whether the connecting bolts are tight, whether the wires are damaged, and whether the carrying capacity of the wires meets the requirements.
- It is not allowed to remove the belt pulley safety cover without permission and check whether the safety cover is reliable and effective.
- The working site shall be spacious, ventilated, with enough space for draw back and equipped with reliable fire-fighting equipment.
- The machine will not play its normal function on the condition of the voltage is too low, especially it will cause the machine to be blocked, and also cause the motor to heat up and burn down. Therefore, it should be avoided to use when the voltage is too low. In case of blocking occur, it shall disconnect the power supply first, and then open the cover after the machine stop. Turn the pulley by hand to remove the blocks, otherwise it may lead to safety accidents.
- Check whether there are metal and hard sundries in the working room before using. The metal or hard sundries in the processed materials must be removed before using again. Metal, stone, and other hard sundries are not allowed to enter the machine during the processing.
- Do not allow minors to operate the machine and not allow operate the machine after drinking.
- It is forbidden to start the machine after charging in.
- In case of any abnormal sound and other unsafe conditions, the operator shall cut off the power immediately and check it after the machine stops operating. It is forbidden to remove the fault while the machine is still running. The machine can be restarted only after failures removed.
- When the motor is used for power supply, the motor shall be grounded to prevent electric shock.

10. The operator shall not leave the post during the operating process
11. Cut off the power supply and clean the machine and site at the end of the work.
12. . The company will not be responsible for the personal injury and economic loss caused by the installation and use of the machine are not in accordance with the requirements of the operation manual and the safety precautions.
13. The user shall contact the manufacturer after the safety sign is worn or lost and make up in time.

Overview

The machine has the characteristics of reasonable matching, beautiful shape, simple and compact structure, convenient operation and maintenance, reliable performance, economic benefits, etc., and it is suitable for urban and rural families, food, brewing, breeding and other industries. This machine has the characteristics of good rice quality, high rice production rate, low power consumption, bright rice and low rice temperature compared with the traditional iron roller rice milling machine. At the same time, because the fine bran is collected by the bran collector, the working environment is clean, and the dust concentration is low.

Operating environment and working conditions

Environmental conditions for use: normal temperature

Working conditions: the voltage must meet the normal use requirements of the matched motor. The workplace shall be ventilated, dry, spacious, bright, and equipped with fire-fighting facilities.

Forbidden information of machine: this machine can only be used for rice processing. It is forbidden to use it for processing any other materials.

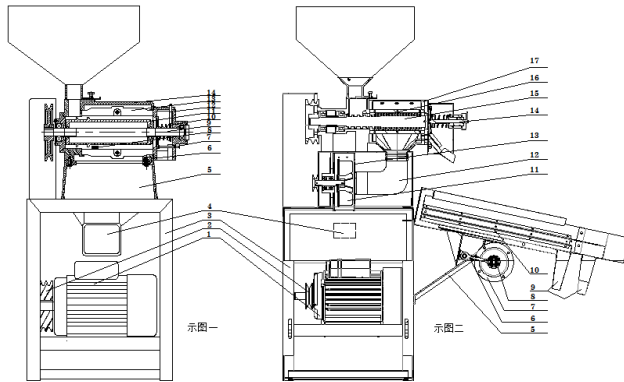
Impact on environment and energy: This product will not cause environmental pollution and energy waste when it is used correctly

7. Before starting the machine, the collection bag shall be tied and turn off the feeding outlet by feeding switch knob.
8. When all checks are completed, it can start the test operation after confirming that the machine is in normal and ensure the human-machine safety, and check whether the rotation direction of the main shaft is consistent with the mark of the main shaft. The new machine must run for 5-10 minutes without any load, and it can work normally only if there is no abnormality.
9. Slowly open the feeding inlet after the machine operates normally when using the rice mill, adjust the flow of the rice mill to a certain position, and observe whether the rice outlet meets the requirements of the finished rice. When the accuracy is low, the feeding inlet or the pressure spring can be adjusted to control the size of the outlet to make the rice accuracy meet the normal requirements. For example, if the opening of the feeding inlet is too large or the opening of the outlet is too small, the rice breaking rate is high. In serious cases, it will cause overload and crashing. If the opening of the feeding inlet is too small or the opening of the outlet is too large, the rice output is relatively rough.
10. The operator shall stand at the side of the feeding inlet, and the hands shall not enter into the feeding inlet. It is forbidden to open the cover during operation.
11. When the feeding inlet is blocked, it is forbidden to feed by hands, hardwood bars, iron bars and others forced. Stop the machine and cut off the power supply when removing the blocking.
12. After the material at the outlet is discharged, it shall be operated without load for 1-2 minutes, and close the feeding inlet, stop the machine after the material is cleared in the machine.

Common Faults and Troubleshooting

No.	Faults	Fault cause	Troubleshooting
1	Decline of production	1. The screw propeller is seriously worn 2. Rice roller is seriously worn 3. The feeding inlet is blocked	1. Replace the main axis 2. Replace the main axis 3. Clean the feeding inlet
2	Much broken rice in the finished product	1. Rice roller has burr 2. Excessive pressure in rice milling chamber 3. The inlet rice contains too many impurities, poor quality or too high or too low moisture	1. repair the rice roller 2. Adjusting the pressure spring to reduce the pressure in the rice milling chamber

After the rice enters the feeding hopper, the material moves along the axial direction under the action of the screw propeller and enters the rice milling chamber through the feed switch; Under the action of rice roller, the materials turn over, resulting in mutual friction between materials to achieve peeling; under the action of extrusion between materials, rice bran enters into the bran chamber through rice screen, and is discharged out under the action of negative pressure of fan, rice enters into the milling chamber, and under the action of pressure regulating handle, it can reach the effect of milling on its self-friction, so as to obtain bright and clean finished rice.

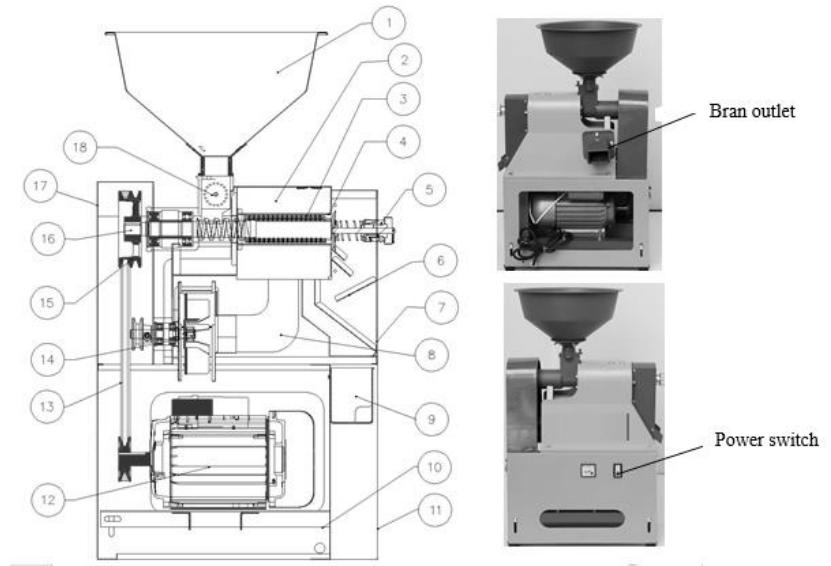


Installation, Commissioning and Operation

1. The collection bag shall be tied, and the feeding hopper shall be installed and tightly sealed when the machine is used for the first time.
2. For the model without motor and electric control box when the machine leaves the factory, the user shall select the motor with overload protection device and grounding device when the motor is equipped, and whole machine shall ground reliable. The protective cover must be installed before use.
3. It shall select according to the technical parameters in the rice mill nameplate when the user selects the power machine, and overspeed operation is prohibited.
4. All lines and electrical devices must be in good condition, and it can meet the current carrying requirements of the power machine, and it shall have reliable insulation and convenient control.
5. After the machine is installed, the integrity of all parts and the fastening of all parts must be checked. In particular, the high-speed running parts and safety protection devices must be fastened firmly, whether the adjustment mechanism and transmission structure are flexible and free of abnormal sound.
6. Open the pulley cover and turn the pulley by hand, it shall be free of blocking and flexible.

Structural characteristics and working principle

The machine is composed of feeding hopper, feeding control, main shaft (including screw propeller and rice roller), rice milling room, rice screen, adjustment structure of rice output, elbow, fan, rice outlet, etc.

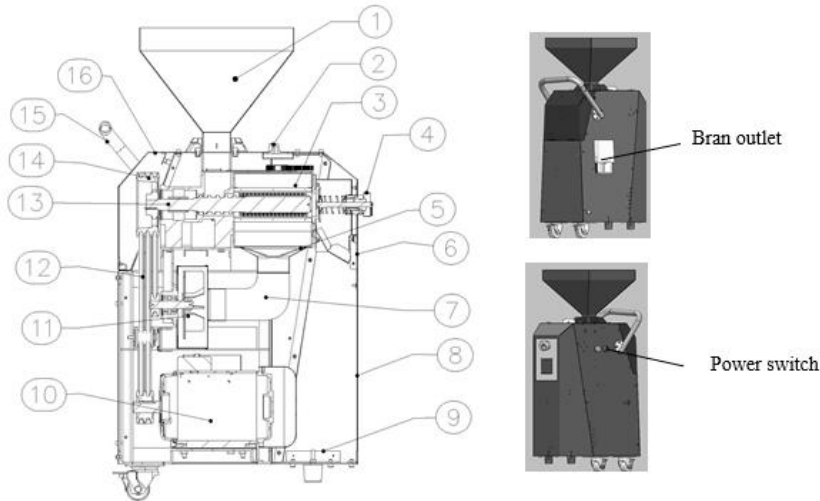


1. Feeding hopper
2. bran chamber
3. rice screen
4. rice milling chamber
5. pressure regulating handle
6. Broken rice separation flow screen
7. rice outlet
8. elbow
9. Broken rice collector

10. frame
11. Machine cover
12. Motor
13. Triangle belt
14. Fan
15. Belt pulley
16. Main shaft
17. Safety cover
18. Feeding regulating knob

Structure diagram (KK-RM-6NF4X A)

The machine is composed of feeding hopper, feeding control, main shaft (including screw propeller and rice roller), rice milling room, rice screen, adjustment structure of rice output, elbow, fan, rice outlet, etc.



- | | | |
|--|------------------|-------------------|
| 1 Feeding hopper | 5. Bran chamber | 11. Fan |
| 2. Feeding outlet regulating knob switch | 6. Rice outlet | 12. Triangle belt |
| 3. Rice screen | 7. Elbow | 13. Main shaft |
| 4. Pressure regulating handle | 8. Machine cover | 14. Belt pulley |
| | 9. Frame | 15. Handle |
| | 10. Motor | 16. Pulley Cover |

KK-RM-6NF4X is composed of feed hopper, feed control, main shaft (including screw propeller, rice roller), rice milling chamber, rice sieve, rice output adjustment structure, elbow, fan, rice outlet and other parts, according to user needs, you can add a screening mechanism, which consists of a bracket, a motor, an eccentric wheel, a connecting rod, a screen, and a discharge port.

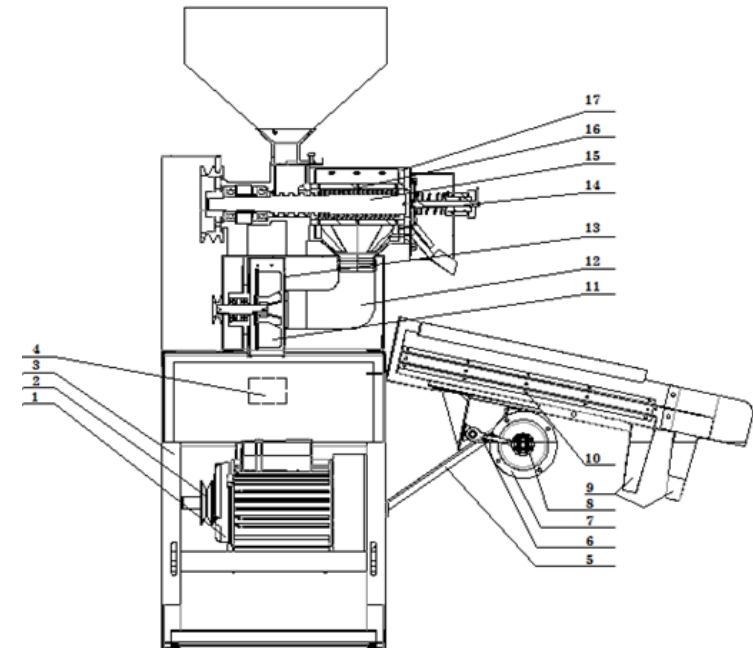


Diagram 2 (KK-RM-6NF4X):

- | | |
|----------------------------|-----------------|
| 1. Motor | 16, rice screen |
| 2, driving wheel | 17 housing |
| 3, frame | |
| 4, chaff outlet | |
| 5, bracket | |
| 6, connecting rod | |
| 7, vibrating motor | |
| 8, eccentric wheel | |
| 9, discharge port | |
| 10, sieve plate | |
| 11, fan | |
| 12, Elbow | |
| 13, fan housing | |
| 14, adjustment mechanism | |
| 15, main shaft with roller | |