

Product	Agricultural Inter-Cultivator	KisanKraft Invoice Date	
Brand	KisanKraft	KisanKraft Invoice No.	
Model	□ KK-IC-650D		
WARRANTY PERIOD	6 MONTHS	FOR THE SPECIFIED PERIOD FROM THE DATE OF SALE OR DELIVERY WHICHEVER IS EARLIER.	
Dealer's Invoice Date		Dealer's Invoice No.	
Buyer's Info (Name, Address, Phone, etc.):		Dealer's Stamp (Address, Phone, TIN, etc.):	
Buyer's Sign		Dealer's Sign	

Warranty Policy

What is covered: KisanKraft Limited and its manufacturers warrant this product to be free from defects in material or workmanship. All parts defective in material and workmanship are covered.

This warranty will only cover defects arising under normal usage.

This warranty is limited to repair or replacement by KisanKraft Limited or its manufacturers of such parts as appear to KisanKraft or its manufacturers, upon inspection, to be defective in material and/or workmanship. KisanKraft or its manufacturers make no warranty with respect to items not manufactured or sold by them. No onsite warranty is provided by KisanKraft Limited or its manufacturers. Defective items must be brought/sent to our Authorized Dealer or KisanKraft Limited's office for service.

What is not covered: The *warranty shall become null and void* and neither KisanKraft Limited nor any of its manufacturers, nor its authorized dealers assume any responsibility, if the failure was caused by the following:

(1) Operation of product with incorrect fuel or lubricants, (2) Incorrect usage of machine or misuse, (3) Lack of maintenance, (4) Negligence, (5) Accident or physical damage, (6) Repairs made by unauthorized parties and/or with unauthorized parts, (7) Improper set up, adjustments, tampering or altered products (8) Any modification to the product what-so-ever.

Important: (1) Normal maintenance and adjustments to the product is the responsibility of the customer. (2) Normal wear and tear are not covered under warranty. (3) Rubber/plastic parts and consumables such as blades, clutch and clutch-bell, sparkplugs, nylon line, air-filters, fuel-filters, oil seals and gaskets etc. are not covered under the warranty. (4) Electrical Motor, Electrical Parts, Battery Etc. are not covered under the warranty.

Incidental / Consequential Loss: KisanKraft Limited or its manufacturers will not be liable for general damages, including bodily injuries, or for incidental or consequential damages including, but not limited to, loss of use, loss of profits, loss of production, expense of substitute equipment or other commercial loss or damage.

Limitation of Liability: This limited warranty is in lieu of all other express warranties, obligations, or liabilities. Any implied warranties, obligations, or liabilities, including, but not

limited to, any implied warranty of merchantability shall be limited in duration to the applicable warranty period. Any action for breach of any warranties hereunder, including, but not limited to, any implied warranty of merchantability must be brought within the applicable warranty period.

Modifications of Warranty: No agent, representative, dealer, or employee of KisanKraft Limited or any of its manufacturers has the authority to increase or alter the obligations of this warranty.

Assignment / Transfer of warranty: The warranty cannot be assigned and shall not transfer if the product is resold by the first buyer. The above warranties are extended to the first end user (original purchaser), and no warranty is made, nor authorized to be made assignable on resale by the first end user.

What you must do to obtain limited warranty service: To obtain performance of any obligation under this warranty for failure during the applicable warranty period, you must deliver the defective product, to the nearest Authorized Dealer, along with proof-of-purchase (invoice/receipt). KisanKraft Limited, its manufacturers and its dealers reserve the right to inspect the claimed defective part(s) to determine if the malfunction is the result of a defect covered by this warranty. Please note that the decision of KisanKraft Limited with respect to any warranty claim is final.

After-sales Service (Including Warranty): KisanKraft Limited does not sell directly to consumers. All sales or supplies are made through Authorized Dealers. It is the responsibility of the Authorized Dealer to provide all after-sales service to consumers. Any warranty claim should be raised by dealer to KisanKraft Limited as per warranty policy.

Jurisdiction: All disputes are subject to Bangalore court's jurisdiction.

Notes:

- This purchase is not contingent upon a product demonstration. The purchaser shall satisfy himself with the product, including any product demonstration or verification of any function, before buying. KisanKraft Limited or its authorized dealers, including online sellers, shall not be liable to give any on-site demonstration after purchase of any of the product.
- Any product once used will not be taken back by KisanKraft Limited.
- Warranty and After Sale Services (including but not limited to installation, Demonstration, Repair, Routine Maintenance etc.), should be done through the Authorized Dealer selling this product.
- Dealers should have their own technician to provide After Sales Services to their Customers. KisanKraft Limited provides free training to Authorized Dealer's technicians at KisanKraft Limited's head office, on request from Authorized Dealer.

User Manual



KisanKraft Limited

Warehouse: 818 3B1 to 818 3B18, Podalukur - Sangam Road, Prabagiripatnam,
Podalukur, Nellore - 524345, Andhra Pradesh, INDIA

Head Office: Sri Huchhanna Tower, #4, 1st Main, 7-A Cross, Maruthi Layout,
Dasarahalli, HAF Post, Hebbal, Bangalore 560024, Karnataka, INDIA

- ◆ Bangalore (HO) ◆ Ahmedabad ◆ Bhopal ◆ Bhubaneswar ◆ Coimbatore
- ◆ Guwahati ◆ Hubli ◆ Hyderabad ◆ Jaipur ◆ Karnal
- ◆ Kolkata ◆ Lucknow ◆ Nellore ◆ Pune ◆ Raipur



Scan the QR code to download
KisanKraft App

App is available on



Scan the QR code for
KisanKraft Youtube Channel



CONTENTS

Before Getting Started	7
Application	7
Safety Instructions	7
Product Overview	13
Installation Method	14
Operation Instructions	15
Maintenance	17
Adjustment methods and data	19
Technical Specification	21
Part Diagram	22

Product	Agricultural Inter-Cultivator	KisanKraft Invoice Date	
Brand	KisanKraft	KisanKraft Invoice No.	
Model	KK-IC-650D		
WARRANTY PERIOD	6 MONTHS	FOR THE SPECIFIED PERIOD FROM THE DATE OF SALE OR DELIVERY WHICHEVER IS EARLIER.	
Dealer's Invoice Date		Dealer's Invoice No.	
Buyer's Info (Name, Address, Phone, etc.):		Dealer's Stamp (Address, Phone, TIN, etc.):	
Buyer's Sign		Dealer's Sign	

Warranty Policy

What is covered: KisanKraft Limited and its manufacturers warrant this product to be free from defects in material or workmanship. All parts defective in material and workmanship are covered.

This warranty will only cover defects arising under normal usage.

This warranty is limited to repair or replacement by KisanKraft Limited or its manufacturers of such parts as appear to KisanKraft or its manufacturers, upon inspection, to be defective in material and/or workmanship. KisanKraft or its manufacturers make no warranty with respect to items not manufactured or sold by them. No onsite warranty is provided by KisanKraft Limited or its manufacturers. Defective items must be brought/sent to our Authorized Dealer or KisanKraft Limited's office for service.

What is not covered: The *warranty shall become null and void* and neither KisanKraft Limited nor any of its manufacturers, nor its authorized dealers assume any responsibility, if the failure was caused by the following:

(1) Operation of product with incorrect fuel or lubricants, (2) Incorrect usage of machine or misuse, (3) Lack of maintenance, (4) Negligence, (5) Accident or physical damage, (6) Repairs made by unauthorized parties and/or with unauthorized parts, (7) Improper set up, adjustments, tampering or altered products (8) Any modification to the product what-so-ever.

Important: (1) Normal maintenance and adjustments to the product is the responsibility of the customer. (2) Normal wear and tear are not covered under warranty. (3) Rubber/plastic parts and consumables such as blades, clutch and clutch-bell, sparkplugs, nylon line, air-filters, fuel-filters, oil seals and gaskets etc. are not covered under the warranty. (4) Electrical Motor, Electrical Parts, Battery Etc. are not covered under the warranty.

Incidental / Consequential Loss: KisanKraft Limited or its manufacturers will not be liable for general damages, including bodily injuries, or for incidental or consequential damages including, but not limited to, loss of use, loss of profits, loss of production, expense of substitute equipment or other commercial loss or damage.

This warranty is null & void, if you fail to register the warranty with KisanKraft by sending the KisanKraft Copy with dealer's stamp.

Limitation of Liability: This limited warranty is in lieu of all other express warranties, obligations, or liabilities. Any implied warranties, obligations, or liabilities, including, but not limited to, any implied warranty of merchantability shall be limited in duration to the applicable warranty period. Any action for breach of any warranties hereunder, including, but not limited to, any implied warranty of merchantability must be brought within the applicable warranty period.

Modifications of Warranty: No agent, representative, dealer, or employee of KisanKraft Limited or any of its manufacturers has the authority to increase or alter the obligations of this warranty.

Assignment / Transfer of warranty: The warranty cannot be assigned and shall not transfer if the product is resold by the first buyer. The above warranties are extended to the first end user (original purchaser), and no warranty is made, nor authorized to be made assignable on resale by the first end user.

What you must do to obtain limited warranty service: To obtain performance of any obligation under this warranty for failure during the applicable warranty period, you must deliver the defective product, to the nearest Authorized Dealer, along with proof-of-purchase (invoice/receipt). KisanKraft Limited, its manufacturers and its dealers reserve the right to inspect the claimed defective part(s) to determine if the malfunction is the result of a defect covered by this warranty. Please note that the decision of KisanKraft Limited with respect to any warranty claim is final.

After-sales Service (Including Warranty): KisanKraft Limited does not sell directly to consumers. All sales or supplies are made through Authorized Dealers. It is the responsibility of the Authorized Dealer to provide all after-sales service to consumers. Any warranty claim should be raised by dealer to KisanKraft Limited as per warranty policy.

Jurisdiction: All disputes are subject to Bangalore court's jurisdiction.

Notes:



- This purchase is not contingent upon a product demonstration. The purchaser shall satisfy himself with the product, including any product demonstration or verification of any function, before buying. KisanKraft Limited or its authorized dealers, including online sellers, shall not be liable to give any on-site demonstration after purchase of any of the product.
- Any product once used will not be taken back by KisanKraft Limited.
- Warranty and After Sale Services (including but not limited to installation, Demonstration, Repair, Routine Maintenance etc.), should be done through the Authorized Dealer selling this product.
- Dealers should have their own technician to provide After Sales Services to their Customers. KisanKraft Limited provides free training to Authorized Dealer's technicians at KisanKraft Limited's head office, on request from Authorized Dealer.

This warranty is null & void, if you fail to register the warranty with KisanKraft by sending the KisanKraft Copy with dealer's stamp.

Before Getting Started

Thank you for purchasing our Inter-cultivator.

- This manual contains information on operation and maintenance of the Inter-cultivator, which is based on the most recent product information available at the time of approval for printing. We reserve the right to make amendments without prior notice and without incurring any obligation for sequences.
- No part of this publication may be reproduced without written permission.
- This manual should be considered a permanent part of the cultivator and remain with it if it is resold.
- Please pay special attention to statements preceded by the following words:

 WARNING	Indicates a strong possibility of severe personal injury or death if instructions are not followed.
 CAUTION	Indicates a possibility of personal injury or equipment damage if instructions are not followed.
NOTE	Gives helpful information.

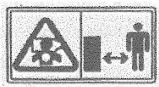
Application

The Inter-cultivator is suitable for Intercultural/weeding operations the sandy soil and clay soil of canopied vegetables base, slopes with gradient less than 10%, paddy field with the depth of water surface to hard layer not more than 250mm. For weedy and deep plots, remove the weeds before using the Inter-cultivator to cultivate the land. Assemble blades on both side of interculturator and use pin to fixed blades to do Intercultural/weeding operations. Take off resistance rod and assemble ditching blade, for ditching work.

Safety Instructions

Important:

- When the engine is starting, turn the shift lever to the “Neutral Position”.
- Be careful when Interculturator is working.
- Check the blades.
- The fuel and oil must be suitable and clean.
- Release clutch before gear shifting and slow down the engine. It is safer when engine is slow down.
- Fuel is easy to catch fire and exploded.
- When working in paddy field or on a slope, use the reverse gear carefully.
- This Inter-cultivator is designed to give safe and dependable service if operated according to the instructions.
- Read and understand the Operation Manual before operating the Inter-cultivator. Failure to do so could result in personal injury or equipment damage.
- Exhaust gas contains poisonous carbon monoxide.
- Never run the cultivator in enclosed areas.
- Be sure to provide adequate ventilation during installation and operation.

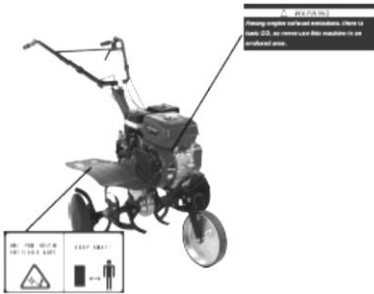




- The rotating parts are sharp and runs at high speed.
- Accidental contact can cause serious injury. Keep your hands and feet away from the parts while the engine is running.
- Stop the engine and disengage the tines clutch before inspection or maintenance of the tines.
- Disconnect the spark plug cap to prevent any possibility of accidental starting, wear heavy gloves to protect your hands from the tines when clearing the tines or when inspecting or replacing the tines.

SAFETY LABEL LOCATIONS:

These labels warn you of potential hazards that can cause serious injury. Read the labels and safety notes and precautions described in this manual carefully.



Operator Responsibility:

- Keep the Inter-cultivator in good operating condition. Operating a cultivator in poor or questionable condition could result in serious injury.
- Be sure all safety devices are in working order and warning labels are in place. These items are installed for your safety.
- Make sure that the safety covers (Fan cover, recoil starter cover) are in place.
- Know how to stop the engine and tines quickly in case of emergency.
- Understand the use of all controls.
- Keep a firm hold on the handlebars, they may tend to lift during clutch engagement.
- Don't allow anyone to operate this cultivator without proper training to avoid injury.
- Wear sturdy, fully covered footwear. Operating this Inter-cultivator on barefoot or with open toe shoes or sandals increase your risk of injury.
- Dress sensibly. Loose clothing may be caught by moving parts, increasing your risk of injury.
- Always stay alert. Operating this cultivator when you are tired, ill or under the influence of alcohol or drugs may result serious injury.
- Keep all persons and pets away from the Intercultural/weeding operations area.
- Make sure the drag bar is in place and properly adjusted.

Child Safety:

- Keep children indoors and supervise all the time while any outdoor power equipment is being used nearby. Young children move quickly and are attracted especially by the cultivator and Intercultural/weeding operations.

- Never assume children will remain where you last saw them. Be alert and turn the cultivator off if children enter the area.
- Children should never be allowed to operate the cultivator even under adult supervision.

Thrown Object Hazard:

- Objects hit by the rotating tines can be thrown from the cultivator with great force and may cause severe injury.
- Before Intercultural/weeding operations clear the Intercultural/weeding operations area of sticks, large stone wire glass etc.
- Cultivate only in daylight.
- Pieces thrown from worn or damaged tines can cause serious injury. Always inspect the tines before using the Inter-cultivator.

Fire and Burn Hazard:

- Diesel is extremely flammable and Diesel vapor can explode.
- Take extreme care when handling Diesel. Keep Diesel out of reach of children.
- Refuel in a well-ventilated area with the engine stopped.
- Allow the engine to cool before refueling. Fuel vapor or spilled fuel may be ignited.
- The engine and exhaust system become very hot during operation and remain hot for a while even after stopping. Contact with hot engine components can cause burn injuries and can ignite some materials.
- Avoid touching a hot engine or exhaust system.
- Allow the engine to cool before performing maintenance or storing the cultivator indoors.

Carbon Monoxide Poisoning Hazard:

- Exhaust contains poisonous carbon monoxide a colorless and odorless gas. Breathing exhaust can cause loss of consciousness and may lead to death.
- If you run the engine in an area that is confined or even partially enclosed, the air you breathe could contain a dangerous amount of exhaust gas. To keep exhaust gas from building-up, provide adequate ventilation.

Operation on Slope

- When Intercultural/weeding operations on slopes, keep the fuel tank less than half full to minimize fuel spillage.
- Intercultural/weeding operations across the slope (At equally spaced intervals) rather than up and down it.
- Be very careful when changing the direction of the cultivator on a slope.
- Do not use the cultivator on a slope for more than 10°.
- The maximum safe grade angle shown is for reference purpose only and should be determined according to the type of the tool. Before starting the engine, check that the Inter-cultivator is not damaged and in good condition. For your safety and safety of others, exercise extreme care when using the Inter-cultivator up or down the hill.

Training

- Please read this manual carefully and learn how to operate and use the weeder.
- Don't allow children and anyone without proper training to operate this weeder to avoid injury.

- Keep all persons (especially the kids) and pets away from the weeding working area.

Preparation

- Move all the sundries away from the weeder working area.
- Before engine starting, be sure the clutch is disengaged, and the shift lever is in the neutral position.
- It is not allowed to operate the weeder without wearing proper coat. Wearing the antiskid shoes can improve the stability on the slide surface.
- Be careful the fuel, it is extremely flammable.
- Using the proper tank to store the fuel.
- It is not allowed to refuel when engine is working or before engine cooled. Refueling the lube oil into the tank is not permitted.
- Refuel in a well-ventilated area with the engine stopped.
- Before starting, tightening the fuel cap, and cleaning the spilled fuel.
- When engine running, any adjustment is not allowed (except the special adjustment recommended by manufacturer).
- Please wear the safety glasses for any operation, such as: preparation, operation, and maintenance.

Operation

- Keep your hands and feet away from the rotating parts while engine is running.
- Be careful to operate on (or across) the cobble road, pavement, or highroad. Be careful the potential risk and traffic. Taking the passenger is not allowed.
- Please stop the engine and check if the weeder be broken after striking sundries. It is not allowed to start or operate before it is repaired if broken.
- Attention the operation floor, avoid slipping down.
- Any unusual vibration is the sign of fault should stop and inspect machine immediately.
- Stop the engine, while leaving the operation position, cleaning the rotor, doing maintenance, adjusting, or checking the machine.
- After using, should do the preventive measures, such as: disengage the power output, gear in neutral position, engine off.
- Before cleaning, maintenance and inspection, the engine should be off, and ensure all the moving parts to be stopped.
- Exhaust contains poisonous gas; don't use the weeder in enclosure space.
- No protective devices, no operation the weeder.
- Keep away from the kids and pets.
- To avoid over weeding depth, and over speed, cause the machine overload.
- The weeder should not be run in high speed on the slippery road, be careful the back situation when using backward gear.
- Keep people away from the machine.
- Use only genuine parts or their equivalents (such as: wheel bob-weight, balancing weight, cabin etc.).
- Don't operate the weeder in poor view or weak light environment.
- Be careful to operate on hard land because the blade into land can push the weeder forward. In this case, release the handlebar, don't try to control it.

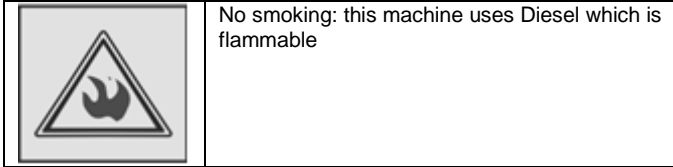
- Do not use the weeder on slope.
- When the weeder goes up or down the slope, should prevent tip-over.

Maintenance and Storage

- Keep the weeder, attached device and components in good operation condition.
- At set intervals, check if the bolts fasten to ensure the weeder in safe operation condition.
- Indoor storage, away from the fire. Cool the engine before indoor storage.
- For long-period storage, should keep this manual well, too.
- Don't try to repair the machine, otherwise you have the proper tools and disassemble, assemble and maintenance manual.


Safety warning indication

△Warning



A1 Fire safety sign

⚠ **Warning**



Keep away from the rotate blades, injuries will be caused if touching the blades.

⚠ **Warning**

Bystanders keep a safe distance from the machine, they will be harmed if approaching or touching the machine.



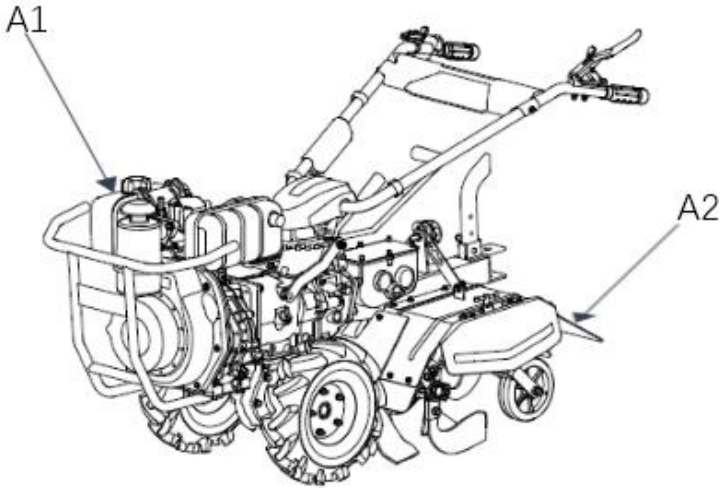
Do not open or remove the protective cover when the machine is working



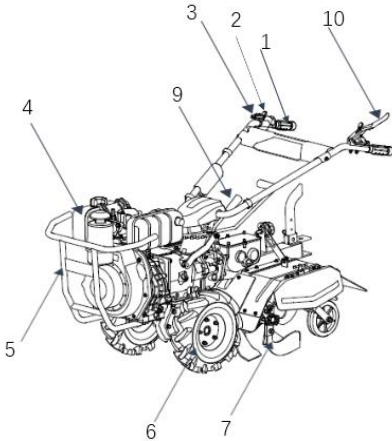
Read user manual carefully before operation, pay attention to safety especially when tiller is running.



A2 fire safety sign Safety warning position



Product Overview

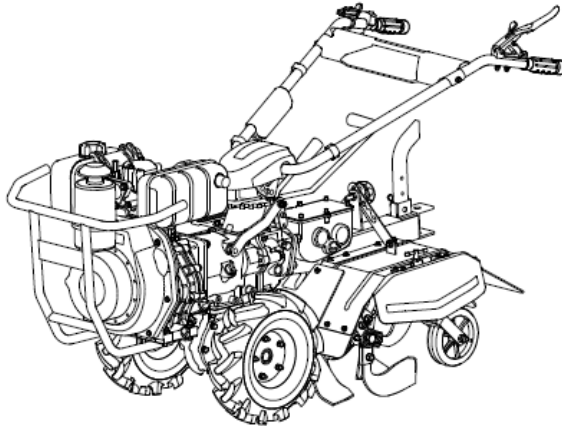


1	Handle frame
2	Flameout switch
3	Oil switch
4	Diesel engine
5	Bumper
6	Walking round assy.
7	Rotary parts
8	Fender parts
9	Output clutch handle
10	Clutch handle

Applicable Scope

1. Ditching

The ditching (table), the direction of the blade (fig), adjust the height of the rear wheel according to the depth of the ditching. The armrest can be rotated to the side or back of the machine to operate the ditching work



2. Ridge

Adjust the machine according to the ditching operation requirements. And adjust the angle of the fender to control the falling point of the soil for ridging.

3. Rotary

Replace the rotary blade, remove the rear wheel and switch to rotary for weeding work.

Installation Method

Assembly after unpackaged:

1. Take out the machine and accessories from the package.
2. Fix the body of the weeder, install left, right wheels on both side of the output shaft of walking case, and use pin 8*73 and pin to fix it; then install the rear wheel, adjust height, tighten the locking bolt to secure it.
3. Install ditching (ridging) blade: install the ditching device into the two ends of the output shaft (blade in front) in weeding case and fix it with pin.
4. Fender (or narrow fender) and side fender installation: attach the left and right fenders to the weeder, install the hex bolts M6*12 and the lock nuts M6(8 pcs each), and tighten the bolts and nuts with an 8-10mm wrench, install the fender adjustment block to the fender, install the hex bolts M8*16 and lock nuts M8 (2pcs each), then install the side genders on both sides and tighten the small handle. (if the fender

- and side fender have been installed to the machine after unpacking, this step can be omitted)
5. Check the whole machine, see if there are no missing parts and other missing parts in the accessory box, and then follow the instructions to perform the next steps

Operation Instructions

Before sending the weeder out of factory, adjusting and debugging is done, for comfortable and easier using, the user should inspect and adjust it again.

◆ 1. Daily Checking

- 1.1 Check all the bolts in the connecting part ensure all of them are tightening.
- 1.2 Checking the handles (throttle, Clutch and gear shifting lever), make them flexible and in the correct position.
- 1.3 Put the shift lever in the neutral gear place.
- 1.4 Add oil:
 - a. Add lube oil () to crankcase as Photo III shows.
 - b. Put the engine at horizontal position. Insert the dipstick into the filler neck without screwing it in. Get the dipstick out, check the oil level. The oil level should be the mentioned position in the dipstick. (Look at Photo III).
 - c. Refuel air cleaner with oil, disassembling the synthetic glass cover tent below the cleaner, and refuel 0.1L No.20 oil.
- 1.5 Add fuel;
- 1.6 Make preparation following the user manual before starting machine.

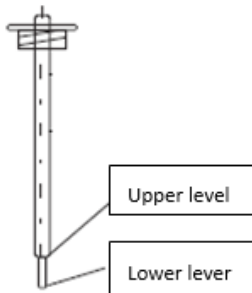


Photo III

Photo III

⚠ Attention

Don't rotate dipstick, don't add lube oil between upper level and lower level.

◆ 2. Weeder adjustment

⚠ Attention

Please put the Intercultivator on firm land level before adjusting the handle height to prevent the handle from collapsing accidentally.

2.1 Handle frame adjustment

Adjust the height and direction of handle frame by lock hands.

2.2 Weeding depth adjustment

Control the weeding depth by adjusting the height of the resistance rod. Rod going down, weeding depth decreased; Rod going up, weeding depth increased.

◆ 3. Engine start and stop

⚠ Attention

Shift lever must be in the neutral gear position

3.1 Shift lever must be in the neutral gear position before starting the weeder.

3.2 Start the Diesel engine following the steps of user manual.

3.3 Engines should run in the low speed (1450-1750r/min) for 2-3 minutes without load.

3.4 Check if the engine runs normally, if abnormal, please turn it off and repair.

⚠ Attention

The Intercultivator must running-in before starting using. Check Chapter VI for running-in method.

◆ 4. Operation

4.1 Starting weeder: Clutch bar should be disengaged, and all gear shifting levers should be in neutral gear position, and then start the engine following the usual manual.

4.2 Running: Put gear shifting handle in the required gear position, clench the clutch handlebar to make the weeder work/walk.

4.3 Parking:

a) Loosen Clutch handlebar.

b) Put Gear shifting lever to Neutral position.

c) Following the user manual, if need to turn off the engine

⚠ Attention

Park the Intercultivator on flatland.

5. Operation attention

⚠ Attention

5.1 When using Intercultivator, you should pay attention to the working situation and sound of every part, check if the connection is good. There mustn't be loosed connection. If there is abnormal situation, please stop the Intercultivator and check.

5.2 Never carry out work with heavy load if Intercultivator has not been used for a long time, especially the new ones or the repaired ones.

- 5.3 Pay attention to the oil level of Diesel engine, walking case and gear box. When they are insufficient, please refuel them.
- 5.4 Never cool the Diesel engine in the way of water-pouring.
- 5.5 Prevent Intercultivator from falling down when Intercultural/weeding operations.
- 5.6 Never install Intercultivator with rotary blades when walking on sand or stone to avoid damaging blades.
- 5.7 After Intercultural/weeding operations, please clear away dirtiness on the Intercultivator, such as mud, grass and

Maintenance

Due to rotary situation, abrasion and load change of mini weeder, bolts will become loose, and parts will be worn during the work. These changes will destroy the proper working state of mini weeder, create abnormal fitting clearance, degrade output of Diesel engine, increase oil consumption, lead to the maladjustment of spare parts, increase malfunction of mini weeder. All these will seriously affect the working efficiency of mini weeder. To decrease the frequency of the above-mentioned accidents, prevention of maintenance work must be done strictly and regularly to keep the mini weeder in a good technical state and prolong its life.

◆ 1. Running-in of mini weeder

◇1.1 As for running-in of Diesel engine, please refer to its instruction.

◇1.2 If mini weeder is new or is just heavily repaired, it should work without load for one hour.

After the mini weeder works with light load for five hours, all oil in gear box and crankcase of Diesel engine should be drained immediately. Afterwards, you should refuel adequate clean Diesel oil, pull the starting grip 5~10 times, then drain it. Refuel the lube oil for 4 hours running-in, then can use the weeder normally.

◆ 2. Technical maintenance table of mini weeder

◇2.1 Every-time maintenance (before and after work)

- Listen and check if there is malfunction of every part (such as abnormal noise, overheat, loose screw and so on).
- Check if there is oil leakage from Diesel engine, gear box and running gear.
- Check if the oil level of Diesel engine and gear box is between the upper and lower limit of dipstick.
- Clean the whole machine and spare parts which are with mud, grass, and oil stain regularly.
- Do daily record.

◇2.2 Primary maintenance (per 150 hours)

- Carry out maintenance work based on all contents of every-time maintenance.
- Wash gear box, running gearbox and change lube oil.
- Check and adjust clutch, shift system and reverse gear system.

◇2.3 Secondary maintenance (per 800 hours)

- Carry out maintenance work based on all contents of primary maintenance.
- Check all gears and bearings. If they are fretted severely, please replace them.
- Check other parts of mini weeder, such as: rotary blades or bolts and so on. If there is damage, please replace them.

◇2.4 Technical inspection (per 1500-2000 hours)

- Take the whole machine to the specific maintenance station and have a check. If the spare parts are severely fretted, they must be changed or repaired according to the situation.

◆ 3. Technical maintenance of mini weeder

Working intervals Maintenance contents	everyday	Work with half load for 8 hours	Work for 1 month or 20 hours	Work for 3 months or 150 hours	Every year or 1000 hours	Per 2 years or 2000 hours
Check & tighten nuts, bolts	√					
Check and refuel lube	√					
Check and change lube		√ (1 st time)	√ (2 nd time)	√ (3 rd time or more)		
Check if there is oil leakage	√					
Clean mud, grass, and oil stain	√					
Debug malfunction	√					
Adjust operation parts	√					
Tighten the belt	√					
Gear and bearing					√	

◆ 4. Long-period storage of mini weeder

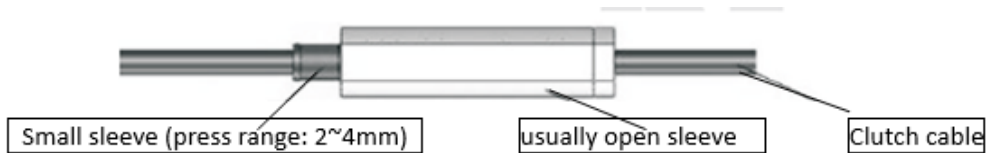
When mini weeder needs storing for a long period, the following measures should be taken to prevent tarnishing.

- ◇4.1 Wash oil stain and clean dust on the machine.
- ◇4.2 Drain lube oil in the gear box and refuel new oil.
- ◇4.3 Paint pickling oil on non-aluminum parts where there is no paint.
- ◇4.4 Store mini weeder in the dry, safe place where there is enough aeration.
- ◇4.5 Properly keep the attaching tools, certificates of conformity and instruction of mini weeder.

Adjustment methods and data

The abrasion of friction plates and the clutch shifting fork will make malfunction of clutch after using for a long time, in this case, should adjust clutch accordingly.

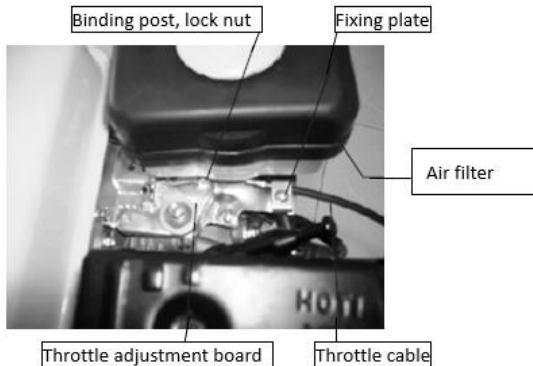
- ◇1.1 Clutch cable adjustment
- ◇1.1.1 Every weeder must be equipped with one set of clutch limit usually open sleeve, which cannot be replaced by a common clutch cable.
- ◇1.1.2 When adjusting the clutch, must make sure the small sleeve running in the scale range. When loosen clutch handlebar, the main output shaft should be stopped immediately. Please replace a new clutch cable if the small sleeve runs out of the scale range.
- ◇1.1.3 When adjust clutch cable, please make the clutch cable adjusting rod on both clutch shifting fork arm and armrest-frame in the proper position, and then tighten the nut to lock them.



Requirement

The small sleeve must work in the scale range after all adjustment done.

◆ 2. Adjustment of throttle cable



- ◇2.1 Adjust throttle cable, make throttle handle can reach the fastest and slowest position, then tighten the throttle switch with locking bolt.

Troubleshooting

◆ 1. Common troubles and solutions

Phenomenon	Reason	Solution
Abnormal noise on gear	Over abrasion of the gear or improper installation	Reinstall or replace the gear
Gear cannot run smoothly	Improper installation	Reinstall the gear
Overheat of the machine	Less lube oil in the tank	Add lube oil as required
	Too narrow space between gears	Reassembly
	Two narrow spaces between bearings	Readjust
Oil leakage on the linkage of gear box	The connecting bolt is loosened	Tighten the bolt
Oil leakage	Sealing gasket is broken	Replace the sealing gasket
Oil leakage on the output shaft	Lip-shaped oil seal is broken	Replace the oil seal
Oil leakage on the oil-draining hole	O Ring is broken	Replace the O ring
	Screw plug is loosened	Tighten it accordingly
Oil leakage on the tank	Small holes on the tank	Welding or paint the holes

◆ 2. Other troubles and solutions

Phenomenon	Reason	Solution
Rotary blades are broken off	Hit stones or bricks when using	Replace it, pay attention to avoid the stones and bricks
Controlling cable is broken off	Long-time working abrasion	Replace the cable

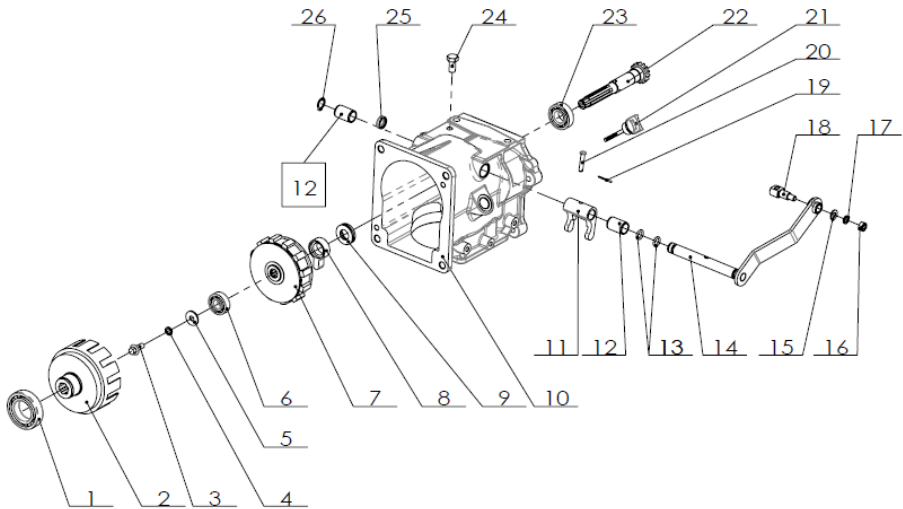
Technical Specification

Parameters	KK-IC-650D
Displacement(cc)	296
Rated Power(kw)	4 kW (5.36 hp)
Rated Rotation Speed (r/min)	3600 RPM
Fuel Tank	3.5 L
Fuel type	Diesel
Driving Model	Gear
Gear	Walking gearbox: 2F/ 1R Weeding gearbox: 1F/ 1R
Working Width	66 cm
Working Depth	≥10 cm
Bore xStroke(mm)	78x62
Dimension (L*W*H) mm	1480x800x1100

NOTE: Specification are subject to change without prior notice.

Part Diagram

Transmission case comp

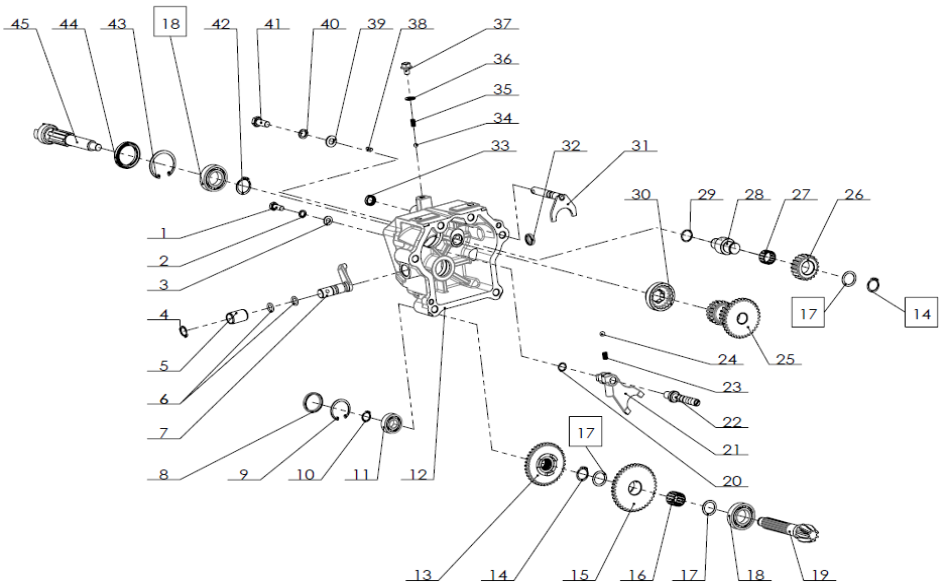


Transmission case comp

Ref No	Part No	Description	Qty
1	360720013	Deep groove ball bearing 6007	1
2	2101400007-0001	Clutch cover assembly (WMX620-1)	1
	2101400006-0001	Clutch cover assembly (WMX620A-1)	
3	360220040	Hexagon Flange Bolts Small Series M8x20	1
4	360890004	External Serrated Lock Washers 8	1
5	360640005	Large washer 8	1
6	360720019	Bearing 6202	1
7	2101200002-0001	Clutch core assembly	1

8	2402500003-0001	cushion cover	1
9	2111400003-0001	T26 Friction Disc	1
10	2123900001-0001	Gearbox	1
11	2102500002-0001	clutch fork	1
12	3410800029-0001	Bushing 16x20x30	2
13	360710041	O-ring 11x2.8	2
14	2102400004-0001	clutch fork shaft	1
15	360660010	Flat washer 8	1
16	360010003	Hex Nut M8	1
17	360620008	Spring washer 8	1
18	3005300006-0001	Clutch cable activity seat	1
19	360560027	Cotter pin 2x20	1
20	361020011	Pin 6x30	1
21	1101500004-0001	oil dipstick assembly	1
22	2114500004-0001	Spindle 1	1
23	360720009	Deep groove ball bearing 6004	1
24	360250124	Hexagon head bolt M10x20	1
25	3409000008-0001	Oil plug 20x6	1
26	360920053	Shaft circlip 16	1

Transmission back case comp



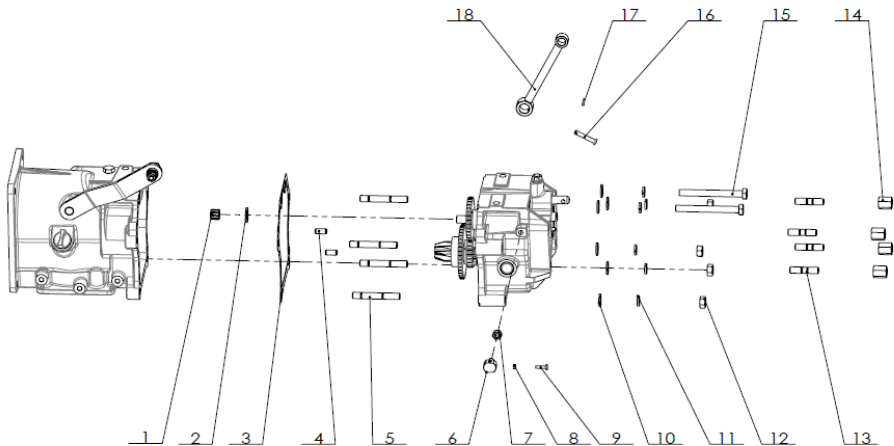
Transmission back case comp

Ref No	Part No.	Description	Qty
1	360250024	Hexagon head bolt M8x20	1
2	360620008	Spring washer 8	1
3	360660010	Flat washer 8	1
4	360920053	Shaft circlip 16	1
5	3410800029-0001	Bushing 16x20x30	1
6	360710041	O-ring 11x2.8	2
7	2116500003-0001	shift rocker	1

8	3409000003-0001	Oil plug 35x6	1
9	360910019	Circlips for holes 35	1
10	360920059	Shaft circlip 15	1
11	360720019	Deep groove ball bearing 6202	1
12	2124100002-0002	gearbox back cover	1
13	2119800004-0001	shift gear A	1
14	360920046	Shaft circlip 20	2
15	2119400005-0001	Transmission double gear	1
16	3419500002-0001	Needle roller bearing K20x24x20	1
17	3417000007-0001	Adjusting washer 20x27x1	3
18	360720011	Deep groove ball bearing 6005	2
19	2110000008-0001	countershaft	1
20	3416100009-0001	O-ring 11.8x1.8	1
21	2101900002-0001	shift fork	1
22	2101700003-0001	shift fork shaft	1
23	3404800006-0001	shift spring	1
24	360970009	Steel ball φ8	1
25	2153000001-0001	triple gear	1
26	2117900001-0001	reverse gear	1
27	360770003	Needle roller bearing K20x24x13	1
28	2116100004-0001	reverse shaft	1
29	360710014	O-ring 18x1.8	1
30	2109900002-0001	PTO dial	1
31	2103500009-0002	PTO fork shaft assembly	1
32	3409000008-0001	Oil plug 20x6	1

33	3408800004-0001	Oil seal WD12x18x4	1
34	360970010	Steel ball ϕ 6.35	1
35	3404800010-0001	compression spring	1
36	3416400001-0001	Gasket Φ 8	1
37	360220038	Hexagon Flange Bolts Small Series M8x12	1
38	360850004	Cylindrical pins unhardened steel and austenitic stainless-steel 5x10	1
39	360660013	Flat washer 10	1
40	360620015	Spring washer 10	1
41	360220157	Hexagon flange bolts M10x25	1
42	360920044	Shaft circlip 25	1
43	360910023	Circlips for holes 47	1
44	3408800026-0001	Oil seal 35x47x7	1
45	2113900002-0001	PTO output shaft	1

Transmission combination parts

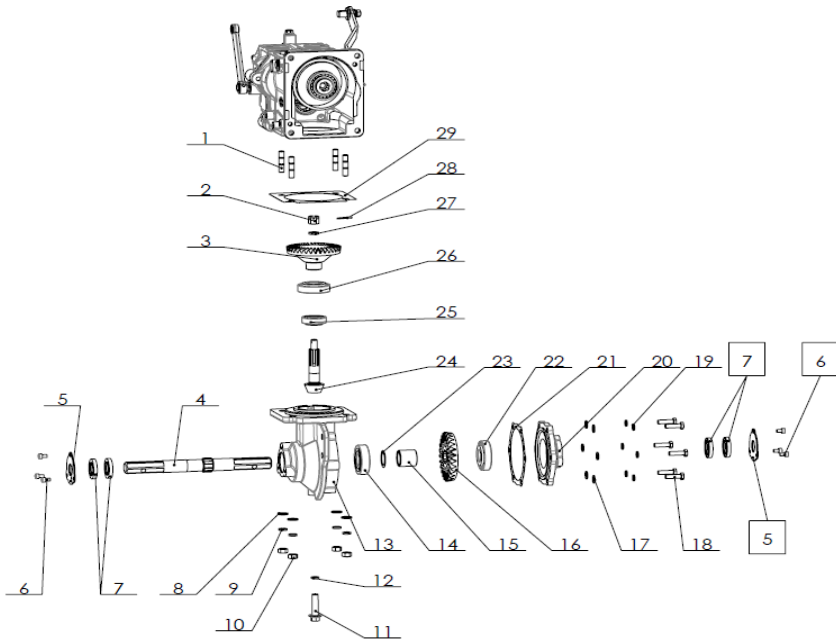


Transmission combination parts

Ref No	Part No.	Description	Qty
1	3419500005-0001	Needle roller bearing K12×16×16	1
2	3411800019-0001	Wear washer 12.5×23×2	1
3	3400800001-0001	Transmission rear box paper pad	1
4	3411200003-0001	Locating pin 8×14	2
5	360520017	Stud stud b=1.5d M10×60	4
6	3005300003-0001	Clutch seat	1
7	360030003	Hexagon Thin Nut M8	1
8	360010033	Type 1 Hex Nut M5	1
9	360250004	Full thread hexagon head bolt M5×20	1
10	360660013	Flat washer 10	6
11	360620015	Spring washer 10	6
12	360010008	Type 1 Hex Nut M10	4

13	360540007	Equal length stud stud C grade M10×40	4
14	1203800018-0001	Cylinder head nut M10×21	4
15	360260101	Hexagon head bolt M10×95	2
16	361020078	Pin 6×35	1
17	3402200003-0001	circlip A	1
18	2401000002-0001	shift link arm	1

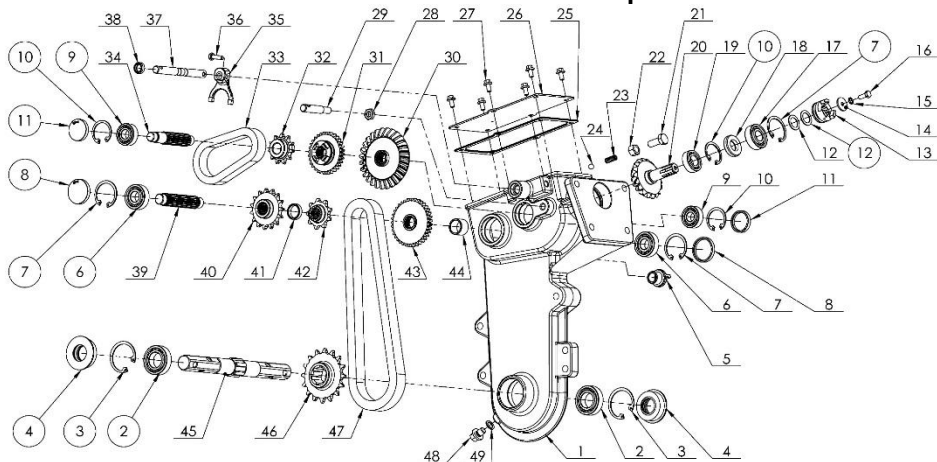
Walking case comp



Walking case comp			
Ref No		Description	Qty
1	360540007	Equal length stud stud C grade M10x40	4
2	360060007	Hexagonal slotted nut M12	1
3	2119000003-0001	driven bevel gear	1
4	2113600017-0001	Hexagonal output shaft	1
5	2111800002-0001	Output shaft oil seal pressure block	2
6	360300207	Hexagon Flange Bolts Enlarged Series B Grade M6x10	6
7	3408800024-0001	Oil seal 25x42x7	4
8	360660013	Flat Washer Class A 10	4
9	360620015	Standard spring washer 10	4
10	360010008	Type 1 Hex Nut M10	4
11	3403900002-0001	Oil drain bolt M12x1.25-12	1
12	360710003	O-ring 10.2x2.65	1
13	2124500003-0001	walking box	1
14	360720050	Deep groove ball bearing 6305	1
15	3410800044-0001	Output shaft spacer	1
16	2119100004-0001	Walking bevel gear	1
17	360660010	Flat Washer Class A 8	6
18	360250141	Hexagon head bolt M8x30	6
19	360620008	Standard spring washer 8	6
20	2124700007-0004	end cap	1
21	3400900001-0001	end cap paper pad	1
22	360750006	Tapered Roller Bearing 30305	1
23	3417000016	Adjusting gasket 60*45.5*0.5	1
24	2110000004-0001	Bevel gear shaft	1

25	360750001	Tapered Roller Bearing 30204	1
26	360750002	Tapered Roller Bearing 30206	1
27	360620029	Standard spring washer 12	1
28	360560006	Cotter pin 2x25	1
29	3400300004-0001	Closing paper pad	1

Inter-cultivator Transmission parts

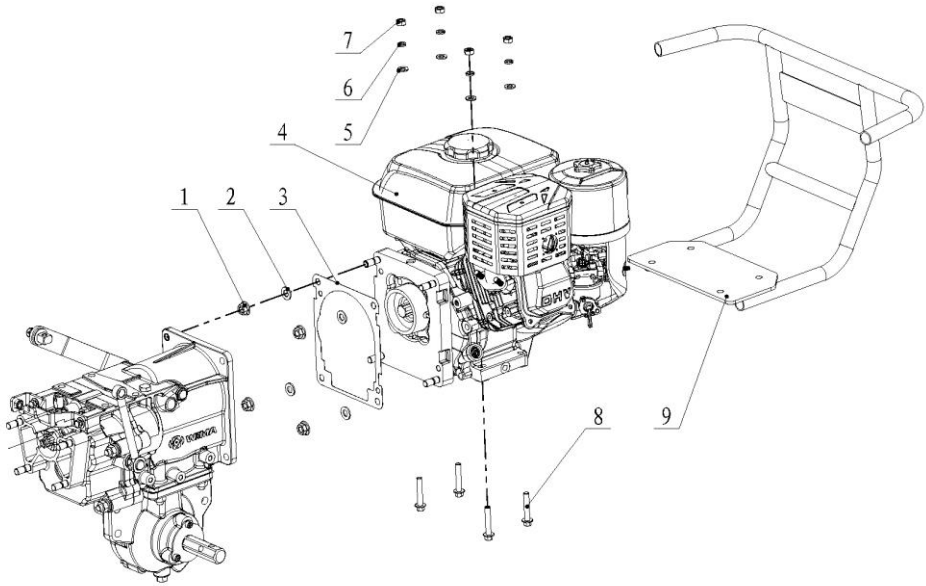


Ref No	Part Name	Description	Qty
1	2106000034-0001	Transmission case	1
2	360720011	Deep groove ball bearing_6005	2
3	360910023	Retaining ring for hole_47	2
4	3408800027-0001	Non-standard oil seal_25*47*54*13*4	2
5	3403400005-0001	Oil filling plug	1
6	360720025	Deep groove ball bearing_6203	2
7	360910021	Retaining ring for hole_40	3

8	3409000007-0001	Oil plug_40*6	2
9	360720019	Deep groove ball bearing_620	2
10	360910019	Retaining ring for hole_35	3
11	3409000003-0001	Oil plug_35*6	2
12	3402400019-0001	Gasket_17*25*1	2
13	2125100001-0001	output pawl	1
14	360590001	Extra Large Washer Class C_6	1
15	360890003	External Serrated Lock Washer_6	1
16	360250010	Hexagon head bolt full thread_M6*16	1
17	360720029	Deep groove ball bearing_6203-2RS	1
18	3408800001-0001	Non-standard oil seal_17*35*7	1
19	360720004	Deep groove ball bearing_6003	1
20	2129800007-0001	Drive bevel gear	1
21	360250034	Hexagon head bolt full thread_M10*25	1
22	360010008	Type 1 Hex Nut_M10	1
23	3404800014-0001	Gear spring	1
24	360970009	Steel ball_8	1
25	3003200002-0001	cover pad	1
26	2124400004-0001	Box cover	1
27	360250010	Hexagon head bolt full thread_M6*16	6
28	360030006	Hexagon Thin Nut_M10	1
29	2116300009-0001	shift arm	1
30	2110100007-0001	driven bevel gear	1

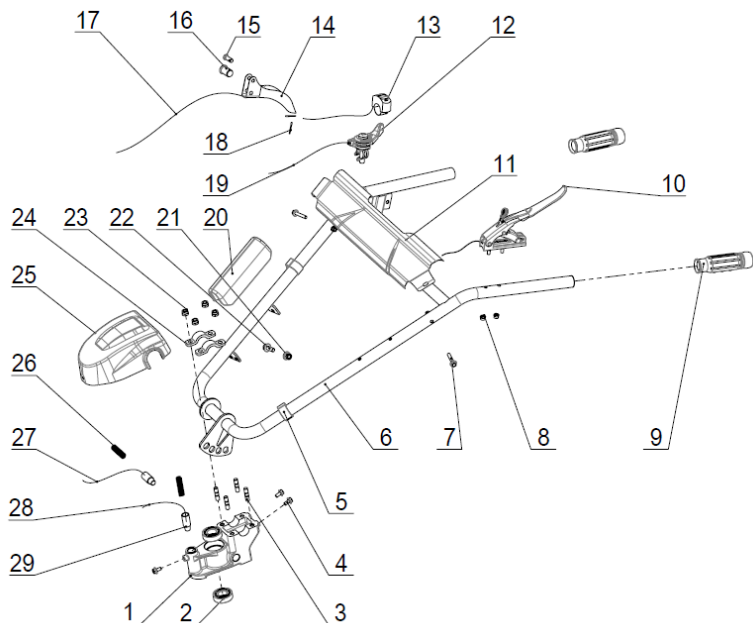
31	2118900005-0001	slip gear	1
32	2100300021-0001	drive sprocket	1
33	2100200029-0001	Chain_428H_24 Sections	1
34	2140000003-0001	Drive shaft I	1
35	2101900003-0001	shift fork	1
36	360250011	Hexagon head bolt full thread_M6*20	1
37	2103600001-0001	fork shaft	1
38	3408800049-0001	Non-standard oil seal_12*18*6	1
39	2140100003-0001	Drive shaft II	1
40	2121600006-0001	driven sprocket	1
41	3410800150-0001	Bushing_20.5*25.5*17	1
42	2100300001-0001	drive sprocket	1
43	2108100002-0001	III axis driven gear	1
44	3410800150-0001	Bushing_20.5*25.5*17	1
45	2128300001-0001	Hexagonal output shaft	1
46	2121500016-0001	driven sprocket	1
47	2100200033-0001	Chain_520HF3×44L	1
48	360290001	Hexagon Flange Bolts Fine Thread Small Series M10*1.25*12	1
49	3400100006-0001	Non-standard gasket_10*16*2	1

Engine and connections



Engine and connections			
Ref No		Description	Qty
1	360040015	Hexagon flange face nuts M10	4
2	360660013	Flat Washer Class A 10	4
3	3401200001-0001	Flange and gearbox paper pad	1
4	T010330082	WM170F/P(WMX620-1)	1
	T020070094	WM178F (WMX620A-1)	
5	360630003	Flat Washer Class C 8	4
6	360620008	Standard spring washer 8	4
7	360010003	Type 1 Hex Nut M8	4
8	360220163	Hexagon Flange Bolts Small Series M8x45	4
9	2602900027-0001	Bumper (WMX620-1)	1
	2602900031-0001	Bumper (WMX620A-1)	

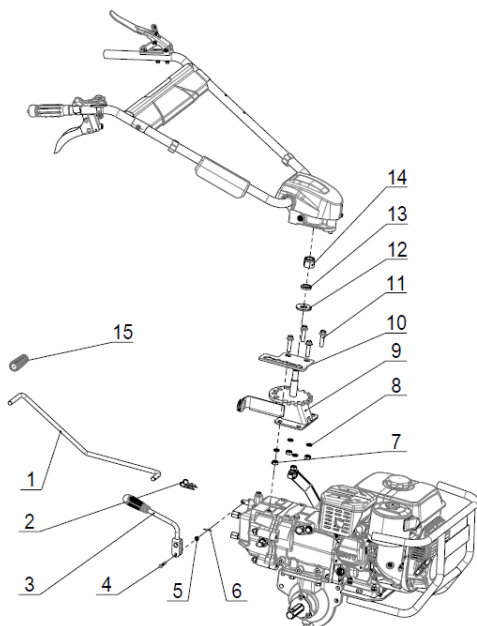
Armrest control parts



Ref No		Description	Qty
1	2409100001-0002	Rotary seat	1
2	360720010	Deep groove ball bearing 6004-2Z	2
3	360520019	Stud b=1.5d M8x24	4
4	360300005	Hexagon Flange Bolts Enlarged Series B Grade M6x12	3
5	2400600001-0001	Self-locking hoop φ25	2
6	2402300058-0001	armrest	1
7	360300055	Hexagon Flange Bolts Enlarged Series B Grade M6x35	2
8	360120005	Non-Metallic Insert Hex Lock Nuts	4

		M6	
9	3000500003-0001	φ25 shock-absorbing handle rubber sleeve	2
10	3010600006-0001	clutch handle assembly	1
11	2605400004-0001	Armrest cover	1
12	1815700001-0001	φ25 bee throttle switch	1
13	2210900006-0001	flameout switch (WMX620-1)	1
14	3010700001-0001	Reverse/Clutch handle	1
15	2113100005-0001	Pin 7x24	1
16	2113100009-0001	Slotted pin shaft 10x24	1
17	3004900004-0001	Adjust the main cable	1
18	360560027	Cotter pin 2x20	2
19	3000200013-0001	Throttle cable (WMX620-1)	1
	3000200012-0001	Throttle cable (WMX620A-1)	
20	2605700001-0001	Armrest frame side cover	1
21	360180013	Non-Metallic Insert Hex Flange Face Lock Nuts M8	1
22	360220041	Hexagon flange bolts M8x25	1
23	360120009	Non-Metallic Insert Hex Lock Nuts	4
		M8	
24	3013600001-0001	Armrest frame	2
25	2603800003-0001	armrest cover	1
26	3406100003-0001	height adjustment spring	2
27	3005100002-0001	Armrest height adjustment cable	1
28	3005000001-0001	Armrest adjustment cable	1
29	2445100001-0001	steering pin	2

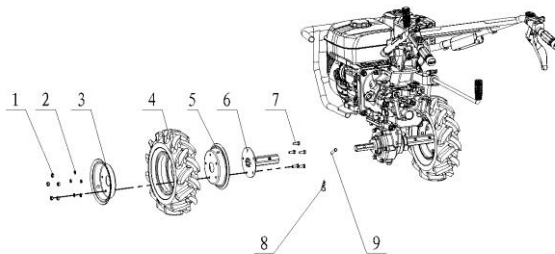
Armrest Parts



Ref No	Part Name	Description	Qty
1	3002600005-0003	shift lever	1
2	3402200004-0002	circlip B	2
3	3008300002-0001	PTO Joystick Assembly	1
4	361020078	Pin 6x35	1
5	360660004	Flat Washer Class A 6	1
6	360560021	Cotter pin 1.6x20	1
7	360010008	Hex Nut M10	4
8	360620015	spring washer 10	4
9	2401400045-0003	Armrest A	1
10	2407900006-0001	Gear indicators stand	1
11	360220154	Hexagon flange bolts M10x30	4

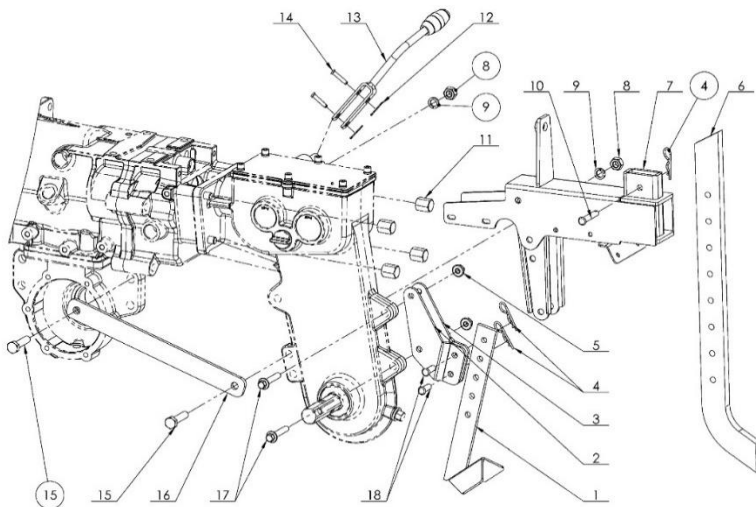
12	3402400008-0001	Compression gasket 20.5x45x4	1
13	360620022	Elastic washer 20	1
14	360120022	Non-Metallic Insert Hex Flange Face Lock Nut M20	1
15	3000500002-0001	Shock-absorbing grips 12	1

Walk round parts



Walk round parts				
Ref No		Description	Qty	
1	360010003	Hex Nut M8	10	
2	360620008	Spring washer 8	10	
3	2800900005-0002	Support frame, resistance rod parts	outer spokes	2
4	2800500014-0001	Herringbone Rubber/Inner Tube/Tube		2
5	2800800004-0002		inner spokes	2
6	2801000007-0002		wheel axle	2
7	360250024		Hexagon head bolt M8x20	10
8	3402200004-0002		circlip B	2
9	361020029		Pin 8x43	2

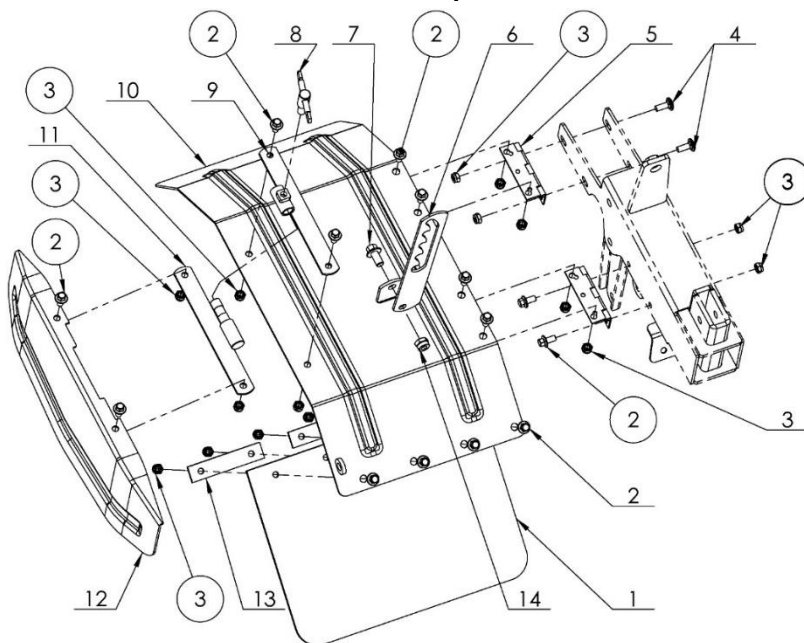
Support frame, resistance rod parts



Ref No		Description	Qty
1	2409500003-0001	Groundbreaking shovel	1
2	2421400001-0001	Ditcher breaking shovel connecting plate	1
3	2421400002-0001	Ditcher breaking shovel connecting plate	1
4	3402200004-0002	circlip B	3
5	360040009	Type 2 Hexagon Flange Nuts M8	2
6	2401300020-0001	resistance rod	1
7	2803800004-0001	Support frame	1
8	360010008	Hex Nut M10	2
9	360620015	spring washer 10	2
10	361020029	Pin 8x43	1
11	1203800018-0001	Cylinder head nut	4
12	3402200003-0001	circlip A	2
13	3014100005-0001	shift handle	1
14	361020003	Pin 5x25	2

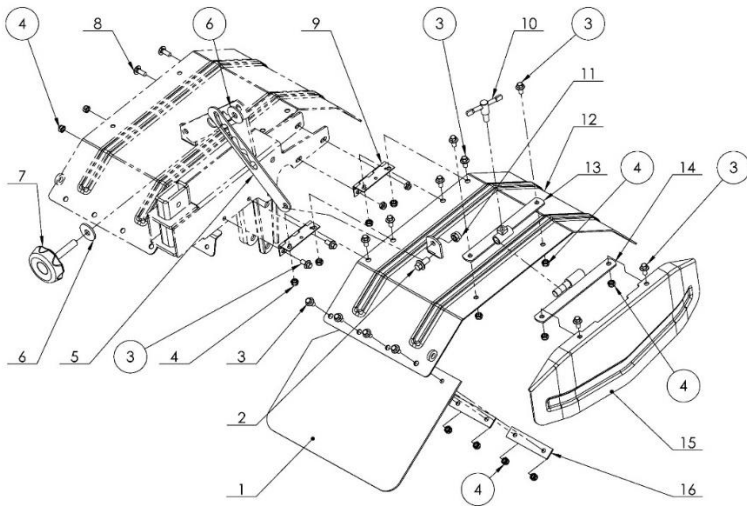
15	360250043	Hexagon head bolt full thread M10×40	2
16	2401900001-0002	Box connecting plate	1
17	360220163	Hexagon Flange Bolts Small Series M8×45	2
18	361020074	Pin 8×22	2

Left fender part.



Ref No	Part no	Description	Qty
1	2411900008-0001	fender rubber sheet 2	1
2	360220079	Hexagon Flange Bolts Small Series M6×12	14
3	360120005	Type 1 Non-Metallic Insert Hex Lock Nut M6	16
4	360360002	Small semicircle low square neck bolt M6×1	2

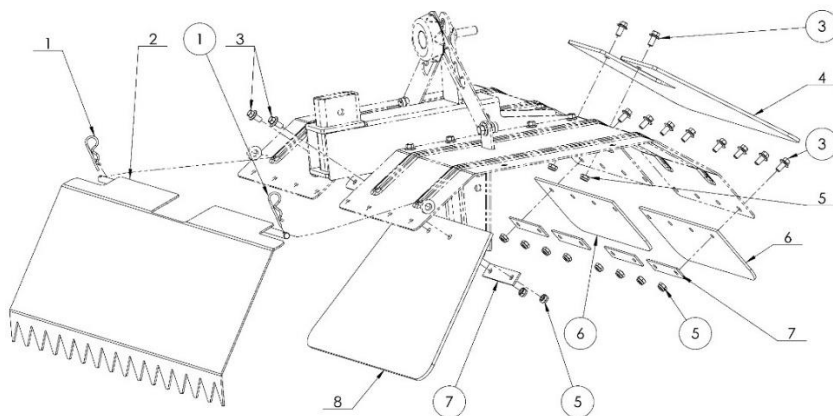
		6	
5	3409300001-0001	hinge	2
6	2408700001-0001	fender adjustment block	1
7	360220039	Hexagon Flange Bolts Small Series M8x16	1
8	3011100001-0001	Lock the small handle	1
9	3416700002-0001	Side fender connecting hinge B	1
10	2601600105-0001	left fender	1
11	3416800003-0001	Side fender connecting hinge A	1
12	2605000005-0001	side fenders	1
13	2412900001-0001	Rubber block bead	2
14	360120009	Type 1 Non-Metallic Insert Hex Lock Nut M8	1



Ref No		Description	Qty
1	2411900008-0001	fender rubber sheet 2	1
2	360220039	Hexagon Flange Bolts Small Series M8x16	1
3	360220079	Hexagon Flange Bolts Small Series M6x12	14

4	360120005	Type 1 Non-Metallic Insert Hex Lock Nut M6	16
5	2408700001-0001	fender adjustment block	1
6	360640013	Large Washer Class A 10	2
7	3002100001-0001	Adjustment block locking handle	1
8	360360002	Small semicircle low square neck bolt M6x1 6	2
9	3409300001-0001	hinge	2
10	3011100001-0001	Lock the small handle	1
11	360120009	Type 1 Non-Metallic Insert Hex Lock Nut M8	1
12	2601600026-0001	right fender	1
13	3416700002-0001	Side fender connecting hinge B	1
14	3416800003-0001	Side fender connecting hinge A	1
15	2605000005-0001	side fenders	1
16	2412900001-0001	Rubber block bead	2

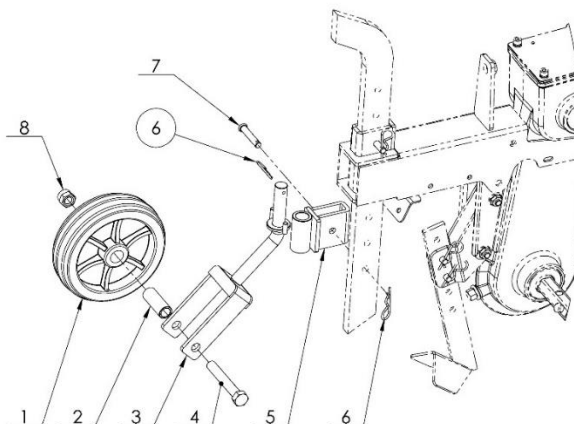
Scraper parts



Ref No		Description	Qty
1	3402200004-0002	circlip B	2
2	2602500002-0001	rear mud scraper	1
3	360220079	Hexagon Flange Bolts Small Series M6x12	12
4	2416500001-0001	Front fender rubber	1

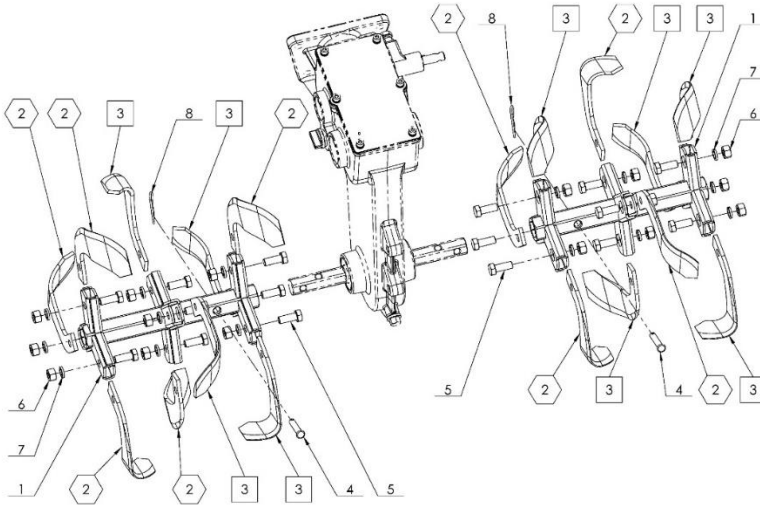
5	360120005	Type 1 Non-Metallic Insert Hex Lock Nut M6	12
6	2411900004-0001	fender rubber sheet	2
7	2412900001-0001	Rubber block bead	5
8	2411900007-0001	fender rubber sheet 1	1

Rear wheel parts



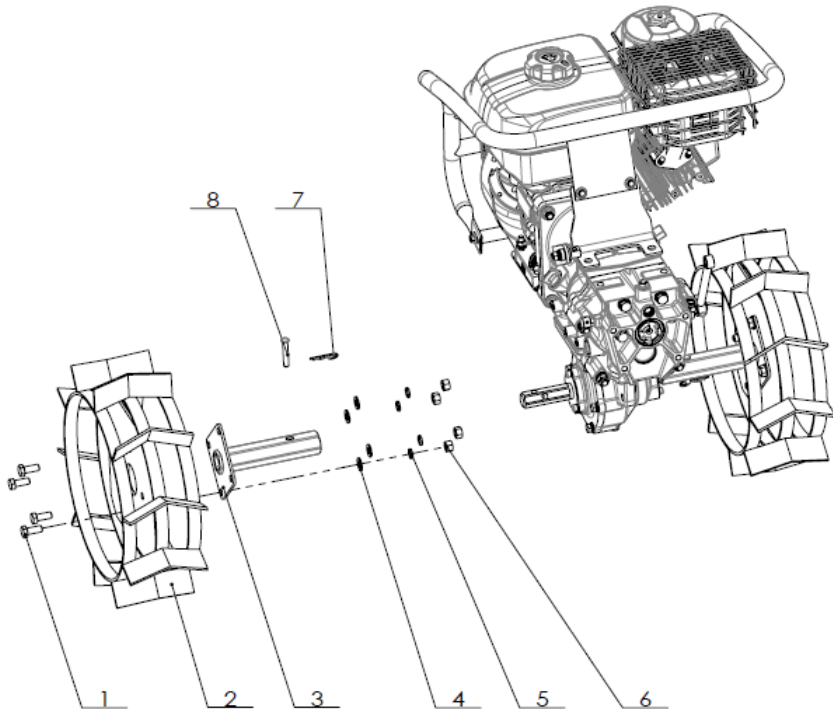
Ref No	Part No.	Description	Qty
1	2804800001-0001	rear wheel	1
2	3410800039-0001	Bushing 13x18x48	1
3	2804600001-0001	rear wheel bracket	1
4	360260083	Hexagon head bolt M12x80	1
5	2415600003-0001	rear wheel link	1
6	3402200004-0002	circlip B	2
7	361020029	Pin 8x43	1
8	360120015	Non-Metallic Insert Hexagon Lock Screw Female M12	1

Rotary blade parts



Ref No		Description	Qty
1	2706800039-0002	Knife barrel assembly	2
2	2700200004-0001	Intercultivator blade - right	9
3	2700200003-0001	Intercultivator blade - left	9
4	361020029	Pin 8x43	2
5	360250034	Hexagon head bolts with full thread M10x25	18
6	360010008	Hex Nut M10	18
7	360620015	spring washer 10	18
8	3402200004-0002	circlip B	2

Iron wheel parts



Ref No	Part No.	Description	Qty
1	360250034	Full thread hexagon bolt M10x25	8
2	2801000016-0001	iron wheel	1
3	2701800008-0001	wheel axle	2
4	360660013	Flat washer 10	8
5	360620015	spring washer 10	8
6	360010008	Hex Nut M10	8
7	361020029	Pin 8x43	2
8	3402200004-0002	circlip B	2

KisanKraft has a large range of products to serve the farmers. A list of our products is given below:

<p>Brush Cutters and Accessories</p> <ul style="list-style-type: none">Brush Cutter/Power WeederBackpack Brush CutterTea PrunerPole pruner with EngineReaper AttachmentBlades-CircularBlades (2 & 3 points)BaffleNylon RopeTap & Go <p>Chainsaws</p> <ul style="list-style-type: none">Diesel ChainsawElectric ChainsawChain Sharpening Machine <p>Engines and Water Pumps</p> <ul style="list-style-type: none">Engine –Diesel-(Horizontal)Engine –Diesel-(Vertical)Engine-KeroseneWater Pump with Diesel EngineWater Pump with Kerosene EngineWater Pump with Diesel Engine <p>Hand Tools</p> <ul style="list-style-type: none">SecateursFolding SawGarden RakeGarden ShovelHedge ShearLopperTelescopic Hedge ShearTelescopic Lopping ShearTree PrunerTelescopic Steel Pipe & Fruit PickerBagSheep Shear <p>Garden Tools</p> <ul style="list-style-type: none">Electric Pressure WasherHedge TrimmerLawn Mower (Electric, Diesel & Manual)Leaf Blower	<p>Cultivators and Accessories</p> <p>Petrol and Diesel</p> <p>Sprayers and Accessories</p> <ul style="list-style-type: none">Battery SprayerPortable Power SprayerTrolley SprayerManual Knapsack SprayerManual Pressure SprayerRose CansHose Crimping MachineHTP SprayerHTP Delivery HoseHTP Hose ReelHTP StandHTP Gun / Lance(Brass Rod)Knapsack Power SprayerMister / Duster / Granule SprayerHTP Sprayer Set with Diesel EngineHTP Sprayer Set with Kerosene EngineFogging Machine <p>Milking Machine</p> <ul style="list-style-type: none">Wood ShredderFodder Ensiling Chaff CutterFodder Grinder Chaff CutterFodder Mini Chaff Cutter <p>Harvester</p> <ul style="list-style-type: none">Maize ShellerMaize Sheller + DehuskerMaize Combine HarvesterOnion Digger Carlotta ItalyTea Leaf HarvesterSugarcane Combine HarvesterSugarcane Leaf Stripper <p>Transplanter and Post Hole Digger</p> <ul style="list-style-type: none">Paddy Transplanter (2 & 8 Rows)Transplanter-Vegetable & TobaccoPost Hole Digger(4" to 14"Augers)
--	---



Wide Range of Products for Every Need



For more information give **MISSED CALL: 07676065555**



Many of our products have BIS: ISI certification.



Product	Agricultural Inter-Cultivator	KisanKraft Invoice Date	
Brand	KisanKraft	KisanKraft Invoice No.	
Model	KK-IC-650D		
WARRANTY PERIOD	6 MONTHS	FOR THE SPECIFIED PERIOD FROM THE DATE OF SALE OR DELIVERY WHICHEVER IS EARLIER.	
Dealer's Invoice Date		Dealer's Invoice No.	
Buyer's Info (Name, Address, Phone, etc.):		Dealer's Stamp (Address, Phone, TIN, etc.):	
Buyer's Sign		Dealer's Sign	

Warranty Policy

What is covered: KisanKraft Limited and its manufacturers warrant this product to be free from defects in material or workmanship. All parts defective in material and workmanship are covered.

This warranty will only cover defects arising under normal usage.

This warranty is limited to repair or replacement by KisanKraft Limited or its manufacturers of such parts as appear to KisanKraft or its manufacturers, upon inspection, to be defective in material and/or workmanship. KisanKraft or its manufacturers make no warranty with respect to items not manufactured or sold by them. No onsite warranty is provided by KisanKraft Limited or its manufacturers. Defective items must be brought/sent to our Authorized Dealer or KisanKraft Limited's office for service.

What is not covered: The *warranty shall become null and void* and neither KisanKraft Limited nor any of its manufacturers, nor its authorized dealers assumes any responsibility, if the failure was caused by the following:

(1) Operation of product with incorrect fuel or lubricants, (2) Incorrect usage of machine or misuse, (3) Lack of maintenance, (4) Negligence, (5) Accident or physical damage, (6) Repairs made by unauthorized parties and/or with unauthorized parts, (7) Improper set up, adjustments, tampering or altered products (8) Any modification to the product what-so-ever.

Important: (1) Normal maintenance and adjustments to the product is the responsibility of the customer. (2) Normal wear and tear are not covered under warranty. (3) Rubber/plastic parts and consumables such as blades, clutch and clutch-bell, sparkplugs, nylon line, air-filters, fuel-filters, oil seals and gaskets etc. are not covered under the warranty. (4) Electrical Motor, Electrical Parts, Battery Etc. are not covered under the warranty.

Incidental / Consequential Loss: KisanKraft Limited or its manufacturers will not be liable for general damages, including bodily injuries, or for incidental or consequential damages including, but not limited to, loss of use, loss of profits, loss of production, expense of substitute equipment or other commercial loss or damage.

This warranty is null & void, if you fail to register the warranty with KisanKraft by sending the KisanKraft Copy with dealer's stamp.

Limitation of Liability: This limited warranty is in lieu of all other express warranties, obligations, or liabilities. Any implied warranties, obligations or liabilities, including, but not limited to, any implied warranty of merchantability shall be limited in duration to the applicable warranty period. Any action for breach of any warranties hereunder, including, but not limited to, any implied warranty of merchantability must be brought within the applicable warranty period.

Modifications of Warranty: No agent, representative, dealer, or employee of KisanKraft Limited or any of its manufacturers has the authority to increase or alter the obligations of this warranty.

Assignment / Transfer of warranty: The warranty cannot be assigned and shall not transfer if the product is resold by the first buyer. The above warranties are extended to the first end user (original purchaser), and no warranty is made, nor authorized to be made assignable on resale by the first end user.

What you must do to obtain limited warranty service: To obtain performance of any obligation under this warranty for failure during the applicable warranty period, you must deliver the defective product, to the nearest Authorized Dealer, along with proof-of-purchase (invoice/receipt). KisanKraft Limited, its manufacturers and its dealers reserve the right to inspect the claimed defective part(s) to determine if the malfunction is the result of a defect covered by this warranty. Please note that the decision of KisanKraft Limited with respect to any warranty claim is final.

After-sales Service (Including Warranty): KisanKraft Limited does not sell directly to consumers. All sales or supplies are made through Authorized Dealers. It is the responsibility of the Authorized Dealer to provide all after-sales service to consumers. Any warranty claim should be raised by dealer to KisanKraft Limited as per warranty policy.

Jurisdiction: All disputes are subject to Bangalore court's jurisdiction.

Notes:

- This purchase is not contingent upon a product demonstration. The purchaser shall satisfy himself with the product, including any product demonstration or verification of any function, before buying. KisanKraft Limited or its authorized dealers, including online sellers, shall not be liable to give any on-site demonstration after purchase of any of the product.
- Any product once used will not be taken back by KisanKraft Limited.
- Warranty and After Sale Services (including but not limited to installation, Demonstration, Repair, Routine Maintenance etc.), should be done through the Authorized Dealer selling this product.
- Dealers should have their own technician to provide After Sales Services to their Customers. KisanKraft Limited provides free training to Authorized Dealer's technicians at KisanKraft Limited's head office, on request from Authorized Dealer.

This warranty is null & void, if you fail to register the warranty with KisanKraft by sending the KisanKraft Copy with dealer's stamp.