

Product	Agricultural Inter-Cultivator	KisanKraft Invoice Date	
Brand	KisanKraft	KisanKraft Invoice No.	
Model	□ KK-IC-6320		
WARRANTY PERIOD	6 MONTHS	FOR THE SPECIFIED PERIOD FROM THE DATE OF SALE OR DELIVERY WHICHEVER IS EARLIER.	
Dealer's Invoice Date		Dealer's Invoice No.	
Buyer's Info (Name, Address, Phone, etc.):		Dealer's Stamp (Address, Phone, TIN, etc.):	
Buyer's Sign		Dealer's Sign	

Warranty Policy

What is covered: KisanKraft Limited and its manufacturers warrant this product to be free from defects in material or workmanship. All parts defective in material and workmanship are covered.

This warranty will only cover defects arising under normal usage.

This warranty is limited to repair or replacement by KisanKraft Limited or its manufacturers of such parts as appear to KisanKraft or its manufacturers, upon inspection, to be defective in material and/or workmanship. KisanKraft or its manufacturers make no warranty with respect to items not manufactured or sold by them. No onsite warranty is provided by KisanKraft Limited or its manufacturers. Defective items must be brought/sent to our Authorized Dealer or KisanKraft Limited's office for service.

What is not covered: The *warranty shall become null and void* and neither KisanKraft Limited nor any of its manufacturers, nor its authorized dealers assume any responsibility, if the failure was caused by the following:

(1) Operation of product with incorrect fuel or lubricants, (2) Incorrect usage of machine or misuse, (3) Lack of maintenance, (4) Negligence, (5) Accident or physical damage, (6) Repairs made by unauthorized parties and/or with unauthorized parts, (7) Improper set up, adjustments, tampering or altered products (8) Any modification to the product whatsoever.

Important: (1) Normal maintenance and adjustments to the product is the responsibility of the customer. (2) Normal wear and tear are not covered under warranty. (3) Rubber/plastic parts and consumables such as blades, clutch and clutch-bell, sparkplugs, nylon line, air-filters, fuel-filters, oil seals and gaskets etc. are not covered under the warranty. (4) Electrical Motor, Electrical Parts, Battery Etc. are not covered under the warranty.

Incidental / Consequential Loss: KisanKraft Limited or its manufacturers will not be liable for general damages, including bodily injuries, or for incidental or consequential damages including, but not limited to, loss of use, loss of profits, loss of production, expense of substitute equipment or other commercial loss or damage.

Limitation of Liability: This limited warranty is in lieu of all other express warranties, obligations, or liabilities. Any implied warranties, obligations, or liabilities, including, but not limited to, any implied warranty of merchantability shall be limited in duration to the applicable warranty period. Any action for breach of any warranties hereunder, including, but not limited to, any implied warranty of merchantability must be brought within the applicable warranty period.

Modifications of Warranty: No agent, representative, dealer, or employee of KisanKraft Limited or any of its manufacturers has the authority to increase or alter the obligations of this warranty.

Assignment / Transfer of warranty: The warranty cannot be assigned and shall not transfer if the product is resold by the first buyer. The above warranties are extended to the first end user (original purchaser), and no warranty is made, nor authorized to be made assignable on resale by the first end user.

What you must do to obtain limited warranty service: To obtain performance of any obligation under this warranty for failure during the applicable warranty period, you must deliver the defective product, to the nearest Authorized Dealer, along with proof-of-purchase (invoice/receipt). KisanKraft Limited, its manufacturers and its dealers reserve the right to inspect the claimed defective part(s) to determine if the malfunction is the result of a defect covered by this warranty. Please note that the decision of KisanKraft Limited with respect to any warranty claim is final.

After-sales Service (Including Warranty): KisanKraft Limited does not sell directly to consumers. All sales or supplies are made through Authorized Dealers. It is the responsibility of the Authorized Dealer to provide all after-sales service to consumers. Any warranty claim should be raised by dealer to KisanKraft Limited as per warranty policy.

Jurisdiction: All disputes are subject to Bangalore court's jurisdiction.

Notes:

- This purchase is not contingent upon a product demonstration. The purchaser shall satisfy himself with the product, including any product demonstration or verification of any function, before buying. KisanKraft Limited or its authorized dealers, including online sellers, shall not be liable to give any on-site demonstration after purchase of any of the product.
- Any product once used will not be taken back by KisanKraft Limited.
- Warranty and After Sale Services (including but not limited to installation, Demonstration, Repair, Routine Maintenance etc.), should be done through the Authorized Dealer selling this product.
- Dealers should have their own technician to provide After Sales Services to their Customers. KisanKraft Limited provides free training to Authorized Dealer's technicians at KisanKraft Limited's head office, on request from Authorized Dealer.

User Manual



KisanKraft Limited

Warehouse: 818 3B1 to 818 3B18, Podalakur - Sangam Road, Prabagiripatnam, Podalakur, Nellore - 524345, Andhra Pradesh, INDIA

Head Office: Sri Huchhanna Tower, #4, 1st Main, 7-A Cross, Maruthi Layout, Dasarahalli, HAF Post, Hebbal, Bangalore 560024, Karnataka, INDIA



Scan the QR code to download
KisanKraft App

App is available on



Scan the QR code for
KisanKraft Youtube Channel



CONTENTS

BEFORE GETTING STARTED 7

APPLICATION 7

SAFETY INSTRUCTIONS 7

OVERVIEW 9

Technical Specification 10

INSTALLATION AND ADJUSTMENT 11

OPERATION AND APPLICATION METHOD 12

OF INTERCULTIVATOR 12

PART DIAGRAM 21

Product	Agricultural Inter-Cultivator	KisanKraft Invoice Date	
Brand	KisanKraft	KisanKraft Invoice No.	
Model	□ KK-IC-6320		
WARRANTY PERIOD	6 MONTHS	FOR THE SPECIFIED PERIOD FROM THE DATE OF SALE OR DELIVERY WHICHEVER IS EARLIER.	
Dealer's Invoice Date		Dealer's Invoice No.	
Buyer's Info (Name, Address, Phone, etc.):		Dealer's Stamp (Address, Phone, TIN, etc.):	
Buyer's Sign		Dealer's Sign	

Warranty Policy

What is covered: KisanKraft Limited and its manufacturers warrant this product to be free from defects in material or workmanship. All parts defective in material and workmanship are covered.

This warranty will only cover defects arising under normal usage.

This warranty is limited to repair or replacement by KisanKraft Limited or its manufacturers of such parts as appear to KisanKraft or its manufacturers, upon inspection, to be defective in material and/or workmanship. KisanKraft or its manufacturers make no warranty with respect to items not manufactured or sold by them. No onsite warranty is provided by KisanKraft Limited or its manufacturers. Defective items must be brought/sent to our Authorized Dealer or KisanKraft Limited's office for service.

What is not covered: The *warranty shall become null and void* and neither KisanKraft Limited nor any of its manufacturers, nor its authorized dealers assume any responsibility, if the failure was caused by the following:

(1) Operation of product with incorrect fuel or lubricants, (2) Incorrect usage of machine or misuse, (3) Lack of maintenance, (4) Negligence, (5) Accident or physical damage, (6) Repairs made by unauthorized parties and/or with unauthorized parts, (7) Improper set up, adjustments, tampering or altered products (8) Any modification to the product whatsoever.

Important: (1) Normal maintenance and adjustments to the product is the responsibility of the customer. (2) Normal wear and tear are not covered under warranty. (3) Rubber/plastic parts and consumables such as blades, clutch and clutch-bell, sparkplugs, nylon line, air-filters, fuel-filters, oil seals and gaskets etc. are not covered under the warranty. (4) Electrical Motor, Electrical Parts, Battery Etc. are not covered under the warranty.

Incidental / Consequential Loss: KisanKraft Limited or its manufacturers will not be liable for general damages, including bodily injuries, or for incidental or consequential damages

This warranty is null & void, if you fail to register the warranty with KisanKraft by sending the KisanKraft Copy with dealer's stamp.

including, but not limited to, loss of use, loss of profits, loss of production, expense of substitute equipment or other commercial loss or damage.

Limitation of Liability: This limited warranty is in lieu of all other express warranties, obligations, or liabilities. Any implied warranties, obligations, or liabilities, including, but not limited to, any implied warranty of merchantability shall be limited in duration to the applicable warranty period. Any action for breach of any warranties hereunder, including, but not limited to, any implied warranty of merchantability must be brought within the applicable warranty period.

Modifications of Warranty: No agent, representative, dealer, or employee of KisanKraft Limited or any of its manufacturers has the authority to increase or alter the obligations of this warranty.

Assignment / Transfer of warranty: The warranty cannot be assigned and shall not transfer if the product is resold by the first buyer. The above warranties are extended to the first end user (original purchaser), and no warranty is made, nor authorized to be made assignable on resale by the first end user.

What you must do to obtain limited warranty service: To obtain performance of any obligation under this warranty for failure during the applicable warranty period, you must deliver the defective product, to the nearest Authorized Dealer, along with proof-of-purchase (invoice/receipt). KisanKraft Limited, its manufacturers and its dealers reserve the right to inspect the claimed defective part(s) to determine if the malfunction is the result of a defect covered by this warranty. Please note that the decision of KisanKraft Limited with respect to any warranty claim is final.

After-sales Service (Including Warranty): KisanKraft Limited does not sell directly to consumers. All sales or supplies are made through Authorized Dealers. It is the responsibility of the Authorized Dealer to provide all after-sales service to consumers. Any warranty claim should be raised by dealer to KisanKraft Limited as per warranty policy.

Jurisdiction: All disputes are subject to Bangalore court's jurisdiction.

Notes:

- This purchase is not contingent upon a product demonstration. The purchaser shall satisfy himself with the product, including any product demonstration or verification of any function, before buying. KisanKraft Limited or its authorized dealers, including online sellers, shall not be liable to give any on-site demonstration after purchase of any of the product.
- Any product once used will not be taken back by KisanKraft Limited.
- Warranty and After Sale Services (including but not limited to installation, Demonstration, Repair, Routine Maintenance etc.), should be done through the Authorized Dealer selling this product.
- Dealers should have their own technician to provide After Sales Services to their Customers. KisanKraft Limited provides free training to Authorized Dealer's technicians at KisanKraft Limited's head office, on request from Authorized Dealer.

This warranty is null & void, if you fail to register the warranty with KisanKraft by sending the KisanKraft Copy with dealer's stamp.

BEFORE GETTING STARTED

Thank you for purchasing our Inter-cultivator.

- This manual can guide you to solve the problems when you are installing, manipulating, and repairing the machine. With the continuous innovation and improvement of the products, the contents in the instruction manual may differ slightly from the actual situations, your understanding and pardon is highly appreciated. If you find some problems or have some good suggestions, please do not hesitate to contact your dealer.
- No part of this publication may be reproduced without written permission.
- This manual should be considered a permanent part of the intercultivator and remain with it if it is resold.

APPLICATION

This machine is small, lightweight, multi-functional, and with a high efficiency for intercultival/weeding operations. It can climb hills, run in water, walk over the field ridges and ditches, move freely, and change the directions easily, and it is especially applicable to various works in hilly area, dry land, paddy field, orchard, vegetable garden and greenhouse, etc. intercultival/weeding operations, ditching & ridging, and transport are the machine's basic functions. Moreover, after being equipped with relative devices and tools, it may be used to pump water, spray water and pesticide, reap the crops, generate electricity, fertilizer, implant seeds, threshing, cut tendrils, grind something, etc. The machine has a simple structure, can be easily repaired and its fuel consumption is less. It is your ideal micro agricultural machine.

SAFETY INSTRUCTIONS

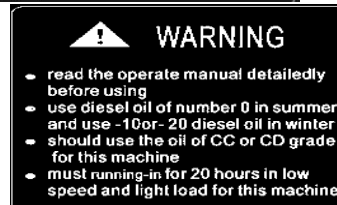
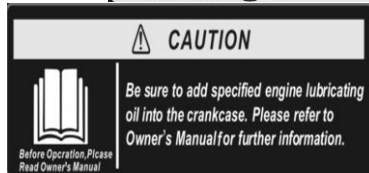
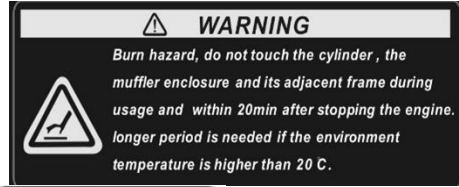
- Read the instructions carefully. Be familiar with the controls and the proper use of the equipment.
- Never allow children or people unfamiliar with these instructions to use the machine.
- Never work while people, especially children, or pets are nearby.
- Operator or owner is responsible for accidents or hazards to other people or their property.

Before starting the machine:

- Ensure sufficient engine oil.
- Press clutch during gear shifting.
- Load after idling the machine for 5 minutes.
- Close the choke for cold start
- Keep the choke half open for hot start.
- Before starting the machine, set shifting bar to the neutral position.
- When the machine is working, pay attention to the safety!
- Be careful not to be hurt by the rotary blades!
- While grasping the reverse handle, the shifting bar must be set to the neutral position.
- Fuel and lubricant must be clean.
- Clutch must be broken off when changing the shift.
- Please read the contents of nameplate on the handlebar carefully before using the machine.
- Must install the safety protecting board on the machine before using machine or after maintenance.

This warranty is null & void, if you fail to register the warranty with KisanKraft by sending the KisanKraft Copy with dealer's stamp.

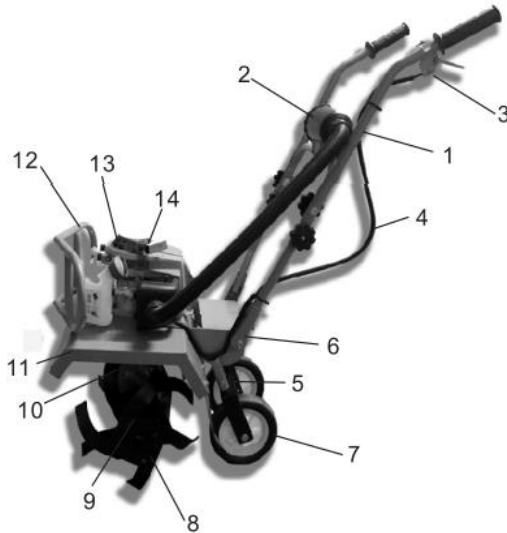
- Muffler is a high temperature spare part, do not touch the Inter-cultivator in work or out of work freshly.
- When the Inter-cultivator is working, keep an eye on the rotary parts, do not be too close to the machine to avoid being hurt by the rotary blades.
- Keep the components of oil box away from fire and smoke.
- Keep this machine stable before use and read the instruction carefully
- Please refuel on time
- Please pay attention to warning signs



This warranty is null & void, if you fail to register the warranty with KisanKraft by sending the KisanKraft Copy with dealer's stamp.

OVERVIEW

The product is mainly composed of petrol tank, gearbox, walking wheel, Intercultivator, fender, and hand handle.



1: Throttle switch	6: Main frame	11: Fender
2: Two level filter	7: Walking wheel	12: Protective rack
3: Hand handle	8: Blade	13: Power
4: Throttle line	9: Knife seat	14: Flameout switch
5: Resistance rod	10: Transmission box	

This warranty is null & void, if you fail to register the warranty with KisanKraft by sending the KisanKraft Copy with dealer's stamp.

TECHNICAL SPECIFICATION

Serial Number	Parameters	Unit	Details
	Auxiliary Power	/	Single Cylinder Air Cooling Two Strokes
2	Rated Power	Kw	1.95
3	Rated Speed	R/Min	9000 R/Min
4	Displacement	Cc	62
5	Ignition Mode	/	Cdi Contactless
6	Fuel	/	Petrol And Two Stroke Oil 25:1
7	Fuel Tank Capacity	L	3.6l
8	Startup Mode	/	Recoil Starts
9	Machine Overall	Cm	61*49*59 Cm
	Size		
10	Transmission		Two Stage Gear Drive
	Mode		
11	Maximum	Mm	122.5
	Rotation Radius		
12	Number Of Totals	Handl e	16 Pieces
	Installation Knives		
13	Net Structure	Kg	33
	Quality		
14	Plough Depth	<u>Mm</u>	100-180 (Sandy Soil)
15	Carburetor	/	Diaphragm
16	Weeding Depth	Cm	≥5
17	Weeding Width	Cm	30-35

This warranty is null & void, if you fail to register the warranty with KisanKraft by sending the KisanKraft Copy with dealer's stamp.

Note: The two-stroke petrol engine is strictly prohibited from using pure petrol as fuel, the petrol engine must use mixed oil, 90# or 92# petrol or the same brand of petrol and the two-stroke petrol engine oil (JSAO-FC level and above) of the volume mixture ratio is 25:1
For four stroke petrol engines, please use 90# or 92# or above pure petrol.

INSTALLATION AND ADJUSTMENT

Assembly after the opening of box

- Handlebar installation: Put the operator's hand on the machine to adjust the screw hole position and tighten the bolt.
- Installation of the control line of throttle line
 - Putting the switch on the throttle to the maximum.
 - The wire rope in the throttle line goes through the threading column and the fixed seat that above the adjusting plate of the engine throttle.
 - Tighten the wire rope and tighten the fixing screws on the fixing seat.
 - Repeatedly adjust the throttle switch.
- 1.3 Installation of the extinguishing line: Connect the extinguishing line at one end of the switch with the extinguishing line at the power end.

This warranty is null & void, if you fail to register the warranty with KisanKraft by sending the KisanKraft Copy with dealer's stamp.

OPERATION AND APPLICATION METHOD OF INTERCULTIVATOR

Before starting:

- Check the Intercultivator in detail to ensure that the Intercultivator is in a safe state. Especially the position of the rotary blade.
- It is necessary to maintain the distance between the Intercultivator and the refueling site at 3 meters.
- Ensure that there are no spectators or other animals around. In particular, there must be no people near the rotary knives.
- Pushing the flameout switch to the start position.

The refrigerator starts:

- Hold down the times of the carburetor oil pump until the fuel returns to the tubing that you can see the obvious oil flow.
- Properly close the blocking door: Winter is completely closed, summer is part closes, the heat engine is not closed, pulls the starter lightly for 4-6 times, then pull the starter's rope hardly to start the engine.
- After the engine starts, then put the choke at the fully open position slowly.
- After the start of the idle running for 3-5 minutes to preheat the petrol engine, then slowly increase the throttle to slowly raise the engine speed, at this time check whether the rotary blade is running, whether the whole machine vibration is too large, or whether the components of the screws are loose, normal work after everything is normal
- Hot machine start
- When the engine starts under the condition of heat engine, the door handle is placed in the fully open position.
- When starting, such as excessive inhalation of fuel may cause difficulty in starting, if it is advisable to lower the spark plug, and full open stop door wind starter for 10 times and above, then install the spark plug and start according to the foregoing
- method.

This warranty is null & void, if you fail to register the warranty with KisanKraft by sending the KisanKraft Copy with dealer's stamp.

Operation of Intercultivator

- hold your hands tightly. If you want to move the farming site, you should first stop the engine, and never allow your hand to grasp the rotary blade.
- After starting the machine, you must not touch the Intercultivator.
- All protection equipment, measures, and random belt of protective equipment must be used when working, only when the line is good and the line of sight is clear, the machine can be used.
- Do not use this machine for a long time, which should have rest for 10-15 minutes every 50 minutes, in the operation of stone or hard objects, please immediately turn off the machine and stick to the rotary knife.

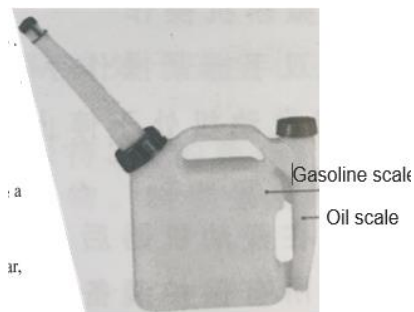
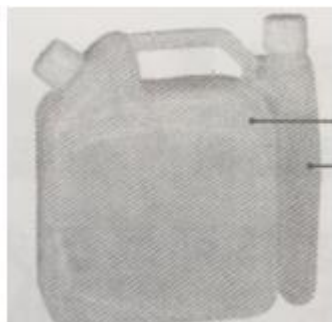
This warranty is null & void, if you fail to register the warranty with KisanKraft by sending the KisanKraft Copy with dealer's stamp.

Fuel oil

- 93# and above unleaded petrol and special two stroke oil or Mobil, the Great Wall are agreed to mix for FC grade two stroke oil.

Petrol	1000	2000	3000	4000	5000
Two stroke oil	50	100	150	200	250
Running time of petrol engine w<20hours	Petrol: Oil		Running time of petrol engine		Petrol: Oil
	20:01		>20 hours		25:01:00

- Add fuel in a well-ventilated area and stop the petrol engine when it comes to petrol. Do not add too much oil to the pot. The fuel volume is 80% of volume of the
- If the fuel is overflow or spilled, it must be thoroughly clear and clean, and ensure that the Oil bottle cap is screwed tightly before starting the petrol engine.
- Check the air filter, prohibit the operation of petrol engine without air filter or air filter sponge filter, otherwise it will accelerate the wear of petrol engine.
- Fresh gasoline must be used, and petrol cannot be stored for more than 30 days. Mixed fuel stored for more than 30 days will cause the carburetor to obstruct and the machine cannot be used normally.
- Petrol engine plus fuel or fuel storage, smoking is strictly prohibited. Carburetor, bearing and oil seal of the petrol engine.



This warranty is null & void, if you fail to register the warranty with KisanKraft by sending the KisanKraft Copy with dealer's stamp.

Starting method

1. Adding proper amount of mixed fuel in the oil pot and tighten the lid of the oil pot to make it completely impervious.
2. Pushing the switch off in the direction of "STOP" to make it open (Figure FI-1)
3. Continue to press the carburetor oil bubbles continuously by hand, and return the fuel to the oil pot until the return pipe (transparent tubing) (as shown in Fig. F1-2).
4. Pressing the choke to the full closed position (as shown in figure F1-3).
5. Holding the proper position of the petrol engine with one hand tightly, the other hand holds the starting handle tightly, and pull rope for 3-5 times quickly and continuously. If it can start, it will start the pull rope automatically and slowly back to the site. If it can't start, the damper door is turned back to 1/2 open or full, and then pull the rope smoothly and continuous for 3-5 times to start up (as shown in figure FI-4).



F1-1

F1-2

F1-3

F1-4

This warranty is null & void, if you fail to register the warranty with KisanKraft by sending the KisanKraft Copy with dealer's stamp.

Easy start device: Fast and continuous oblique balanced position can be activated by starting the handle. When you return, hold the starting handle tightly so that the pull rope can be automatically and evenly returned to the original position. Do not suddenly let go, so as not to start the handle to rebound quickly, which may cause damage to the boot assembly.

Note:

When the start is not at that time, if the cylinder inhale too much fuel will cause the phenomenon of flooding and it cannot start, you can go down the spark plug with the thumb of the left hand to hold the spark plug hole, pull the starter for 5-6 times continuously to discharge the oil, then install the spark plug, and operate according to the correct starting method

Attention: strictly prohibit the use of pure petrol as fuel, pure petrol will cause overheating of petrol engine and damage.

Pay special attention to:

No firework is prohibited in handling, refueling, or storing fuel, and it can only be mixed and stored in qualified petrol containers.

Most petrol engine failures are directly or indirectly caused by fuel contracts.

Adjustment of petrol engine

Every petrol engine must undergo strict commissioning and inspection before going out of factory.

Climate conditions or altitude differences may affect the performance of petrol engines, according to the actual use of minor adjustments.

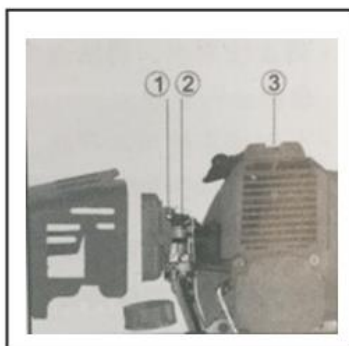
1. The adjustment of the gap between the magnetic flywheel (F2-1)

The gap between the magnetic flywheel and the high-pressure package should be between 0.25=0.4mm. If it is not in this range, you can loosen two M5*25-cylinder screws and replaced by a 0.25=0.4mm tape or a coke bottle between the magnetic flywheel and the high-pressure package, and the high-pressure package can be adjusted to ensure the gap at 0.25= 0.4mm and tighten two screws.

This warranty is null & void, if you fail to register the warranty with KisanKraft by sending the KisanKraft Copy with dealer's stamp.

2. Spark plug (F2-2)

- After 50 hours of use, the spark plug should be removed. Carbon brush or wire brush will be used to clean the carbon or dirt of the spark plug on the electrode. The spark plug gap should be guaranteed to be between 0.6=0.7mm.
- The spark plug should be cleaned or replaced every 100 hours or every quarter to ensure the performance of the spark plug.
- Do not sandblast clean the spark plugs, use carbon brush, or wire brush to clean or remove the carbon solvent. If the cap spring is not fully installed in the spark plug, the spark may not appear. If necessary, the connection of the wire can be corrected. Please use the manufacturer to specify the brand.
- When installing the spark plug, turn it with your hand first and tighten it with the special socket wrench of spark plug. (If the force is too high, the cylinder and spark plug will be damaged. If the screw force is too small, there will be air leakage). The torque is $15.3=22.4N*m$



This warranty is null & void, if you fail to register the warranty with KisanKraft by sending the KisanKraft Copy with dealer's stamp.

- The regulation of the carburetor (F2-3/F2-4)

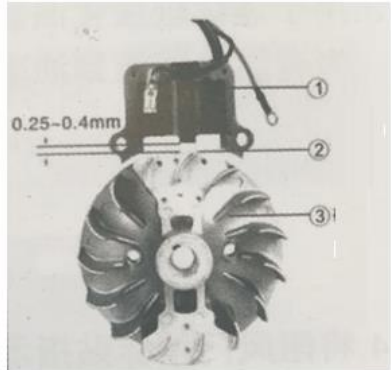
Before adjusting the carburetor, the air filter and fuel filter must be cleaned. The petrol engine needs to be preheated for 5-10 minutes.

Idle speed adjustment screw: This screw is used to adjust the petrol engine after stating the door for the drive mechanism does not work. When the engine speed the right (clockwise direction) twisting, the speed will rise, when it turns the left (counterclockwise) twist, the speed will drop. It is necessary to correct Use the manufacturer to make the brand when replacing it.

Adjust the speed range: Petrol engine idle speed:

3000-3300r/min that the

Petrol engine is easy to start, if it does not extinguish, the transmission mechanism is not working



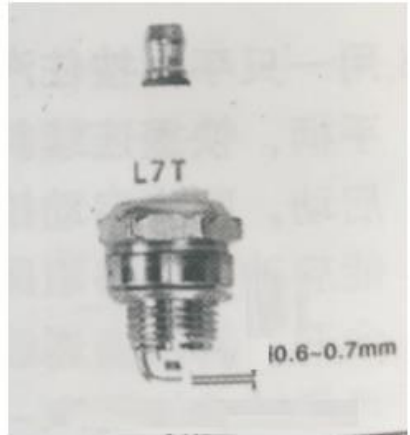
This warranty is null & void, if you fail to register the warranty with KisanKraft by sending the KisanKraft Copy with dealer's stamp.

- The idle speed of each petrol engine is strictly adjusted by technical personnel without repeated operation.

The idle screw is designed to ensure that the petrol engine has enough safety distance during the idle operation and when the clutch is combined

Mixing ratio adjusting screw: The screw is used to adjust the speed of a

petrol engine when the petrol engine is running at no load, and it can operate at a higher performance.



This warranty is null & void, if you fail to register the warranty with KisanKraft by sending the KisanKraft Copy with dealer's stamp.

Adjustment method: When it is in the idle state, the petrol engine uses one Word screwdriver to turn the mixing ratio screw to the right, which twists it to the end.

and then goes back to the left spin for 2. 5 circles, then the throttle is fully opened and the 1/8 circle is adjusted to 880fi9200r/min.

If there is no tachometer, you can listen to the sound of petrol engine at no load and high speed, its voice cannot whistle, be dull and smooth.

The no load and high speed of every petrol engine is strictly adjusted by technicians, and no repetitive operation is required.

1. **Idle speed adjusting screw**
2. **Mixing ratio adjusting screw**
3. **Petrol engine**

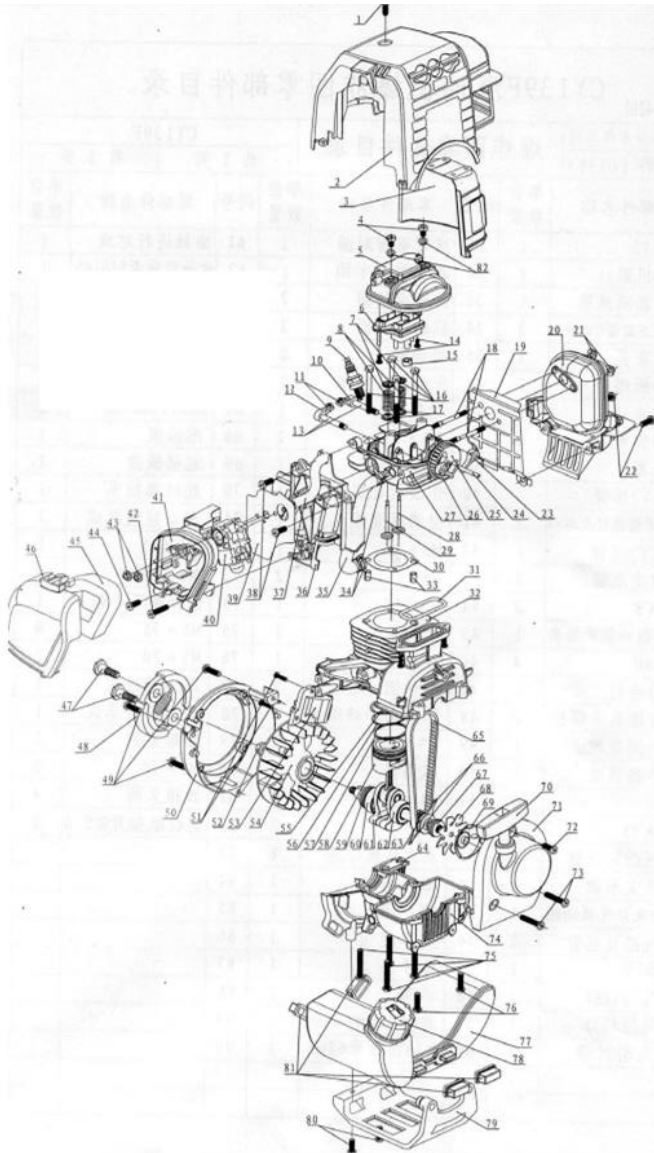
Different climate conditions or altitude will affect the carburetor. If you debug the carburetor, you need to adjust it under the guidance of professionals.

Notice:

When the carburetor is adjusted, the drill must be removed to avoid accidents.

This warranty is null & void, if you fail to register the warranty with KisanKraft by sending the KisanKraft Copy with dealer's stamp.

PART DIAGRAM



This warranty is null & void, if you fail to register the warranty with KisanKraft by sending the KisanKraft Copy with dealer's stamp.

PART LIST

SI.NO.	PART NAME	QTYNO
	SCREW M5*15	1
2	ENGINE COVER	1
3	ADIABATIC WASHER	1
4	SCREW M5*12	2
5	ROCKER CHAMBERLID	1
6	RETURE OIL BOARD	1
7	VALVE LOCK	2
8	VALVE SPRING	2
9	SPARK PLUG	1
10	EXHAUST VALVEROCKER	1
11	ADJUST SCREW	2
12	INLET VALVE TAPROCKER	1
13	ROCKER SHAFT	2
14	SCREW M4*8	2
15	OIL PIPE SHEATH	1
16	SCREW M5*40	4
17	VALVE OIL SEAL	2
18	MUFFLER DUAL-HEAD SCREW	2
19	EXHAUST WIND BOARD	1
20	MUFFLER ASSEMBLY	1
21	M5	2
22	SCREW M5*15	2
23	EXHAUST CAMROCKER	1
24	CAM SHAFT	1
25	PASSIVE WHEEL	1
26	INLET VALVE CAMROCKER	2
27	CYLINDER HEAD	1
28	EXHAUST VALVE(ZE)	1
29	INLET VALVE(ZI)	1
30	CYLINDER HEAD GASKET	1

This warranty is null & void, if you fail to register the warranty with KisanKraft by sending the KisanKraft Copy with dealer's stamp.

SI.NO.	PART NAME	QTYNO
31	STRAP CHAMER GASKET	1
32	THEFIRSTHALFCRANKCASE	1
33	ORIENTATIONPIN	2
34	OIL PIPE CLIP	2
35	LUBRICATING OIL PIPE	1
36	CARBURETORINSTALL SEAT	1
37	INLET AIR PIPE	1
38	SCREW M5*15	2
39	CARBURETOR WASHER	1
40	CARBURETOR ASSEMBLY	1
41	AIR FILTER SHELL	1
42	SCREW M5*25	1
43	SCREW M5	2
44	SCREW M5*15	1
45	AIR FILTER SPONGE	1
46	AIR FILTER COVER	1
47	CLUTCH SHOE SCREW	
48	CLUTCH ASSEMBLY	2
49	SCREW M5*20	1
50	FANCOVER	3
51	SCREW M4*15	1
52	SCREW M8	2
53	COIL ASSEMBLY	2
54	MAGNETIFLY WHEEL	1
55	PISTONRINGFOR AIR (1)	1
56	PISTON RING (2)	1
57	PISTONRINGE FOR OIL	1
58	PISTON	1
59	OIL SEAL 0 15x0 25x6	1
60	BEARING 6202	1

This warranty is null & void, if you fail to register the warranty with KisanKraft by sending the KisanKraft Copy with dealer's stamp.

SI.NO.	PART NAME	QTY NO
61	CRANK SHAFT ASSEMBLY	1
62	BEARING620IRS	1
63	TIMING BELT WHEEL	1
64	VALVE	1
65	TIMING BELT	1
66	THROW OIL BOARD	1
67	OIL SEAL 10*20*5	2
68	FAN	1
69	STARTER PLATE	1
70	STARTER KNOB	1
71	STARTER SET ASSEMBLY	1
72	SCREW M5*15	1
73	SCREW M5*30	2
74	THE SECONDHAF CRANK CASE	
75	SCREW M5*35	4
76	SCREW M5*20	2
77	FUEL TANK ASSEMBLY	1
78	FUEL TANK LID ASSEMBLY	1
79	FUEL TANK BRACKET	1
80	SCREW M5*15	2
81	ANTI-VIBRATION GASKET	4
82	Ø5.3	2

This warranty is null & void, if you fail to register the warranty with KisanKraft by sending the KisanKraft Copy with dealer's stamp.

KisanKraft has a large range of products to serve the farmers. A list of our products is given below:

<p>Brush Cutters and Accessories</p> <ul style="list-style-type: none"> Brush Cutter/Power Weeder Backpack Brush Cutter Tea Pruner Pole pruner with Engine Reaper Attachment Blades-Circular Blades (2 & 3 points) Baffle Nylon Rope Tap & Go <p>Chainsaws</p> <ul style="list-style-type: none"> Petrol Chainsaw Electric Chainsaw Chain Sharpening Machine <p>Engines and Water Pumps</p> <ul style="list-style-type: none"> Engine –Diesel-(Horizontal) Engine –Diesel (Vertical) Engine-Kerosene Water Pump with Petrol Engine Water Pump with Kerosene Engine Water Pump with Diesel Engine <p>Hand Tools</p> <ul style="list-style-type: none"> Secateurs Folding Saw Garden Rake Garden Shovel Hedge Shear Lopper Telescopic Hedge Shear Telescopic Lopping Shear Tree Pruner Telescopic Steel Pipe & Fruit Picker Bag Sheep Shear <p>Garden Tools</p> <ul style="list-style-type: none"> Electric Pressure Washer Hedge Trimmer Lawn Mower (Electric, Petrol & Manual) Leaf Blower 	<p>Cultivators and Accessories</p> <ul style="list-style-type: none"> Petrol and Diesel <p>Sprayers and Accessories</p> <ul style="list-style-type: none"> Battery Sprayer Portable Power Sprayer Trolley Sprayer Manual Knapsack Sprayer Manual Pressure Sprayer Rose Cans Hose Crimping Machine HTP Sprayer HTP Delivery Hose HTP Hose Reel HTP Stand HTP Gun / Lance (Brass Rod) Knapsack Power Sprayer Mister / Duster / Granule Spreader HTP Sprayer Set with Diesel Engine HTP Sprayer Set with Kerosene Engine Fogging Machine <p>Milking Machine</p> <ul style="list-style-type: none"> Wood Shredder Fodder Ensiling Chaff Cutter Fodder Grinder Chaff Cutter Fodder Mini Chaff Cutter <p>Harvester</p> <ul style="list-style-type: none"> Maize Sheller Maize Sheller + Dehusker Maize Combine Harvester Onion Digger Carlotta Italy Tea Leaf Harvester Sugarcane Combine Harvester Sugarcane Leaf Stripper <p>Transplanter and Post Hole Digger</p> <ul style="list-style-type: none"> Paddy Transplanter (2 & 8 Rows) Transplanter-Vegetable & Tobacco Post Hole Digger (4" to 14" Augers)
---	--

This warranty is null & void, if you fail to register the warranty with KisanKraft by sending the KisanKraft Copy with dealer's stamp.



Wide Range of Products for Every Need



For more information give **MISSED CALL: 07676065555**



Many of our products have BIS: ISI certification.



This warranty is null & void, if you fail to register the warranty with KisanKraft by sending the KisanKraft Copy with dealer's stamp.

Product	Agricultural Inter-Cultivator	KisanKraft Invoice Date	
Brand	KisanKraft	KisanKraft Invoice No.	
Model	□ KK-IC-6320		
WARRANTY PERIOD	6 MONTHS	FOR THE SPECIFIED PERIOD FROM THE DATE OF SALE OR DELIVERY WHICHEVER IS EARLIER.	
Dealer's Invoice Date		Dealer's Invoice No.	
Buyer's Info (Name, Address, Phone, etc.):		Dealer's Stamp (Address, Phone, TIN, etc.):	
Buyer's Sign		Dealer's Sign	

Warranty Policy

What is covered: KisanKraft Limited and its manufacturers warrant this product to be free from defects in material or workmanship. All parts defective in material and workmanship are covered.

This warranty will only cover defects arising under normal usage.

This warranty is limited to repair or replacement by KisanKraft Limited or its manufacturers of such parts as appear to KisanKraft or its manufacturers, upon inspection, to be defective in material and/or workmanship. KisanKraft or its manufacturers make no warranty with respect to items not manufactured or sold by them. No onsite warranty is provided by KisanKraft Limited or its manufacturers. Defective items must be brought/sent to our Authorized Dealer or KisanKraft Limited's office for service.

What is not covered: The *warranty shall become null and void* and neither KisanKraft Limited nor any of its manufacturers, nor its authorized dealers assume any responsibility, if the failure was caused by the following:

(1) Operation of product with incorrect fuel or lubricants, (2) Incorrect usage of machine or misuse, (3) Lack of maintenance, (4) Negligence, (5) Accident or physical damage, (6) Repairs made by unauthorized parties and/or with unauthorized parts, (7) Improper set up, adjustments, tampering or altered products (8) Any modification to the product whatsoever.

Important: (1) Normal maintenance and adjustments to the product is the responsibility of the customer. (2) Normal wear and tear are not covered under warranty. (3) Rubber/plastic parts and consumables such as blades, clutch and clutch-bell, sparkplugs, nylon line, air-filters, fuel-filters, oil seals and gaskets etc. are not covered under the warranty. (4) Electrical Motor, Electrical Parts, Battery Etc. are not covered under the warranty.

Incidental / Consequential Loss: KisanKraft Limited or its manufacturers will not be liable for general damages, including bodily injuries, or for incidental or consequential damages

This warranty is null & void, if you fail to register the warranty with KisanKraft by sending the KisanKraft Copy with dealer's stamp.

including, but not limited to, loss of use, loss of profits, loss of production, expense of substitute equipment or other commercial loss or damage.

Limitation of Liability: This limited warranty is in lieu of all other express warranties, obligations, or liabilities. Any implied warranties, obligations, or liabilities, including, but not limited to, any implied warranty of merchantability shall be limited in duration to the applicable warranty period. Any action for breach of any warranties hereunder, including, but not limited to, any implied warranty of merchantability must be brought within the applicable warranty period.

Modifications of Warranty: No agent, representative, dealer, or employee of KisanKraft Limited or any of its manufacturers has the authority to increase or alter the obligations of this warranty.

Assignment / Transfer of warranty: The warranty cannot be assigned and shall not transfer if the product is resold by the first buyer. The above warranties are extended to the first end user (original purchaser), and no warranty is made, nor authorized to be made assignable on resale by the first end user.

What you must do to obtain limited warranty service: To obtain performance of any obligation under this warranty for failure during the applicable warranty period, you must deliver the defective product, to the nearest Authorized Dealer, along with proof-of-purchase (invoice/receipt). KisanKraft Limited, its manufacturers and its dealers reserve the right to inspect the claimed defective part(s) to determine if the malfunction is the result of a defect covered by this warranty. Please note that the decision of KisanKraft Limited with respect to any warranty claim is final.

After-sales Service (Including Warranty): KisanKraft Limited does not sell directly to consumers. All sales or supplies are made through Authorized Dealers. It is the responsibility of the Authorized Dealer to provide all after-sales service to consumers. Any warranty claim should be raised by dealer to KisanKraft Limited as per warranty policy.

Jurisdiction: All disputes are subject to Bangalore court's jurisdiction.

Notes:

- This purchase is not contingent upon a product demonstration. The purchaser shall satisfy himself with the product, including any product demonstration or verification of any function, before buying. KisanKraft Limited or its authorized dealers, including online sellers, shall not be liable to give any on-site demonstration after purchase of any of the product.
- Any product once used will not be taken back by KisanKraft Limited.
- Warranty and After Sale Services (including but not limited to installation, Demonstration, Repair, Routine Maintenance etc.), should be done through the Authorized Dealer selling this product.
- Dealers should have their own technician to provide After Sales Services to their Customers. KisanKraft Limited provides free training to Authorized Dealer's technicians at KisanKraft Limited's head office, on request from Authorized Dealer.

This warranty is null & void, if you fail to register the warranty with KisanKraft by sending the KisanKraft Copy with dealer's stamp.