

|  |                                      |  |  |
|--|--------------------------------------|--|--|
| Product                                    | <b>Agricultural Inter-Cultivator</b> | KisanKraft Invoice Date  |  |
| Brand                                      | <b>KisanKraft</b>                    | KisanKraft Invoice No.   |  |
| Model                                      | <b>□ KK-IC-520</b>                   |  |  |
| <b>WARRANTY PERIOD</b>                     | <b>6 MONTHS</b>                      | FOR THE SPECIFIED PERIOD FROM THE DATE OF SALE OR DELIVERY WHICHEVER IS EARLIER. |  |
| Dealer's Invoice Date                      |                                      | Dealer's Invoice No.   |  |
| Buyer's Info (Name, Address, Phone, etc.): |                                      | Dealer's Stamp (Address, Phone, TIN, etc.):                                      |  |
| Buyer's Sign                               |                                      | Dealer's Sign  |  |

### Warranty Policy

**What is covered:** KisanKraft Limited and its manufacturers warrant this product to be free from defects in material or workmanship. All parts defective in material and workmanship are covered.

This warranty will only cover defects arising under normal usage.

This warranty is limited to repair or replacement by KisanKraft Limited or its manufacturers of such parts as appear to KisanKraft or its manufacturers, upon inspection, to be defective in material and/or workmanship. KisanKraft or its manufacturers make no warranty with respect to items not manufactured or sold by them. No onsite warranty is provided by KisanKraft Limited or its manufacturers. Defective items must be brought/sent to our Authorized Dealer or KisanKraft Limited's office for service.

**What is not covered:** The *warranty shall become null and void* and neither KisanKraft Limited nor any of its manufacturers, nor its authorized dealers assume any responsibility, if the failure was caused by the following:

(1) Operation of product with incorrect fuel or lubricants, (2) Incorrect usage of machine or misuse, (3) Lack of maintenance, (4) Negligence, (5) Accident or physical damage, (6) Repairs made by unauthorized parties and/or with unauthorized parts, (7) Improper set up, adjustments, tampering or altered products (8) Any modification to the product whatsoever.

**Important:** (1) Normal maintenance and adjustments to the product is the responsibility of the customer. (2) Normal wear and tear are not covered under warranty. (3) Rubber/plastic parts and consumables such as blades, clutch and clutch-bell, sparkplugs, nylon line, air-filters, fuel-filters, oil seals and gaskets etc. are not covered under the warranty. (4) Electrical Motor, Electrical Parts, Battery Etc. are not covered under the warranty.

**Incidental / Consequential Loss:** KisanKraft Limited or its manufacturers will not be liable for general damages, including bodily injuries, or for incidental or consequential damages including, but not limited to, loss of use, loss of profits, loss of production, expense of substitute equipment or other commercial loss or damage.

**Limitation of Liability:** This limited warranty is in lieu of all other express warranties, obligations, or liabilities. Any implied warranties, obligations, or liabilities, including, but not limited to, any implied warranty of merchantability shall be limited in duration to the applicable warranty period. Any action for breach of any warranties hereunder, including, but not limited to, any implied warranty of merchantability must be brought within the applicable warranty period.

**Modifications of Warranty:** No agent, representative, dealer, or employee of KisanKraft Limited or any of its manufacturers has the authority to increase or alter the obligations of this warranty.

**Assignment / Transfer of warranty:** The warranty cannot be assigned and shall not transfer if the product is resold by the first buyer. The above warranties are extended to the first end user (original purchaser), and no warranty is made, nor authorized to be made assignable on resale by the first end user.

**What you must do to obtain limited warranty service:** To obtain performance of any obligation under this warranty for failure during the applicable warranty period, you must deliver the defective product, to the nearest Authorized Dealer, along with proof-of-purchase (invoice/receipt). KisanKraft Limited, its manufacturers and its dealers reserve the right to inspect the claimed defective part(s) to determine if the malfunction is the result of a defect covered by this warranty. Please note that the decision of KisanKraft Limited with respect to any warranty claim is final.

**After-sales Service (Including Warranty):** KisanKraft Limited does not sell directly to consumers. All sales or supplies are made through Authorized Dealers. It is the responsibility of the Authorized Dealer to provide all after-sales service to consumers. Any warranty claim should be raised by dealer to KisanKraft Limited as per warranty policy.

**Jurisdiction:** All disputes are subject to Bangalore court's jurisdiction.

**Notes:**

- This purchase is not contingent upon a product demonstration. The purchaser shall satisfy himself with the product, including any product demonstration or verification of any function, before buying. KisanKraft Limited or its authorized dealers, including online sellers, shall not be liable to give any on-site demonstration after purchase of any of the product.
- Any product once used will not be taken back by KisanKraft Limited.
- Warranty and After Sale Services (including but not limited to installation, Demonstration, Repair, Routine Maintenance etc.), should be done through the Authorized Dealer selling this product.
- Dealers should have their own technician to provide After Sales Services to their Customers. KisanKraft Limited provides free training to Authorized Dealer's technicians at KisanKraft Limited's head office, on request from Authorized Dealer.

# User Manual



## ***KisanKraft Limited***

Podalukur Sangam Road, Opp. Sudalagunta Sugar Factory, Prabhagiripatnam Village,  
Podalukur Mandal Sri Potti Sreeramulu, Nellore - 524 345, Andhra Pradesh

◆ Bangalore (HO) ◆ Nellore (Factory) ◆ Ahmedabad ◆ Bhopal ◆ Bhubaneswar ◆ Coimbatore ◆  
◆ Jammu ◆ Guwahati ◆ Hubli ◆ Hyderabad ◆ Jaipur ◆ Karnal ◆ Kolkata ◆ Lucknow ◆ Patna ◆ Pune ◆ Raipur



Scan the QR code to download  
**KisanKraft App**

App is available on



Scan the QR code for  
**KisanKraft Youtube Channel**



**CONTENTS**

BEFORE GETTING STARTED ..... 7

APPLICATION ..... 7

SAFETY INSTRUCTIONS ..... 7

OVERVIEW ..... 9

TECHNICAL SPECIFICATION ..... 10

ASSEMBLING AND ADJUSTMENT ..... 11

OPERATION ..... 13

MAINTENANCE ..... 13

PART DIAGRAM ..... 15

|  |                                      |  |  |
|--|--------------------------------------|--|--|
| Product                                    | <b>Agricultural Inter-Cultivator</b> | KisanKraft Invoice Date  |  |
| Brand                                      | <b>KisanKraft</b>                    | KisanKraft Invoice No.   |  |
| Model                                      | <b>□ KK-IC-520</b>                   |  |  |
| <b>WARRANTY PERIOD</b>                     | <b>6 MONTHS</b>                      | FOR THE SPECIFIED PERIOD FROM THE DATE OF SALE OR DELIVERY WHICHEVER IS EARLIER. |  |
| Dealer's Invoice Date                      |                                      | Dealer's Invoice No.   |  |
| Buyer's Info (Name, Address, Phone, etc.): |                                      | Dealer's Stamp (Address, Phone, TIN, etc.):                                      |  |
| Buyer's Sign                               |                                      | Dealer's Sign  |  |

### Warranty Policy

**What is covered:** KisanKraft Limited and its manufacturers warrant this product to be free from defects in material or workmanship. All parts defective in material and workmanship are covered.

This warranty will only cover defects arising under normal usage.

This warranty is limited to repair or replacement by KisanKraft Limited or its manufacturers of such parts as appear to KisanKraft or its manufacturers, upon inspection, to be defective in material and/or workmanship. KisanKraft or its manufacturers make no warranty with respect to items not manufactured or sold by them. No onsite warranty is provided by KisanKraft Limited or its manufacturers. Defective items must be brought/sent to our Authorized Dealer or KisanKraft Limited's office for service.

**What is not covered:** The *warranty shall become null and void* and neither KisanKraft Limited nor any of its manufacturers, nor its authorized dealers assume any responsibility, if the failure was caused by the following:

(1) Operation of product with incorrect fuel or lubricants, (2) Incorrect usage of machine or misuse, (3) Lack of maintenance, (4) Negligence, (5) Accident or physical damage, (6) Repairs made by unauthorized parties and/or with unauthorized parts, (7) Improper set up, adjustments, tampering or altered products (8) Any modification to the product whatsoever.

**Important:** (1) Normal maintenance and adjustments to the product is the responsibility of the customer. (2) Normal wear and tear are not covered under warranty. (3) Rubber/plastic parts and consumables such as blades, clutch and clutch-bell, sparkplugs, nylon line, air-filters, fuel-filters, oil seals and gaskets etc. are not covered under the warranty. (4) Electrical Motor, Electrical Parts, Battery Etc. are not covered under the warranty.

**Incidental / Consequential Loss:** KisanKraft Limited or its manufacturers will not be liable for general damages, including bodily injuries, or for incidental or consequential damages

**This warranty is null & void, if you fail to register the warranty with KisanKraft by sending the KisanKraft Copy with dealer's stamp.**

including, but not limited to, loss of use, loss of profits, loss of production, expense of substitute equipment or other commercial loss or damage.

**Limitation of Liability:** This limited warranty is in lieu of all other express warranties, obligations, or liabilities. Any implied warranties, obligations, or liabilities, including, but not limited to, any implied warranty of merchantability shall be limited in duration to the applicable warranty period. Any action for breach of any warranties hereunder, including, but not limited to, any implied warranty of merchantability must be brought within the applicable warranty period.

**Modifications of Warranty:** No agent, representative, dealer, or employee of KisanKraft Limited or any of its manufacturers has the authority to increase or alter the obligations of this warranty.

**Assignment / Transfer of warranty:** The warranty cannot be assigned and shall not transfer if the product is resold by the first buyer. The above warranties are extended to the first end user (original purchaser), and no warranty is made, nor authorized to be made assignable on resale by the first end user.

**What you must do to obtain limited warranty service:** To obtain performance of any obligation under this warranty for failure during the applicable warranty period, you must deliver the defective product, to the nearest Authorized Dealer, along with proof-of-purchase (invoice/receipt). KisanKraft Limited, its manufacturers and its dealers reserve the right to inspect the claimed defective part(s) to determine if the malfunction is the result of a defect covered by this warranty. Please note that the decision of KisanKraft Limited with respect to any warranty claim is final.

**After-sales Service (Including Warranty):** KisanKraft Limited does not sell directly to consumers. All sales or supplies are made through Authorized Dealers. It is the responsibility of the Authorized Dealer to provide all after-sales service to consumers. Any warranty claim should be raised by dealer to KisanKraft Limited as per warranty policy.

**Jurisdiction:** All disputes are subject to Bangalore court's jurisdiction.

#### Notes:

- This purchase is not contingent upon a product demonstration. The purchaser shall satisfy himself with the product, including any product demonstration or verification of any function, before buying. KisanKraft Limited or its authorized dealers, including online sellers, shall not be liable to give any on-site demonstration after purchase of any of the product.
- Any product once used will not be taken back by KisanKraft Limited.
- Warranty and After Sale Services (including but not limited to installation, Demonstration, Repair, Routine Maintenance etc.), should be done through the Authorized Dealer selling this product.
- Dealers should have their own technician to provide After Sales Services to their Customers. KisanKraft Limited provides free training to Authorized Dealer's technicians at KisanKraft Limited's head office, on request from Authorized Dealer.

**This warranty is null & void, if you fail to register the warranty with KisanKraft by sending the KisanKraft Copy with dealer's stamp.**

## BEFORE GETTING STARTED

Thank you for purchasing our Inter-cultivator.

- This manual can guide you to solve the problems when you are installing, manipulating, and repairing the machine. With the continuous innovation and improvement of the products, the contents in the instruction manual may differ slightly from the actual situations, your understanding and pardon is highly appreciated. If you find some problems or have some good suggestions, please do not hesitate to contact your dealer.
- No part of this publication may be reproduced without written permission.
- This manual should be considered a permanent part of the intercultivator and remain with it if it is resold.

## APPLICATION

This machine is small, lightweight, multi-functional, and with a high efficiency for Intercultural/weeding operations. It can climb hills, run in water, walk over the field ridges and ditches, move freely, and change the directions easily, and it is especially applicable to various works in hilly area, dry land, paddy field, orchard, vegetable garden and greenhouse, etc. Intercultural/weeding operations, ditching & ridging, and transport are the machine's basic functions. Moreover, after being equipped with relative devices and tools, it may be used to pump water, spray water and pesticide, reap the crops, generate electricity, fertilizer, implant seeds, threshing, cut tendrils, grind something, etc. The machine has a simple structure, can be easily repaired and its fuel consumption is less. It is your ideal micro agricultural machine.

## SAFETY INSTRUCTIONS

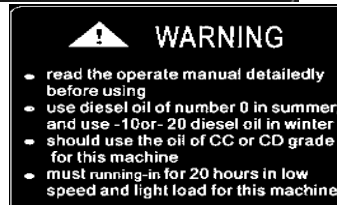
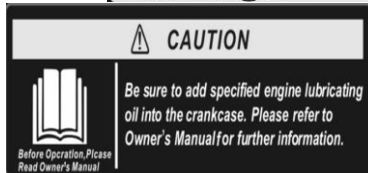
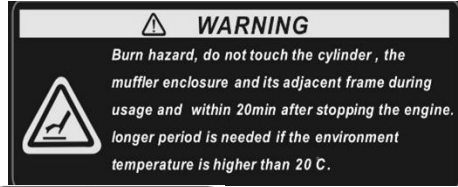
- Read the instructions carefully. Be familiar with the controls and the proper use of the equipment.
- Never allow children or people unfamiliar with these instructions to use the machine.
- Never work while people, especially children, or pets are nearby.
- Operator or owner is responsible for accidents or hazards to other people or their property.

### Before starting the machine:

- Ensure sufficient engine oil.
- Press clutch during gear shifting.
- Load after idling the machine for 5 minutes.
- Close the choke for cold start
- Keep the choke half open for hot start.
- Before starting the machine, set shifting bar to the neutral position.
- When the machine is working, pay attention to the safety!
- Be careful not to be hurt by the rotary blades!
- While grasping the reverse handle, the shifting bar must be set to the neutral position.
- Fuel and lubricant must be clean.
- Clutch must be broken off when changing the shift.
- Please read the contents of nameplate on the handlebar carefully before using the machine.
- Must install the safety protecting board on the machine before using machine or after maintenance.

**This warranty is null & void, if you fail to register the warranty with KisanKraft by sending the KisanKraft Copy with dealer's stamp.**

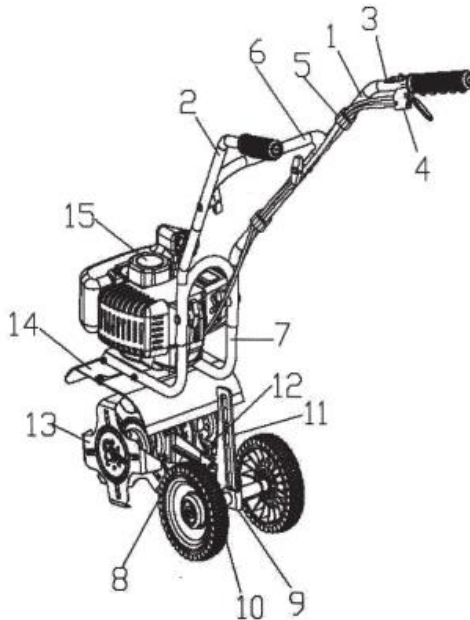
- Muffler is a high temperature spare part, do not touch the Inter-cultivator in work or out of work freshly.
- When the Inter-cultivator is working, keep an eye on the rotary parts, do not be too close to the machine to avoid being hurt by the rotary blades.
- Keep the components of oil box away from fire and smoke.
- Keep this machine stable before use and read the instruction carefully
- Please refuel on time
- Please pay attention to warning signs



**This warranty is null & void, if you fail to register the warranty with KisanKraft by sending the KisanKraft Copy with dealer's stamp.**



### OVERVIEW



|                        |                  |                          |                            |
|------------------------|------------------|--------------------------|----------------------------|
| 1.Right handle         | 2. left handle   | 3. stop switch           | 4. throttle lever assembly |
| 5.Fasten buckle        | 6. middle handle | 7. down handle           | 8. Back bracket            |
| 9. Wheel adjuster base | 10.wheel         | 11. Wheel adjuster plate | 12. Depth skid             |
| 13. blade              | 14. Mud guard    | 15.engine                |                            |

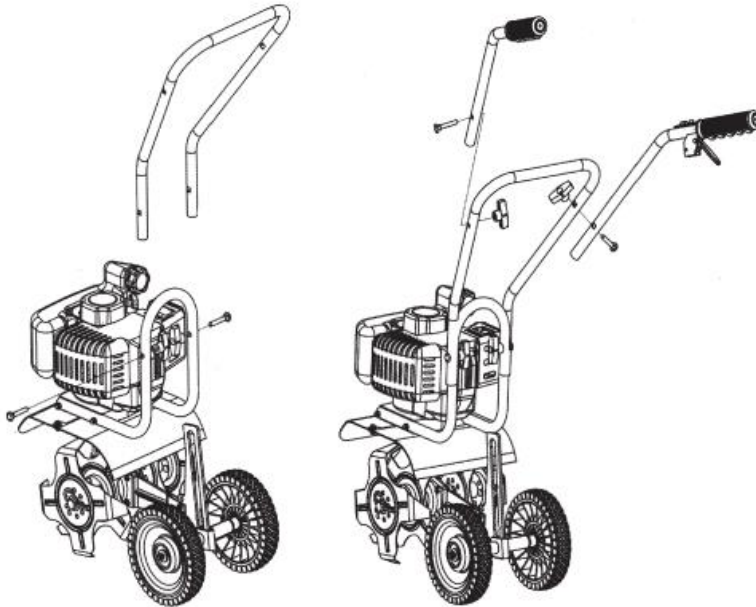
**This warranty is null & void, if you fail to register the warranty with KisanKraft by sending the KisanKraft Copy with dealer's stamp.**

**TECHNICAL SPECIFICATION**

|               |  |   |
|---------------|--|---|
| <b>Body</b>   | Transmit method                        | Centrifugal friction clutch                               |
|               | Intercultural/weeding operations width | 30 cm   |
|               | Reduction ratio                        | 32:01:00  |
|               | Net weight                             | 14kg  |
| <b>Engine</b> | Engine type                            | 2-stroke Petrol Engine                                    |
|               | Discharging volume                     | 52cc  |
|               | Method of starting                     | Recoil starting   |
|               | Igniting mode                          | Not pot of touch ignition                                 |
|               | Ratio of the mixing oil                | Mixing rate between 90# Petrol and two-stroke oil is 25:1 |
|               | Standard power                         | 1.47kw /6500 r/min  |

**This warranty is null & void, if you fail to register the warranty with KisanKraft by sending the KisanKraft Copy with dealer's stamp.**

## ASSEMBLING AND ADJUSTMENT



### I Assembly of middle and down handles (Fig.1)

As fig 1 shows, insert the middle handle to down handle until the holes match, and then fasten the two handles by the bolts and nuts.

### II. Assembly of left/right handle

As above fig 2. first, match the left/right handle holes to the middle handle holes, fasten the bolts and nuts.

**This warranty is null & void, if you fail to register the warranty with KisanKraft by sending the KisanKraft Copy with dealer's stamp.**

### III. Assembly of throttle wire

A head of throttle wire connected to the carburetor; the other head connected to the throttle lever assy. First, adjust the throttle lever at the bottom, and then insert the big head of the throttle wire to the hole of the throttle lever assy. Put the throttle wire into the groove.

Attention: turn the throttle lever handle for checking the startup. If dissatisfied the use, you can adjust the carburetor and the bolt.

### IV. Assembly of the stop switch

The long stop switches and throttle wire to the right handle to avoid loss.

### V. Adjustment of the depth

There are three grooves in the connect plate, the wheels put in the highest groove when working. When not working, the wheels need putting in the middle or the bottom grooves (depend on operator's height). Adjust depth skid, there are several holes in the depth skid, you can adjust it according to self-request.

**This warranty is null & void, if you fail to register the warranty with KisanKraft by sending the KisanKraft Copy with dealer's stamp.**

## OPERATION.

### Adding oil

Mixing rate between 93# Petrol and two-stroke oil is 25:1

Attention: 1. forbid to use pure Petrol or the mixture oil rate above 25:1.

Adding fuel must be done under the instruction of the fireproofing

### Start up

- 1) Press the button of carburetor 5-6 times, until some fuel in the tube, then close the broker.  
Note: if engine is in high temperature, you should put the choker on the original position.
- 2) Open the accelerograph 113-1/2.
- 3) Pull the starter smoothly, after starting the engine, open choker fully.

Note: (1). Make sure there is nothing lock the gear wheels before starting

(2). when the gear blade is running, make sure the gear blade does not come up against anything or anybody.

### Assignment

Strictly control the rotating speed, the free-load forward speed should be at 0.5m/sec when the rotate speed arrives at 8000-9000/min.

To be ensure the quality of rotating blade, don't touch it to other objects, such as stone.

### Stopping

- 1) Put the throttle lever at the idle speed, make the engine run 2-3 minutes.
- 2) Turn off the stop switch.

Note: In urgent case, turn off the throttle switch, and turn off the stop switch. Keep your hands far away from rotating blade, the gear is still turning after stopping the machine.

## MAINTENANCE

### Maintenance body

- 1) After the machine works for one or two hours or when stopping to add oil; you must check each screw and nut on the machine to make sure they are not loosening.
- 2) Add the lube in the gear box when the machine works around 20 hours
- 3) When the blade or gear damaged, please repair or replace at once.

### Maintenance engine

**This warranty is null & void, if you fail to register the warranty with KisanKraft by sending the KisanKraft Copy with dealer's stamp.**

#### **(1) Maintenance spark plug**

Keep the spark plug cleaning, the electrode gap should be moderate suitable to ensure the engine working well. The correct gap should be around 0.5-0.7mm, check frequently and adjust it when the gap is too long or too short.

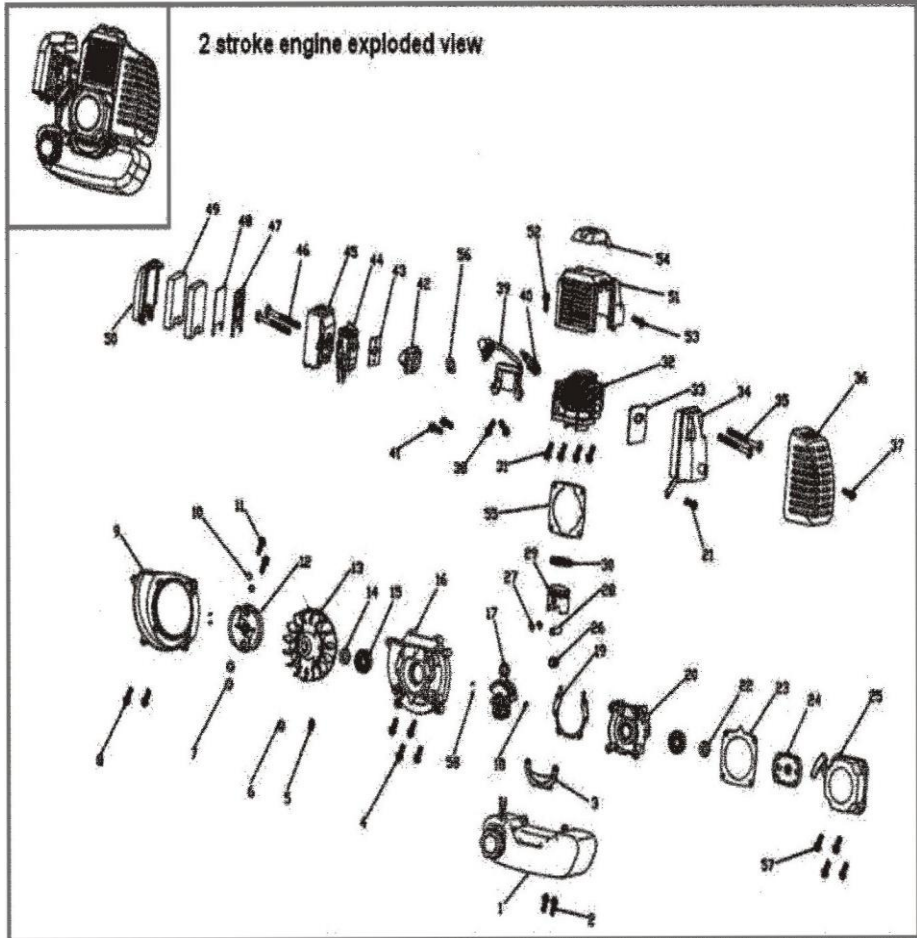
#### **(2) Maintenance the air filter**

Air filter surface should be cleaned often, if the cleaner element were jammed, dean the element. Clean the filter body by gas. Drop a little motor oil on the cleaner element, not attach it back to the inside cover until the oil dry. If the sponge is too dirty, please change a new one.

**This warranty is null & void, if you fail to register the warranty with KisanKraft by sending the KisanKraft Copy with dealer's stamp.**

### PART DIAGRAM

FIG 1 : PETROL ENGINE EXPLODED PICTURE AND PARTS LIST



This warranty is null & void, if you fail to register the warranty with KisanKraft by sending the KisanKraft Copy with dealer's stamp.

| No | Part name         | Qty | No | Part name         | Qty |
|----|-------------------|-----|----|-------------------|-----|
| 1  | 011tank           | 1   | 16 | Left case         | 1   |
| 2  | Allen screw M5x20 | 2   | 17 | crank shaft       | 1   |
| 3  | Oi tank bracket   | 1   | 18 | Woodruff key      | 1   |
| 4  | Allen screw M5X35 | 4   | 19 | Case washer       | 1   |
| 5  | MB nut            | 1   | 20 | Right case        | 1   |
| 6  | washer            | 1   | 21 | Allen screw M5x12 | 1   |
| 7  | washer            | 2   | 22 | 12x22x7 oil seal  | 1   |
| 8  | Allen screw M5x20 | 2   | 23 | Recoil starter    | 1   |
|    |                   |     |    | aluminum gasket   |     |
| 9  | Left cover        | 1   | 24 | Start dial        | 1   |
| 10 | Spring washer     | 2   | 25 | Recoil starts     | 1   |
| 11 | Step screw M8X24  | 2   | 26 | Needle bearing    | 1   |
| 12 | Dutch             | 1   | 27 | Piston pin clip   | 2   |
| 13 | Fly wheel         | 1   | 28 | Piston pin        | 1   |
| 14 | 15x30x7 oil seal  | 1   | 29 | piston            | 1   |
| 15 | 6202 bearing      | 2   | 30 | Piston ring       | 2   |

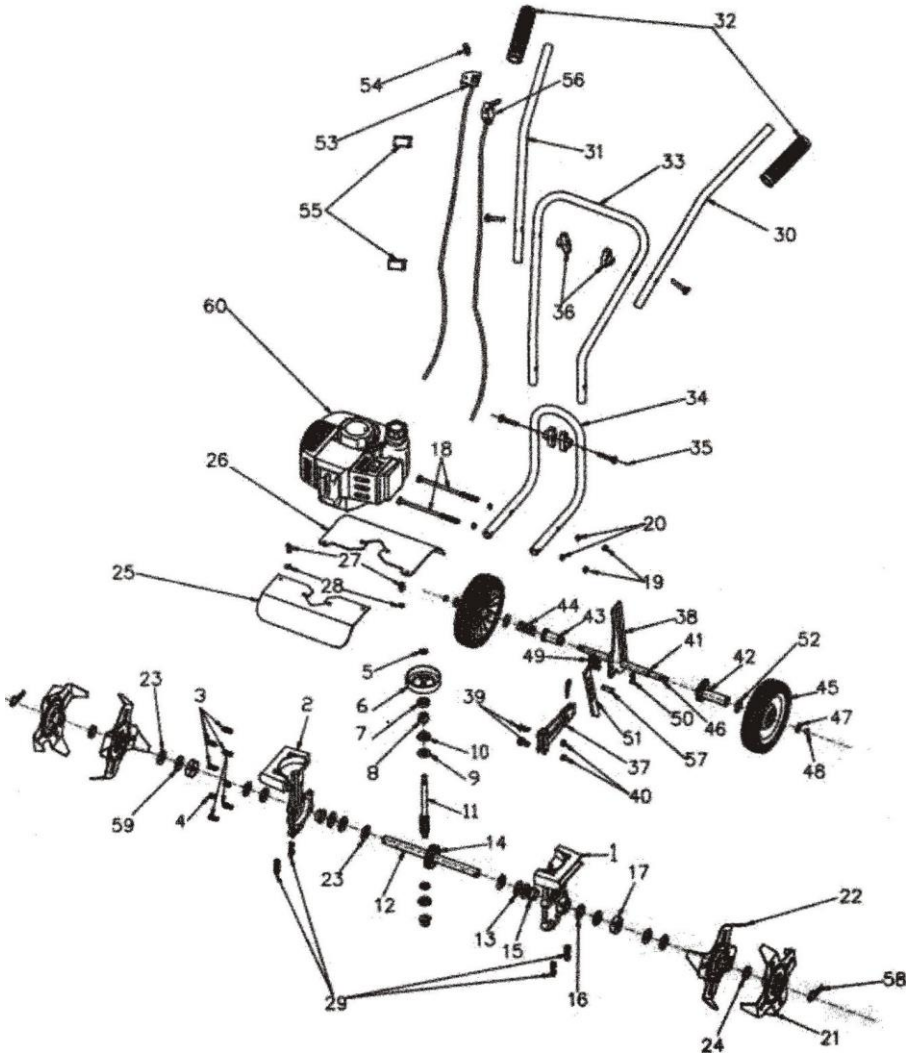
**This warranty is null & void, if you fail to register the warranty with KisanKraft by sending the KisanKraft Copy with dealer's stamp.**





| Part name          | Qty | No | Part Name                    | Qty |
|--------------------|-----|----|------------------------------|-----|
| Allen straw M5x20  | 4   | 45 | Air filter                   | 1   |
| cylinder           | 1   | 46 | Allen screw M5x55            | 2   |
| Muffler gasket     | 1   | 47 | Air filter gasket            | 1   |
| muffler            | 1   | 48 | Air filler net               | 2   |
| Allen screw 6Mx60  | 2   | 49 | Air filter sponge            |     |
| Muffler cover      | 1   | 50 | Air filter cover             |     |
| Allen screw M5x12  | 1   | 51 | Cylinder cover               |     |
| Allen SUM M5x25    | 2   | 52 | Allen screw M5x12            |     |
| Ignition coil      | 1   | 53 | Allen screw M5x20            | 1   |
| Spark plug         | 1   | 54 | Cylinder cover cap           | 1   |
| Allen screw(M5*30) | 2   | 55 | Cylinder paper               |     |
|                    |     |    | gasket                       |     |
| Intake manifold    | 1   | 56 | Intake manifold paper gasket | 1   |
| Carburetor paper   | 1   | 57 | Allen screw M5x20            | 4   |
| gasket             |     |    |                              |     |
| Carburetor         | 1   | 58 | Locating pins                | 4   |
|                    |     |    |                              |     |

**This warranty is null & void, if you fail to register the warranty with KisanKraft by sending the KisanKraft Copy with dealer's stamp.**



**This warranty is null & void, if you fail to register the warranty with KisanKraft by sending the KisanKraft Copy with dealer's stamp.**



| No | Part name           | Qty | No | Part name             | Qty |
|----|---------------------|-----|----|-----------------------|-----|
| 1  | Left gear box       | 1   | 23 | Clip spring           | 4   |
| 2  | right gear box      | 1   | 24 | woolen felt           | 4   |
| 3  | Flange screw        | 6   | 25 | Front mud guard       | 1   |
| 4  | Allen screw (M6'20) | 2   | 26 | Back mud guard        | 1   |
| 5  | Nut M10x5           | 1   | 27 | Screw M8x15           | 2   |
| 6  | clutch drum camp    | 1   | 28 | Nut MB                | 2   |
| 7  | bearing             | 1   | 29 | Allen screw M8X45     | 4   |
| 8  | Copper spacer       | 2   | 30 | Left handle           | 1   |
| 9  | Worm shaft washer   | 2   | 31 | right handle          | 1   |
| 10 | combined bearing    | 2   | 32 | Handle grip           | 2   |
| 11 | Worm shaft          | 1   | 33 | Middle handle         | 1   |
| 12 | Blade shaft         | 1   | 34 | Down handle           | 1   |
| 13 | Blade shaft washer  | 4   | 35 | Carriage bolts        | 4   |
| 14 | Copper gear         | 1   | 36 | Plastic nut           | 4   |
| 15 | Oil bearing         | 2   | 37 | Back bracket          | 1   |
| 16 | oil seal            | 2   | 38 | Wheel adjuster plate  | 1   |
| 17 | Gear box out cover  | 2   | 39 | Screw M6X25           | 2   |
| 18 | Screw M8x155        | 2   | 40 | Nut M6                | 2   |
| 19 | Nut M8              | 2   | 41 | Wheel axle round pipe | 1   |
| 20 | Arc gasket          | 4   | 42 | Wheel adjuster base   | 1   |
| 21 | outer blade         | 2   | 43 | Wheel adjuster spacer | 1   |
| 22 | Inner blade         | 2   | 44 | spring                | 1   |

**This warranty is null & void, if you fail to register the warranty with KisanKraft by sending the KisanKraft Copy with dealer's stamp.**



| No | Part name                | Qty |
|----|--------------------------|-----|
| 45 | wheel                    | 2   |
| 48 | screw mandrel            | 1   |
| 47 | washer                   | 2   |
| 48 | Locking nut              | 2   |
| 49 | Screw M6x16              | 2   |
| 50 | Locking nut M6           | 2   |
| 51 | Depth skid               |     |
| 52 | washer                   | 2   |
| 53 | stop switch assembly     |     |
| 54 | Allen screw (M5'35)      | 1   |
| 55 | Wire fasten buckle       | 2   |
| 56 | Throttle switch assembly | 1   |
| 57 | Locating pin             | 1   |
| 58 | B-shaped pin             | 3   |
| 59 | washer                   | 2   |
| 60 | engine                   |     |
| 61 |                          |     |
| 62 |                          |     |
| 63 |                          |     |
| 64 |                          |     |
| 65 |                          |     |
| 66 |                          |     |

**This warranty is null & void, if you fail to register the warranty with KisanKraft by sending the KisanKraft Copy with dealer's stamp.**



**KisanKraft has a large range of products to serve the farmers. A list of our products is given below:**

|   |   |
|---|---|
| <p><b>Brush Cutters and Accessories</b></p> <ul style="list-style-type: none"> <li>Brush Cutter/Power Weeder</li> <li>Backpack Brush Cutter</li> <li>Tea Pruner</li> <li>Pole pruner with Engine</li> <li>Reaper Attachment</li> <li>Blades-Circular</li> <li>Blades (2 &amp; 3 points)</li> <li>Baffle</li> <li>Nylon Rope</li> <li>Tap &amp; Go</li> </ul> <p><b>Chainsaws</b></p> <ul style="list-style-type: none"> <li>Petrol Chainsaw</li> <li>Electric Chainsaw</li> <li>Chain Sharpening Machine</li> </ul> <p><b>Engines and Water Pumps</b></p> <ul style="list-style-type: none"> <li>Engine –Diesel-(Horizontal)</li> <li>Engine –Diesel (Vertical)</li> <li>Engine-Kerosene</li> <li>Water Pump with Petrol Engine</li> <li>Water Pump with Kerosene Engine</li> <li>Water Pump with Diesel Engine</li> </ul> <p><b>Hand Tools</b></p> <ul style="list-style-type: none"> <li>Secateurs</li> <li>Folding Saw</li> <li>Garden Rake</li> <li>Garden Shovel</li> <li>Hedge Shear</li> <li>Lopper</li> <li>Telescopic Hedge Shear</li> <li>Telescopic Lopping Shear</li> <li>Tree Pruner</li> <li>Telescopic Steel Pipe &amp; Fruit Picker Bag</li> <li>Sheep Shear</li> </ul> <p><b>Garden Tools</b></p> <ul style="list-style-type: none"> <li>Electric Pressure Washer</li> <li>Hedge Trimmer</li> <li>Lawn Mower (Electric, Petrol &amp; Manual)</li> <li>Leaf Blower</li> </ul> | <p><b>Cultivators and Accessories</b></p> <ul style="list-style-type: none"> <li>Petrol and Diesel</li> </ul> <p><b>Sprayers and Accessories</b></p> <ul style="list-style-type: none"> <li>Battery Sprayer</li> <li>Portable Power Sprayer</li> <li>Trolley Sprayer</li> <li>Manual Knapsack Sprayer</li> <li>Manual Pressure Sprayer</li> <li>Rose Cans</li> <li>Hose Crimping Machine</li> <li>HTP Sprayer</li> <li>HTP Delivery Hose</li> <li>HTP Hose Reel</li> <li>HTP Stand</li> <li>HTP Gun / Lance (Brass Rod)</li> <li>Knapsack Power Sprayer</li> <li>Mister / Duster / Granule Spreader</li> <li>HTP Sprayer Set with Diesel Engine</li> <li>HTP Sprayer Set with Kerosene Engine</li> <li>Fogging Machine</li> </ul> <p><b>Milking Machine</b></p> <ul style="list-style-type: none"> <li>Wood Shredder</li> <li>Fodder Ensiling Chaff Cutter</li> <li>Fodder Grinder Chaff Cutter</li> <li>Fodder Mini Chaff Cutter</li> </ul> <p><b>Harvester</b></p> <ul style="list-style-type: none"> <li>Maize Sheller</li> <li>Maize Sheller + Dehusker</li> <li>Maize Combine Harvester</li> <li>Onion Digger Carlotta Italy</li> <li>Tea Leaf Harvester</li> <li>Sugarcane Combine Harvester</li> <li>Sugarcane Leaf Stripper</li> </ul> <p><b>Transplanter and Post Hole Digger</b></p> <ul style="list-style-type: none"> <li>Paddy Transplanter (2 &amp; 8 Rows)</li> <li>Transplanter-Vegetable &amp; Tobacco</li> <li>Post Hole Digger (4" to 14" Augers)</li> </ul> |
|---|---|

**This warranty is null & void, if you fail to register the warranty with KisanKraft by sending the KisanKraft Copy with dealer's stamp.**



## Wide Range of Products for Every Need



For more information give **MISSED CALL: 07676065555**



Many of our products have BIS: ISI certification.



**This warranty is null & void, if you fail to register the warranty with KisanKraft by sending the KisanKraft Copy with dealer's stamp.**

|  |                                      |  |  |
|--|--------------------------------------|--|--|
| Product                                    | <b>Agricultural Inter-Cultivator</b> | KisanKraft Invoice Date  |  |
| Brand                                      | <b>KisanKraft</b>                    | KisanKraft Invoice No.   |  |
| Model                                      | <b>□ KK-IC-520</b>                   |  |  |
| <b>WARRANTY PERIOD</b>                     | <b>6 MONTHS</b>                      | FOR THE SPECIFIED PERIOD FROM THE DATE OF SALE OR DELIVERY WHICHEVER IS EARLIER. |  |
| Dealer's Invoice Date                      |                                      | Dealer's Invoice No.   |  |
| Buyer's Info (Name, Address, Phone, etc.): |                                      | Dealer's Stamp (Address, Phone, TIN, etc.):                                      |  |
| Buyer's Sign                               |                                      | Dealer's Sign  |  |

## Warranty Policy

**What is covered:** KisanKraft Limited and its manufacturers warrant this product to be free from defects in material or workmanship. All parts defective in material and workmanship are covered.

This warranty will only cover defects arising under normal usage.

This warranty is limited to repair or replacement by KisanKraft Limited or its manufacturers of such parts as appear to KisanKraft or its manufacturers, upon inspection, to be defective in material and/or workmanship. KisanKraft or its manufacturers make no warranty with respect to items not manufactured or sold by them. No onsite warranty is provided by KisanKraft Limited or its manufacturers. Defective items must be brought/sent to our Authorized Dealer or KisanKraft Limited's office for service.

**What is not covered:** The *warranty shall become null and void* and neither KisanKraft Limited nor any of its manufacturers, nor its authorized dealers assume any responsibility, if the failure was caused by the following:

(1) Operation of product with incorrect fuel or lubricants, (2) Incorrect usage of machine or misuse, (3) Lack of maintenance, (4) Negligence, (5) Accident or physical damage, (6) Repairs made by unauthorized parties and/or with unauthorized parts, (7) Improper set up, adjustments, tampering or altered products (8) Any modification to the product whatsoever.

**Important:** (1) Normal maintenance and adjustments to the product is the responsibility of the customer. (2) Normal wear and tear are not covered under warranty. (3) Rubber/plastic parts and consumables such as blades, clutch and clutch-bell, sparkplugs, nylon line, air-filters, fuel-filters, oil seals and gaskets etc. are not covered under the warranty. (4) Electrical Motor, Electrical Parts, Battery Etc. are not covered under the warranty.

**Incidental / Consequential Loss:** KisanKraft Limited or its manufacturers will not be liable for general damages, including bodily injuries, or for incidental or consequential damages

**This warranty is null & void, if you fail to register the warranty with KisanKraft by sending the KisanKraft Copy with dealer's stamp.**

including, but not limited to, loss of use, loss of profits, loss of production, expense of substitute equipment or other commercial loss or damage.

**Limitation of Liability:** This limited warranty is in lieu of all other express warranties, obligations, or liabilities. Any implied warranties, obligations, or liabilities, including, but not limited to, any implied warranty of merchantability shall be limited in duration to the applicable warranty period. Any action for breach of any warranties hereunder, including, but not limited to, any implied warranty of merchantability must be brought within the applicable warranty period.

**Modifications of Warranty:** No agent, representative, dealer, or employee of KisanKraft Limited or any of its manufacturers has the authority to increase or alter the obligations of this warranty.

**Assignment / Transfer of warranty:** The warranty cannot be assigned and shall not transfer if the product is resold by the first buyer. The above warranties are extended to the first end user (original purchaser), and no warranty is made, nor authorized to be made assignable on resale by the first end user.

**What you must do to obtain limited warranty service:** To obtain performance of any obligation under this warranty for failure during the applicable warranty period, you must deliver the defective product, to the nearest Authorized Dealer, along with proof-of-purchase (invoice/receipt). KisanKraft Limited, its manufacturers and its dealers reserve the right to inspect the claimed defective part(s) to determine if the malfunction is the result of a defect covered by this warranty. Please note that the decision of KisanKraft Limited with respect to any warranty claim is final.

**After-sales Service (Including Warranty):** KisanKraft Limited does not sell directly to consumers. All sales or supplies are made through Authorized Dealers. It is the responsibility of the Authorized Dealer to provide all after-sales service to consumers. Any warranty claim should be raised by dealer to KisanKraft Limited as per warranty policy.

**Jurisdiction:** All disputes are subject to Bangalore court's jurisdiction.

**Notes:**

- This purchase is not contingent upon a product demonstration. The purchaser shall satisfy himself with the product, including any product demonstration or verification of any function, before buying. KisanKraft Limited or its authorized dealers, including online sellers, shall not be liable to give any on-site demonstration after purchase of any of the product.
- Any product once used will not be taken back by KisanKraft Limited.
- Warranty and After Sale Services (including but not limited to installation, Demonstration, Repair, Routine Maintenance etc.), should be done through the Authorized Dealer selling this product.
- Dealers should have their own technician to provide After Sales Services to their Customers. KisanKraft Limited provides free training to Authorized Dealer's technicians at KisanKraft Limited's head office, on request from Authorized Dealer.

**This warranty is null & void, if you fail to register the warranty with KisanKraft by sending the KisanKraft Copy with dealer's stamp.**