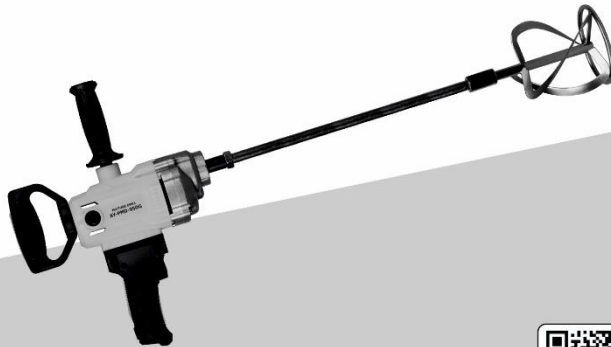




Power Tools by KisanKraft

USER MANUAL**[MIXTURE DRILL]****AY-PMD-950G****KisanKraft Limited**

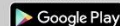
Sri Huchhanna Tower, #4, 1st Main, 7-A Cross, Maruthi Layout,
Dasarahalli, HAF Post, Hebbal, Bangalore-560 024, Karnataka, INDIA

Bangalore (HO) | Ahmedabad | Bhopal | Bhubaneswar | Coimbatore | Guwahati
Hubli | Hyderabad | Jaipur | Karnal | Kolkata | Lucknow | Nellore | Pune | Raipur



Scan the QR code to download
KisanKraft App

Available on



CONTENTS

Safety Instructions	3
Technical Specifications:	6
Part Diagram	7

Please read these operating instructions before using the tool for the first time and keep them with the tool at all times.

Safety Instructions

General Power Tool Safety Warnings

⚠ WARNING Read all safety warnings and all instructions.

Failure to follow the warnings and instructions may result in electric shock, fire and/or serious Injury.

Save all warnings and instructions for future reference.

The term "power tool" in the warnings refers to your mains operated (Corded) power tool or battery-operated (cordless) Power tool.

Work area safety

- **Keep work area clean and well lit.** Cluttered or dark areas invite accidents.
- **Do not operate power tools in explosive atmospheres, such as in the presence of flammable liquids, gases or dust.** Power tools create sparks which may ignite the dust or fumes.
- **Keep children and bystanders away while operating a power tool.** Distractions can cause you to lose control.

Electrical safety

- **Power tool plugs must match the outlet. Never modify the plug in any way. Do not use any adapter plugs with earthed (grounded) power tools.** Unmodified plugs and matching outlets will reduce risk of electric shock.
- **Avoid body contact with earthed or grounded surfaces, such as pipes, radiators, ranges and refrigerators.** There is an increased risk of

electric shock if your body is earthed or grounded.

Do not expose power tools to rain or wet conditions. Water entering a power tool will increase the risk of electric shock.

Do not abuse the cord. Never use the cord for carrying, Pulling or unplugging the power tool. Keep cord away from heat, oil, sharp edges and moving parts. Damaged or entangled cords increase the risk of electric shock.

When operating a power tool outdoors, use an extension cord suitable for outdoor use. Use of a cord suitable for outdoor use reduces the risk of electric shock.

If operating a power tool in a damp location is unavoidable, use a residual current device (RCD) protected supply. Use of an RCD reduces the risk of electric shock.

Personal safety

- **Stay alert, watch what you are doing and use commonsense when operating a power tool. Do not use a power tool while you are tired or under the influence of drugs, alcohol or medication.** A moment of inattention while operating power tools may result in serious personal injury.
- **Use personal protective equipment. Always wear eye protection.** Protective equipment such as dust mask, on-skid safety shoes, hard hat, or hearing protection used for appropriate conditions will reduce personal injuries.
- **Prevent unintentional starting. Ensure the switch is in the off-position before connecting to power source and/or battery**

pack, picking up or carrying the tool. Carrying power tools with your finger on the switch or energizing power tools that have the switch on invites accidents.

- **Remove any adjusting key or wrench before turning the power tool on.** A wrench or a key left attached to a rotating part of the power tool may result in personal injury.
- **Do not overreach. Maintain proper footing and balance at all times.** This enables better control of the power tool in unexpected situations.
- **Dress properly. Do not wear loose clothing or jewellery. Keep your hair, clothing and gloves away from moving parts.** Loose clothes, jewellery or long hair can be caught in moving parts.
- **If devices are provided for the connection of dust extraction and collection facilities, ensure these are connected and properly used.** Use of dust collection can reduce dust-related hazards.

Power tool use and care

- **Do not force the power tool. Use the correct power tool for your application.** The correct power tool will do the job better and safer at the rate for which it was designed.
- **Do not use the power tool if the switch does not turn it on and off.** Any power tool that cannot be controlled with the switch is dangerous and must be repaired.
- **Disconnect the plug from the power source and/or the battery pack from the power tool before making any adjustments, changing accessories, or storing power tools.** Such preventive safety measures reduce the risk of starting the power tool accidentally.
- **Store idle power tools out of the reach of children and do not allow persons unfamiliar with the power tool or these instructions to**

operate the power tool. Power tools are dangerous in the hands of untrained users.

Maintain power tools. Check for misalignment or binding of moving parts, breakage of parts and any other condition that may affect the power tool's operation. If damaged, have the power tool repaired before use. Many accidents are caused by poorly maintained power tools.

Keep cutting tools sharp and clean. Properly maintained cutting tools with sharp cutting edges are less likely to bind and are easier to control.

Use the power tool, accessories and tool bits etc. in accordance with these instructions, taking into account the working conditions and the work to be performed. Use of the power tool for operations different from those intended could result in a hazardous situation.

Service

Have your power tool serviced by a qualified repair person using only identical replacement parts. This will ensure that the safety of the power tool is maintained.

- **Do not use the power tool with a damaged.**
- **Do not touch the damaged cord and pull the plug from the outlet when the cord is damaged while working. Damaged cord increase the risk of an electric shock**
- **Connect power tools that are used in the open via a Ground Fault Circuit interrupter (GFCI).**
- **Wear hearing protection. Exposure to noise can cause hearing loss.**
- **Use the auxiliary handle supplied with the power tool. Loss of control over the power tool can cause Personal injury.**
- **Use suitable detectors to determine if utility lines are hidden in the work area or call the**

local utility company for assistance. Contact with electric lines can lead to explosion. Penetrating a water line causes property damage or may cause an electric shock.

- Hold the power tool only by the insulated gripping surfaces when performing an

operation where the cutting tool may contact with a “live” wire will also, make exposed metal parts of the power tool “live” and shock the operator.

Before Use



Read all the safety warnings and all instructions

Failure to follow the warnings and instructions may result in electric shock, fire and/or serious injury.

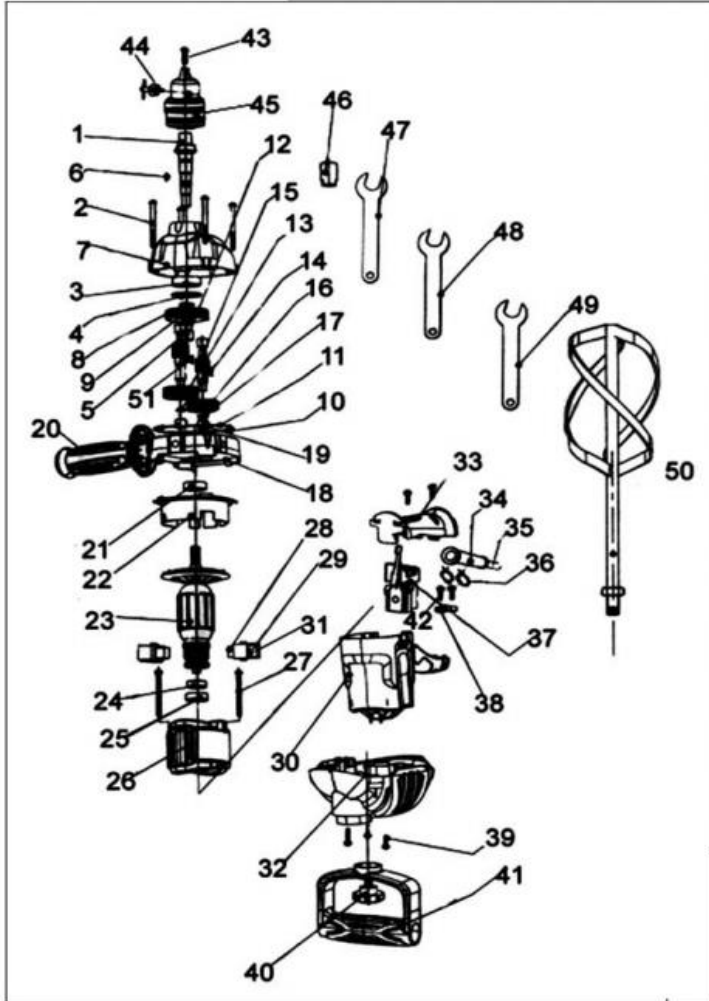
While reading the operating instructions. Unfold the graphics page for the tool and leave it open.

Intended Use.

The power tool is intended for Chiseling work in concrete, brick, masonry and asphalt as well as for driving in and compacting, when using the respective accessories.

Technical Specifications:

Parameters	AY-PMD-950G
Voltage	220V
Frequency	50Hz
Input Power	950W
Speed	0-900R/MIN
Drill	120MM

Part Diagram

Part list

NO	PART NAME	Q'T	UNIT	NO	PART NAME	Q'T	UNIT
1	Spindle	1	Pcs	26	Stator	1	pcs
2	Screw,	4	Pcs	27	Tapping Screw.	2	pcs
3	Ball Bearing.	1	Pcs	28	Carbon Brush	2	pcs
4	Retainer	1	Pcs	29	Brush Holder	2	pcs
5	Needle Bearing,	4	Pcs	30	Housing	1	pcs
6	Key.	1	Pcs	31	Cap	2	pcs
7	Gear Box	1	Pcs	32	Rear Cover	1	pcs
8	Retainer	1	Pcs	33	Handle Cap	1	pcs
9	Gear	1	Pcs	34	Cord Guard	1	pcs
10	Oil Seal Paper Washer	1	Pcs	35	Cord	1	pcs
11	Cylindrical Pin	1	Pcs	36	Terminal	2	pcs
12	Gear Shaft	1	Pcs	37	Switch	1	pcs
13	Gear	1	Pa	38	Cord Clamp	1	pcs
14	Retainer	1	Pcs	39	Screw.	6	pcs
15	Gear Shaft	1	Pcs	40	Rear Handle Screw	1	pcs
16	Gear	1	Pcs	41	Rear Handle	1	pcs
17	Retainer	1	Pcs	42	Screw.	2	Pa
18	Middle Case	1	Pcs	43	Screw	1	pcs
19	Needle Bearing,	1	Pcs	44	Chuck Key	1	pcs
20	Side Handle	1	Pcs	45	Chuck	1	pcs
21	Ball Bearing,	1	Pcs	46	Connect The Head	1	pcs
22	Baffle	1	Pcs	47	Spanner	1	pcs
23	Rotor	1	Pcs	48	Spanner	1	pcs
24	Ball Bearing,	1	Pcs	49	Spanner	1	pcs
25	Bearing Sleeve	1	Pcs	50	Stir Rod	1	pcs
				51	Key,	1	pcs

KisanKraft has a large range of products to serve the farmers. A list of our products is given below:

<p>Brush Cutters and Accessories</p> <ul style="list-style-type: none"> Brush Cutter/Power Weeder Backpack Brush Cutter Tea Pruner Pole pruner with Engine Reaper Attachment Blades-Circular Blades (2 & 3 points) Baffle Nylon Rope Tap & Go <p>Chainsaws</p> <ul style="list-style-type: none"> Petrol Chainsaw Electric Chainsaw Chain Sharpening Machine <p>Engines and Water Pumps</p> <ul style="list-style-type: none"> Engine –Diesel-(Horizontal) Engine –Diesel(Vertical) Engine-Kerosene Water Pump with Petrol Engine Water Pump with Kerosene Engine Water Pump with Diesel Engine <p>Hand Tools</p> <ul style="list-style-type: none"> Secateurs Folding Saw Garden Rake Garden Shovel Hedge Shear Lopper Telescopic Hedge Shear Telescopic Lopping Shear Tree Pruner Telescopic Steel Pipe & Fruit Picker Bag Sheep Shear <p>Garden Tools</p> <ul style="list-style-type: none"> Electric Pressure Washer Hedge Trimmer Lawn Mower (Electric, Petrol & Manual) Leaf Blower 	<p>Cultivators and Accessories</p> <ul style="list-style-type: none"> Petrol and Diesel <p>Sprayers and Accessories</p> <ul style="list-style-type: none"> Battery Sprayer Portable Power Sprayer Trolley Sprayer Manual Knapsack Sprayer Manual Pressure Sprayer Rose Cans Hose Crimping Machine HTP Sprayer HTP Delivery Hose HTP Hose Reel HTP Stand HTP Gun / Lance(Brass Rod Knapsack Power Sprayer Mister / Duster / Granule Spreader HTP Sprayer Set with Diesel Engine HTP Sprayer Set with Kerosene Engine Fogging Machine <p>Milking Machine</p> <ul style="list-style-type: none"> Wood Shredder Fodder Ensiling Chaff Cutter Fodder Grinder Chaff Cutter Fodder Mini Chaff Cutter <p>Harvester</p> <ul style="list-style-type: none"> Maize Sheller Maize Sheller + Dehusker Maize Combine Harvester Onion Digger Carlotta Italy Tea Leaf Harvester Sugarcane Combine Harvester Sugarcane Leaf Stripper <p>Transplanter and Post Hole Digger</p> <ul style="list-style-type: none"> Paddy Transplanter (2 & 8 Rows) Transplanter-Vegetable & Tobacco Post Hole Digger(4" to 14" Augers)
--	---



Wide Range of Products for Every Need



For more information give **MISSED CALL: 07676065555**



Many of our products have BIS: ISI certification.



HO: Bangalore (Karnataka)

Sri Huchhanna Tower # 4, 1st Main,
7-A Cross, Maruthi Layout, Dasarahalli,
HAF Post, Hebbal, Bangalore - 560 024,
Karnataka
Phone: 080 6835 7800
Email: info@kisankraft.com
GSTIN: 29AACCK6445J1Z6

Ahmedabad (Gujarat)

G-11, Karnavati Estate, Sarkhej -
Sanand Road, Besides Hotel Orange
Inn, Ahemadabad - 382 210, Gujarat
Phone: +91 92280 00760
Email:
info.ahmedabad@kisankraft.com
GSTIN: 24AACCK6445J1ZG

Bhopal (Madhya Pradesh)

Shed #1, Near C-21 Mall,
Hoshangabad Road, Bhopal - 462
026, Madhya Pradesh
Phone: +91 70242 11672
Email: info.bhopal@kisankraft.com
GSTIN: 23AACCK6445J1ZI

Bhubaneswar (Odisha)

Plot No. 2509, Near Toyota Showroom,
Nuagada, PO-Telengapentha, PS-
Banapur, Cuttack, Sadar - 753 011,
Odisha
Phone: 0671 2959 166
Email: info.bhubaneswar@kisankraft.com
GSTIN: 21AACCK6445J1ZM

Coimbatore (Tamil Nadu)

291/7, Kothari Nagar, MTP Road,
Opp. Sai Hospital, Vadamadurai Post,
Coimbatore - 641 017, Tamil Nadu
Phone: 0422 2460 199
Email: info.coimbatore@kisankraft.com
GSTIN: 33AACCK6445J1ZH

Guwahati (Assam)

Ground Floor, Word No. 06, Near
LP School, Paschim, Boragaon
Post, Kamrup, Guwahati - 781
035, Assam
Phone: 0361 2960 299
Email:
info.guwahati@kisankraft.com
GSTIN: 18AACCK6445J1Z9

Hubli (Karnataka)

LG-2, Akshay Enclave, Kusugal Road
Keshwapur, Hubli - 580 023, Karnataka
Phone: 0836 2287 877
Email: info.hubli@kisankraft.com
GSTIN: 29AACCK6445J1Z6

Hyderabad (Telangana)

Plot No. 7, H No. 5-5-35/234,
Shaktipeetam, Prashantinagar, I.D.A.,
Kukatpalli, Hyderabad - 500 072,
Telangana
Phone: 040 4025 0114
Email: info.hyderabad@kisankraft.com
GSTIN: 36AACCK6445J1ZB

Jaipur (Rajasthan)

No. 69-A, Sudershanpura
Industrial Area, Bais Godam,
Jaipur - 302 006, Rajasthan
Phone: 0141 2219 128
Email: info.jaipur@kisankraft.com
GSTIN: 08AACCK6445J1ZA

Karnal (Haryana)

Near Shani Mandir, Bypass GT Road,
Karnal - 132 001, Haryana
Phone: +91 70822 18201
Email: info.karnal@kisankraft.com
GSTIN: 06AACCK6445J1ZE

Kolkata (West Bengal)

Sadananda Ind. Estate, Dag No. 1183,
Mouza-Balitikuri & Dag No.1504,
Dharsa-Balitikuri, Bakkultala, Howrah -
711 113, West Bengal
Phone: 033 2955 0403
Email: info.kolkata@kisankraft.com
GSTIN: 19AACCK6445J1Z7

Lucknow (Uttar Pradesh)

Plot No. E-45, Phase-2, Transport
Nagar, Kanpur Road,
Lucknow - 226 012, Uttar Pradesh
Phone: 0522 2978 200
Email:
info.lucknow@kisankraft.com
GSTIN: 09AACCK6445J1Z8

Nellore (Andhra Pradesh)

Podalukur Sangam Road, Opp.
Sudalagunta Sugar Factory,
Prabhagiripatnam Village Podalukur
Mandal, Sri Potti Sreeramulu, Nellore -
524 345, Andhra Pradesh
Phone: 080 2217 8200
Email: info@kisankraft.com
GSTIN: 37AACCK6445J1Z9

Pune (Maharashtra)

S.R.No. 133, Village – Uruli Devanchi,
Taluka – Haveli, District – Pune - 412
308, Maharashtra
Phone: +91 84829 75446
Email: info.pune@kisankraft.com
GSTIN: 27AACCK6445J1ZA

Raipur (Chhattisgarh)

Block No. 5, Plot No. W1A-04, Dr.
Khoob Chand Baghel, Transport
Nagar, Rawabhata, Raipur - 492
010, Chhattisgarh
Phone: +91 91099 98071
Email: info.raipur@kisankraft.com
GSTIN: 22AACCK6445J1ZK

OUR PRODUCTS RANGE



ANGLE GRINDER



MARBLE CUTTER



CIRCULAR SAW



ELECTRIC JIG SAW



CUT-OFF MACHINE



CONCRETE VIBRATOR



DEMOLITION HAMMER



MIXTURE DRILL



ROTARY HAMMER



IMPACT DRILL



ELECTRICAL
SCREW DRIVER



AIR COMPRESSOR



PRESSURE WASHER



ELECTRIC ROUTER



ARC
WELDING MACHINE



ELECTRIC
BLOWERS & VACUUMS



CHAINSAW



DRILL BITS



ACCESSORIES



Scan the QR code for
YouTube

076760 65555

www.aryantra.com

info@aryantra.com