

Limitation of Liability: This limited warranty is in lieu of all other express warranties, obligations, or liabilities. Any implied warranties, obligations or liabilities, including, but not limited to, any implied warranty of merchantability shall be limited in duration to the applicable warranty period. Any action for breach of any warranties hereunder, including, but not limited to, any implied warranty of merchantability must be brought within the applicable warranty period.

Modifications of Warranty: No agent, representative, dealer, or employee of KisanKraft Limited or any of its manufacturers has the authority to increase or alter the obligations of this warranty.

Assignment / Transfer of warranty: The warranty cannot be assigned and shall not transfer if the product is resold by the first buyer. The above warranties are extended to the first end user (original purchaser), and no warranty is made, nor authorized to be made assignable on resale by the first end user.

What you must do to obtain limited warranty service: To obtain performance of any obligation under this warranty for failure during the applicable warranty period, you must deliver the defective product, to the nearest Authorized Dealer, along with proof-of-purchase (invoice/receipt). KisanKraft Limited, its manufacturers and its dealers reserve the right to inspect the claimed defective part(s) to determine if the malfunction is the result of a defect covered by this warranty. Please note that the decision of KisanKraft Limited with respect to any warranty claim is final.

After-sales Service (Including Warranty): KisanKraft Limited does not sell directly to consumers. All sales or supplies are made through Authorized Dealers. It is the responsibility of the Authorized Dealer to provide all after-sales service to consumers. Any warranty claim should be raised by dealer to KisanKraft Limited as per warranty policy.

Jurisdiction: All disputes are subject to Bangalore court's jurisdiction.

Notes:

- This purchase is not contingent upon a product demonstration. The purchaser shall satisfy himself with the product, including any product demonstration or verification of any function, before buying. KisanKraft Limited or its authorized dealers, including online sellers, shall not be liable to give any on-site demonstration after purchase of any of the product.
- Any product once used will not be taken back by KisanKraft Limited.
- Warranty and After Sale Services (including but not limited to installation, Demonstration, Repair, Routine Maintenance etc.), should be done through the Authorized Dealer selling this product.
- Dealers should have their own technician to provide After Sales Services to their Customers. KisanKraft Limited provides free training to Authorized Dealer's technicians at KisanKraft Limited's head office, on request from Authorized Dealer.

This warranty is null & void, if you fail to register the warranty with KisanKraft by sending the KisanKraft Copy with dealer's stamp.

KisanKraft Limited

Product	Cold Fogging Sprayer	KisanKraft Invoice Date	
Brand	KisanKraft	KisanKraft Invoice No.	
Model	KK-ULV-4000 KK-ULV-5000		
WARRANTY PERIOD	6 MONTHS	FOR THE SPECIFIED PERIOD FROM THE DATE OF SALE OR DELIVERY WHICHEVER IS EARLIER.	
Dealer's Invoice Date		Dealer's Invoice No.	
Buyer's Info (Name, Address, Phone, etc.):		Dealer's Stamp (Address, Phone, TIN, etc.):	
Buyer's Sign		Dealer's Sign	

Warranty Policy

What is covered: KisanKraft Limited and its manufacturers warrant this product to be free from defects in material or workmanship. All parts defective in material and workmanship are covered. This warranty will only cover defects arising under normal usage.

This warranty is limited to repair or replacement by KisanKraft Limited or its manufacturers of such parts as appear to KisanKraft or its manufacturers, upon inspection, to be defective in material and/or workmanship. KisanKraft or its manufacturers make no warranty with respect to items not manufactured or sold by them. No onsite warranty is provided by KisanKraft Limited or its manufacturers. Defective items must be brought/sent to our Authorized Dealer or KisanKraft Limited's office for service.

What is not covered: The *warranty shall become null and void* and neither KisanKraft Limited nor any of its manufacturers, nor its authorized dealers assumes any responsibility, if the failure was caused by the following:

- (1) Operation of product with incorrect fuel or lubricants, (2) Incorrect usage of machine or misuse, (3) Lack of maintenance, (4) Negligence, (5) Accident or physical damage, (6) Repairs made by unauthorized parties and/or with unauthorized parts, (7) Improper set up, adjustments, tampering or altered products (8) Any modification to the product what-so-ever.

Important: (1) Normal maintenance and adjustments to the product is the responsibility of the customer. (2) Normal wear and tear are not covered under warranty. (3) Rubber/plastic parts and consumables such as blades, clutch and clutch-bell, sparkplugs, nylon line, air-filters, fuel-filters, oil seals and gaskets etc. are not covered under the warranty. (4) Electrical Motor, Electrical Parts, Battery Etc. are not covered under the warranty.

Incidental / Consequential Loss: KisanKraft Limited or its manufacturers will not be liable for general damages, including bodily injuries, or for incidental or consequential damages including, but not limited to, loss of use, loss of profits, loss of production, expense of substitute equipment or other commercial loss or damage.

Limitation of Liability: This limited warranty is in lieu of all other express warranties, obligations, or liabilities. Any implied warranties, obligations or liabilities, including, but not limited to, any implied warranty of merchantability shall be limited in duration to the applicable warranty period. Any action for breach of any warranties hereunder, including, but not limited to, any implied warranty of merchantability must be brought within the applicable warranty period.

Modifications of Warranty: No agent, representative, dealer, or employee of KisanKraft Limited or any of its manufacturers has the authority to increase or alter the obligations of this warranty.

Assignment / Transfer of warranty: The warranty cannot be assigned and shall not transfer if the product is resold by the first buyer. The above warranties are extended to the first end user (original purchaser), and no warranty is made, nor authorized to be made assignable on resale by the first end user.

What you must do to obtain limited warranty service: To obtain performance of any obligation under this warranty for failure during the applicable warranty period, you must deliver the defective product, to the nearest Authorized Dealer, along with proof-of-purchase (invoice/receipt). KisanKraft Limited, its manufacturers and its dealers reserve the right to inspect the claimed defective part(s) to determine if the malfunction is the result of a defect covered by this warranty. Please note that the decision of KisanKraft Limited with respect to any warranty claim is final.

After-sales Service (Including Warranty): KisanKraft Limited does not sell directly to consumers. All sales or supplies are made through Authorized Dealers. It is the responsibility of the Authorized Dealer to provide all after-sales service to consumers. Any warranty claim should be raised by dealer to KisanKraft Limited as per warranty policy.

Jurisdiction: All disputes are subject to Bangalore court's jurisdiction.

Notes:

- This purchase is not contingent upon a product demonstration. The purchaser shall satisfy himself with the product, including any product demonstration or verification of any function, before buying. KisanKraft Limited or its authorized dealers, including online sellers, shall not be liable to give any on-site demonstration after purchase of any of the product.
- Any product once used will not be taken back by KisanKraft Limited.
- Warranty and After Sale Services (including but not limited to installation, Demonstration, Repair, Routine Maintenance etc.), should be done through the Authorized Dealer selling this product.
- Dealers should have their own technician to provide After Sales Services to their Customers. KisanKraft Limited provides free training to Authorized Dealer's technicians at KisanKraft Limited's head office, on request from Authorized Dealer.

Product	THERMAL FOGGING SPRAYER	KisanKraft Invoice Date	
Brand	KisanKraft	KisanKraft Invoice No.	
Model	KK-STF-480 , KK-STF-560		
WARRANTY PERIOD	6 MONTHS	FOR THE SPECIFIED PERIOD FROM THE DATE OF SALE OR DELIVERY WHICHEVER IS EARLIER.	
Dealer's Invoice Date		Dealer's Invoice No.	
Buyer's Info (Name, Address, Phone, etc.):		Dealer's Stamp (Address, Phone, TIN, etc.):	
Buyer's Sign		Dealer's Sign	

Warranty Policy

What is covered: KisanKraft Limited and its manufacturers warrant this product to be free from defects in material or workmanship. All parts defective in material and workmanship are covered.

This warranty will only cover defects arising under normal usage.

This warranty is limited to repair or replacement by KisanKraft Limited or its manufacturers of such parts as appear to KisanKraft or its manufacturers, upon inspection, to be defective in material and/or workmanship. KisanKraft or its manufacturers make no warranty with respect to items not manufactured or sold by them. No onsite warranty is provided by KisanKraft Limited or its manufacturers. Defective items must be brought/sent to our Authorized Dealer or KisanKraft Limited's office for service.

What is not covered: The *warranty shall become null and void* and neither KisanKraft Limited nor any of its manufacturers, nor its authorized dealers assumes any responsibility, if the failure was caused by the following:

- (1) Operation of product with incorrect fuel or lubricants,
- (2) Incorrect usage of machine or misuse,
- (3) Lack of maintenance,
- (4) Negligence,
- (5) Accident or physical damage,
- (6) Repairs made by unauthorized parties and/or with unauthorized parts,
- (7) Improper set up, adjustments, tampering or altered products
- (8) Any modification to the product what-so-ever.

Important: (1) Normal maintenance and adjustments to the product is the responsibility of the customer. (2) Normal wear and tear are not covered under warranty. (3) Rubber/plastic parts and consumables such as blades, clutch and clutch-bell, sparkplugs, nylon line, air-filters, fuel-filters, oil seals and gaskets etc. are not covered under the warranty. (4) Electrical Motor, Electrical Parts, Battery Etc. are not covered under the warranty.

Incidental / Consequential Loss: KisanKraft Limited or its manufacturers will not be liable for general damages, including bodily injuries, or for incidental or consequential damages including, but not limited to, loss of use, loss of profits, loss of production, expense of substitute equipment or other commercial loss or damage.

This warranty is null & void, if you fail to register the warranty with KisanKraft by sending the KisanKraft Copy with dealer's stamp.

KisanKraft Limited



Wide Range of Products for Every Need



For more information give **MISSED CALL: 07676065555**



Many of our products have BIS: ISI certification.



User Manual



KisanKraft Limited

Sri Huchhanna Tower, #4, 1st Main, 7-A Cross, Maruthi Layout, Dasarahalli, HAF Post, Hebbal, Bangalore 560024, Karnataka, INDIA

- ◆ Bangalore (HO) ◆ Ahmedabad ◆ Bhopal ◆ Bhubaneswar ◆ Coimbatore ◆ Guwahati ◆ Hubli ◆ Hyderabad ◆ Nellore ◆ Jaipur ◆ Karnal ◆ Kolkata ◆ Lucknow ◆ Pune ◆ Raipur

KisanKraft has a large range of products to serve the farmers. A list of our products is given below:

CONTENTS

SPECIFICATIONS 7

Technical Specification 8

MAJOR COMPONENTS 9

WORKING PRINCIPLES 10

SAFETY PRECAUTIONS 11

DO 13

DO NOT 14

MAINTENANCE 15

FLOW RATE 16

MACHINE PARTS DIAGRAM 18

PART LIST 19

VALVE ASSEMBLY SPARE PART KIT 20

<p>Brush Cutters and Accessories</p> <ul style="list-style-type: none"> Brush Cutter/Power Weeder Backpack Brush Cutter Tea Pruner Pole pruner with Engine Reaper Attachment Blades-Circular Blades (2 & 3 points) Baffle Nylon Rope Tap & Go <p>Chainsaws</p> <ul style="list-style-type: none"> Petrol Chainsaw Electric Chainsaw Chain Sharpening Machine <p>Engines and Water Pumps</p> <ul style="list-style-type: none"> Engine –Diesel-(Horizontal) Engine –Diesel(Vertical) Engine-Kerosene Water Pump with Petrol Engine Water Pump with Kerosene Engine Water Pump with Diesel Engine <p>Hand Tools</p> <ul style="list-style-type: none"> Secateurs Folding Saw Garden Rake Garden Shovel Hedge Shear Lopper Telescopic Hedge Shear Telescopic Lopping Shear Tree Pruner Telescopic Steel Pipe & Fruit Picker Bag Sheep Shear <p>Garden Tools</p> <ul style="list-style-type: none"> Electric Pressure Washer Hedge Trimmer Lawn Mower (Electric, Petrol & Manual) Leaf Blower 	<p>Cultivators and Accessories</p> <ul style="list-style-type: none"> Petrol and Diesel <p>Sprayers and Accessories</p> <ul style="list-style-type: none"> Battery Sprayer Portable Power Sprayer Trolley Sprayer Manual Knapsack Sprayer Manual Pressure Sprayer Rose Cans Hose Crimping Machine HTP Sprayer HTP Delivery Hose HTP Hose Reel HTP Stand HTP Gun / Lance(Brass Rod) Knapsack Power Sprayer Mister / Duster / Granule Spreader HTP Sprayer Set with Diesel Engine HTP Sprayer Set with Kerosene Engine Fogging Machine <p>Milking Machine</p> <ul style="list-style-type: none"> Wood Shredder Fodder Ensiling Chaff Cutter Fodder Grinder Chaff Cutter Fodder Mini Chaff Cutter <p>Harvester</p> <ul style="list-style-type: none"> Maize Sheller Maize Sheller + Dehusker Maize Combine Harvester Onion Digger Carlotta Italy Tea Leaf Harvester Sugarcane Combine Harvester Sugarcane Leaf Stripper <p>Transplanter and Post Hole Digger</p> <ul style="list-style-type: none"> Paddy Transplanter (2 & 8 Rows) Transplanter-Vegetable & Tobacco Post Hole Digger(4" to 14"Augers)
---	--

but not limited to, loss of use, loss of profits, loss of production, expense of substitute equipment or other commercial loss or damage.

Limitation of Liability: This limited warranty is in lieu of all other express warranties, obligations, or liabilities. Any implied warranties, obligations or liabilities, including, but not limited to, any implied warranty of merchantability shall be limited in duration to the applicable warranty period. Any action for breach of any warranties hereunder, including, but not limited to, any implied warranty of merchantability must be brought within the applicable warranty period.

Modifications of Warranty: No agent, representative, dealer, or employee of KisanKraft Limited or any of its manufacturers has the authority to increase or alter the obligations of this warranty.

Assignment / Transfer of warranty: The warranty cannot be assigned and shall not transfer if the product is resold by the first buyer. The above warranties are extended to the first end user (original purchaser), and no warranty is made, nor authorized to be made assignable on resale by the first end user.

What you must do to obtain limited warranty service: To obtain performance of any obligation under this warranty for failure during the applicable warranty period, you must deliver the defective product, to the nearest Authorized Dealer, along with proof-of-purchase (invoice/receipt). KisanKraft Limited, its manufacturers and its dealers reserve the right to inspect the claimed defective part(s) to determine if the malfunction is the result of a defect covered by this warranty. Please note that the decision of KisanKraft Limited with respect to any warranty claim is final.

After-sales Service (Including Warranty): KisanKraft Limited does not sell directly to consumers. All sales or supplies are made through Authorized Dealers. It is the responsibility of the Authorized Dealer to provide all after-sales service to consumers. Any warranty claim should be raised by dealer to KisanKraft Limited as per warranty policy.

Jurisdiction: All disputes are subject to Bangalore court's jurisdiction.

Notes:

- This purchase is not contingent upon a product demonstration. The purchaser shall satisfy himself with the product, including any product demonstration or verification of any function, before buying. KisanKraft Limited or its authorized dealers, including online sellers, shall not be liable to give any on-site demonstration after purchase of any of the product.
- Any product once used will not be taken back by KisanKraft Limited.
- Warranty and After Sale Services (including but not limited to installation, Demonstration, Repair, Routine Maintenance etc.), should be done through the Authorized Dealer selling this product.
- Dealers should have their own technician to provide After Sales Services to their Customers. KisanKraft Limited provides free training to Authorized Dealer's technicians at KisanKraft Limited's head office, on request from Authorized Dealer.

Product	Cold Fogging Sprayer	KisanKraft Invoice Date	
Brand	KisanKraft	KisanKraft Invoice No.	
Model	KK-ULV-4000 KK-ULV-5000		
WARRANTY PERIOD	6 MONTHS	FOR THE SPECIFIED PERIOD FROM THE DATE OF SALE OR DELIVERY WHICHEVER IS EARLIER.	
Dealer's Invoice Date		Dealer's Invoice No.	
Buyer's Info (Name, Address, Phone, etc.):		Dealer's Stamp (Address, Phone, TIN, etc.):	
Buyer's Sign		Dealer's Sign	

Warranty Policy

What is covered: KisanKraft Limited and its manufacturers warrant this product to be free from defects in material or workmanship. All parts defective in material and workmanship are covered. This warranty will only cover defects arising under normal usage.

This warranty is limited to repair or replacement by KisanKraft Limited or its manufacturers of such parts as appear to KisanKraft or its manufacturers, upon inspection, to be defective in material and/or workmanship. KisanKraft or its manufacturers make no warranty with respect to items not manufactured or sold by them. No onsite warranty is provided by KisanKraft Limited or its manufacturers. Defective items must be brought/sent to our Authorized Dealer or KisanKraft Limited's office for service.

What is not covered: The *warranty shall become null and void* and neither KisanKraft Limited nor any of its manufacturers, nor its authorized dealers assumes any responsibility, if the failure was caused by the following:

- (1) Operation of product with incorrect fuel or lubricants, (2) Incorrect usage of machine or misuse, (3) Lack of maintenance, (4) Negligence, (5) Accident or physical damage, (6) Repairs made by unauthorized parties and/or with unauthorized parts, (7) Improper set up, adjustments, tampering or altered products (8) Any modification to the product what-so-ever.

Important: (1) Normal maintenance and adjustments to the product is the responsibility of the customer. (2) Normal wear and tear are not covered under warranty. (3) Rubber/plastic parts and consumables such as blades, clutch and clutch-bell, sparkplugs, nylon line, air-filters, fuel-filters, oil seals and gaskets etc. are not covered under the warranty. (4) Electrical Motor, Electrical Parts, Battery Etc. are not covered under the warranty.

Incidental / Consequential Loss: KisanKraft Limited or its manufacturers will not be liable for general damages, including bodily injuries, or for incidental or consequential damages including,

but not limited to, loss of use, loss of profits, loss of production, expense of substitute equipment or other commercial loss or damage.

Limitation of Liability: This limited warranty is in lieu of all other express warranties, obligations, or liabilities. Any implied warranties, obligations or liabilities, including, but not limited to, any implied warranty of merchantability shall be limited in duration to the applicable warranty period. Any action for breach of any warranties hereunder, including, but not limited to, any implied warranty of merchantability must be brought within the applicable warranty period.

Modifications of Warranty: No agent, representative, dealer, or employee of KisanKraft Limited or any of its manufacturers has the authority to increase or alter the obligations of this warranty.

Assignment / Transfer of warranty: The warranty cannot be assigned and shall not transfer if the product is resold by the first buyer. The above warranties are extended to the first end user (original purchaser), and no warranty is made, nor authorized to be made assignable on resale by the first end user.

What you must do to obtain limited warranty service: To obtain performance of any obligation under this warranty for failure during the applicable warranty period, you must deliver the defective product, to the nearest Authorized Dealer, along with proof-of-purchase (invoice/receipt). KisanKraft Limited, its manufacturers and its dealers reserve the right to inspect the claimed defective part(s) to determine if the malfunction is the result of a defect covered by this warranty. Please note that the decision of KisanKraft Limited with respect to any warranty claim is final.

After-sales Service (Including Warranty): KisanKraft Limited does not sell directly to consumers. All sales or supplies are made through Authorized Dealers. It is the responsibility of the Authorized Dealer to provide all after-sales service to consumers. Any warranty claim should be raised by dealer to KisanKraft Limited as per warranty policy.

Jurisdiction: All disputes are subject to Bangalore court's jurisdiction.

Notes:

- This purchase is not contingent upon a product demonstration. The purchaser shall satisfy himself with the product, including any product demonstration or verification of any function, before buying. KisanKraft Limited or its authorized dealers, including online sellers, shall not be liable to give any on-site demonstration after purchase of any of the product.
- Any product once used will not be taken back by KisanKraft Limited.
- Warranty and After Sale Services (including but not limited to installation, Demonstration, Repair, Routine Maintenance etc.), should be done through the Authorized Dealer selling this product.
- Dealers should have their own technician to provide After Sales Services to their Customers. KisanKraft Limited provides free training to Authorized Dealer's technicians at KisanKraft Limited's head office, on request from Authorized Dealer.

Product	Cold Fogging Sprayer	KisanKraft Invoice Date	
Brand	KisanKraft	KisanKraft Invoice No.	
Model	KK-ULV-4000 KK-ULV-5000		
WARRANTY PERIOD	6 MONTHS	FOR THE SPECIFIED PERIOD FROM THE DATE OF SALE OR DELIVERY WHICHEVER IS EARLIER.	
Dealer's Invoice Date		Dealer's Invoice No.	
Buyer's Info (Name, Address, Phone, etc.):		Dealer's Stamp (Address, Phone, TIN, etc.):	
Buyer's Sign		Dealer's Sign	

Warranty Policy

What is covered: KisanKraft Limited and its manufacturers warrant this product to be free from defects in material or workmanship. All parts defective in material and workmanship are covered. This warranty will only cover defects arising under normal usage. This warranty is limited to repair or replacement by KisanKraft Limited or its manufacturers of such parts as appear to KisanKraft or its manufacturers, upon inspection, to be defective in material and/or workmanship. KisanKraft or its manufacturers make no warranty with respect to items not manufactured or sold by them. No onsite warranty is provided by KisanKraft Limited or its manufacturers. Defective items must be brought/sent to our Authorized Dealer or KisanKraft Limited's office for service.

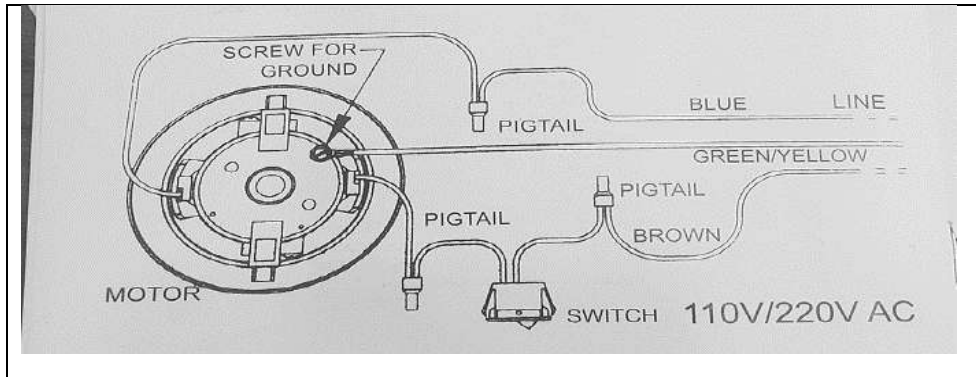
What is not covered: The *warranty shall become null and void* and neither KisanKraft Limited nor any of its manufacturers, nor its authorized dealers assumes any responsibility, if the failure was caused by the following:

- (1) Operation of product with incorrect fuel or lubricants,
- (2) Incorrect usage of machine or misuse,
- (3) Lack of maintenance,
- (4) Negligence,
- (5) Accident or physical damage,
- (6) Repairs made by unauthorized parties and/or with unauthorized parts,
- (7) Improper set up, adjustments, tampering or altered products
- (8) Any modification to the product what-so-ever.

Important: (1) Normal maintenance and adjustments to the product is the responsibility of the customer. (2) Normal wear and tear are not covered under warranty. (3) Rubber/plastic parts and consumables such as blades, clutch and clutch-bell, sparkplugs, nylon line, air-filters, fuel-filters, oil seals and gaskets etc. are not covered under the warranty. (4) Electrical Motor, Electrical Parts, Battery Etc. are not covered under the warranty.

Incidental / Consequential Loss: KisanKraft Limited or its manufacturers will not be liable for general damages, including bodily injuries, or for incidental or consequential damages including,

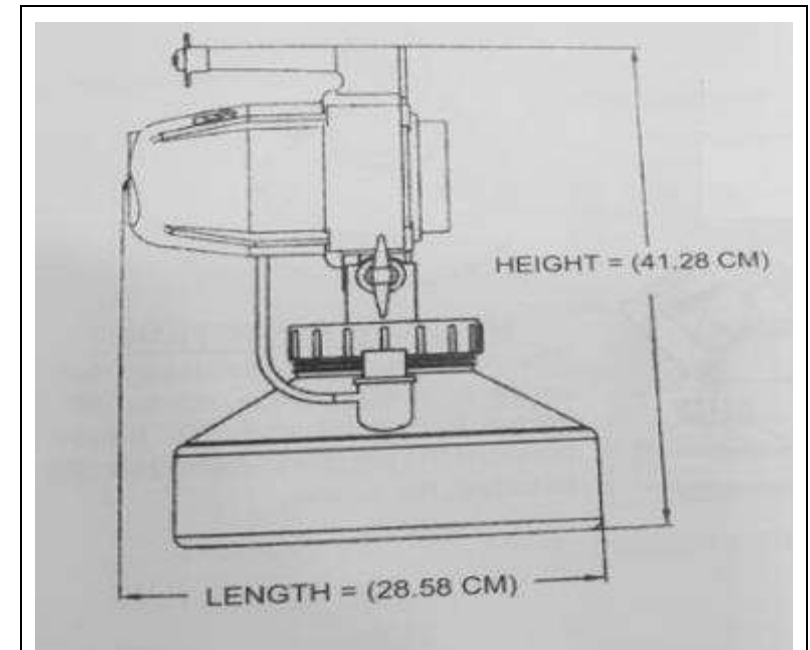
ELECTRICAL SCHEMATICS



SCREW FOR GROUND, MOTOR, PIGTAIL, BLUE, LINE, BROWN, GREEN/YELLOW, SWITCH, 110V/220V AC

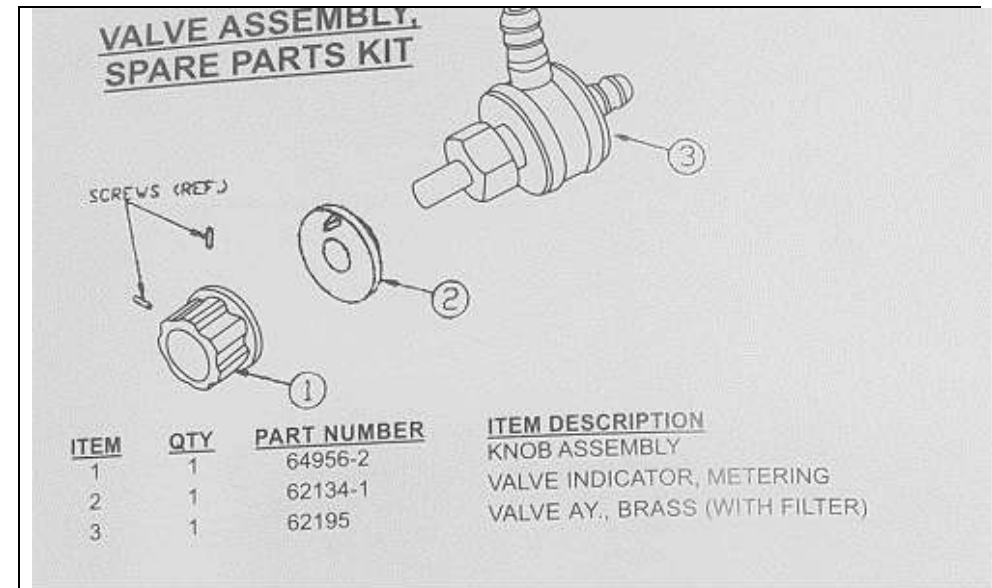
SPECIFICATIONS

This is an electric “Cold Fog” ULV/Mister with three rugged nylon nozzles. This device is intended for applications of both oil bases (following necessary precautions) and water based chemical treatments including wet able powders and wet flow able. The body and tank are made of high-density chemical resistant polyethylene. The applicator is useful for dispensing most chemicals which are labeled for aerosol or mist applications such as disinfectants, deodorizers, germicides, insecticides, etc., in locations like hospitals, schools, nursing homes, greenhouses, stables, warehouse, homes, and farm buildings. The particle sizes generated range from 7 to 30 microns VMD, depending on the flow rate and viscosity of the materials.



Technical Specification

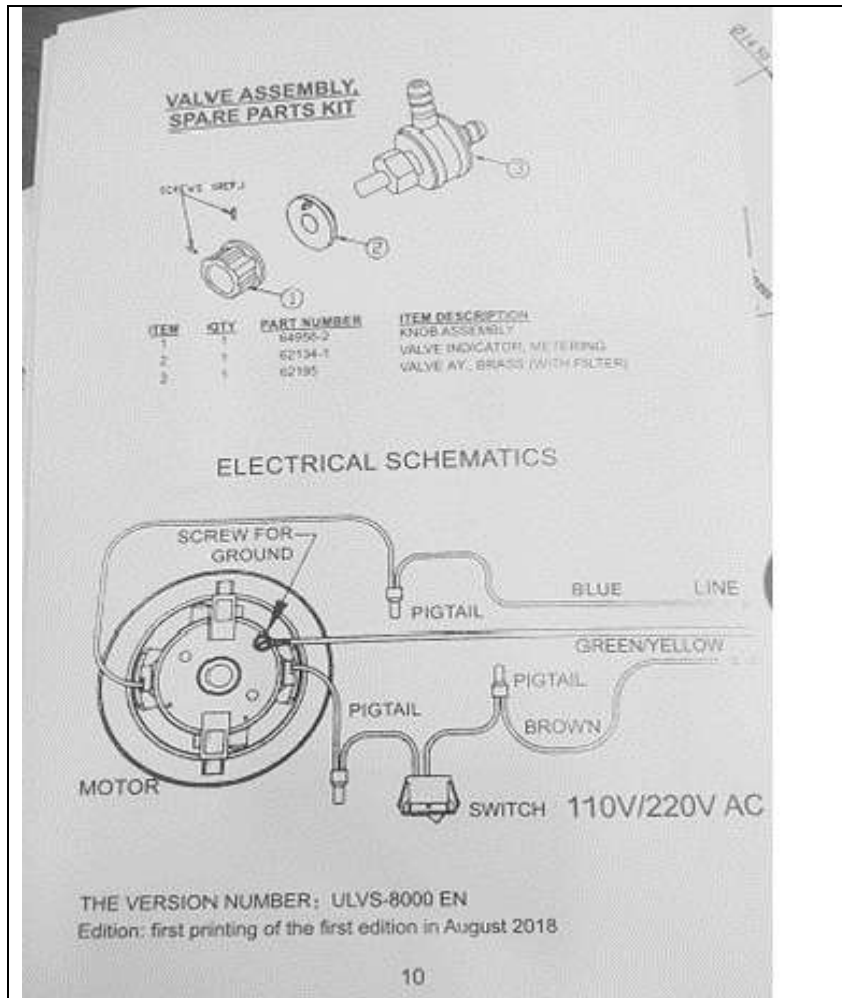
MODEL	KK-ULV-4000	KK-ULV-5000
Tank Capacity	4L	5L
Tank Material	PE	
Droplet Size	5-30 microns	5-50 microns
Voltage	110-220V	
Rotate	20000 rpm	
Flow rate	19L/H	
Horizontal range	15M	20M
Dimension	365x285x450MM	365x285x430MM
G.W /N.W	3.86 kg/3.0	4.3 kg/3.8



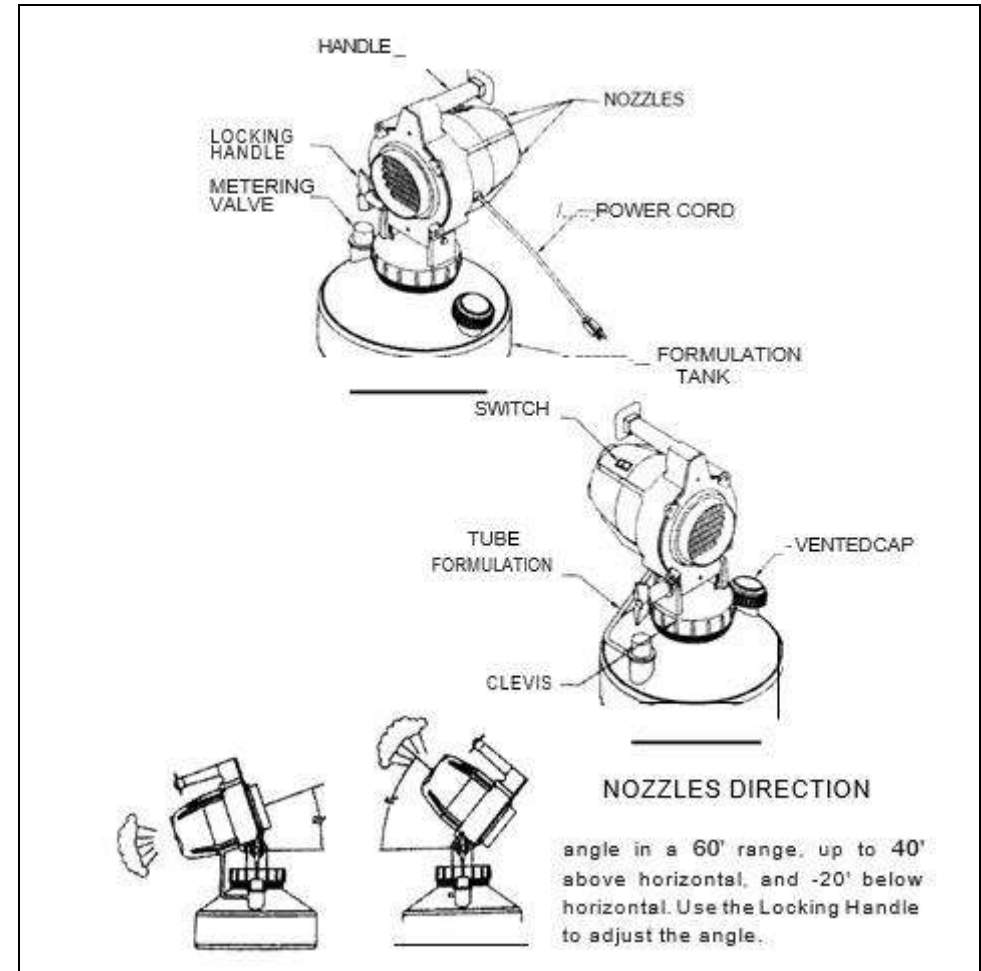
ITEM	QTY	PART	ITEM DESCRIPTION
1	1	64956-2	KNOB ASSEMBLY
2	1	62134-1	VALVE INDICATOR, METERING
3	1	62195	VALVE AY., BRASS (WITH FILTER)

37	62134	1	VLAVE INDICATOR
38	62195	1	VLAVE ASSEMBLY
39	62233	2	BRACKET

VALVE ASSEMBLY SPARE PART KIT



MAJOR COMPONENTS



WORKING PRINCIPLES

The machine consists of a motor/blower assembly, a nozzle system, nozzle housing, a formulation tank and a metering valve, the various components are identified in a diagram below. The blower is a single stage/centrifugal impeller/axial flow driven by a universal motor operating at a speed of about 20,000 RPM. The blower moves a large amount of air through the nozzle system consisting of three individual nozzles, each of which has two sets of directing vanes. One vane set causes the air to be rotated clockwise and the other causes forces shears the material being dispensed into small particles. Further, the air rushing by the specially shaped liquid tubes creates a negative pressure in the liquid tube. This negative pressure causes the liquid to be drawn from the formulation tank through the control valve and into the nozzle system where it is pneumatically sheared into aerosol or mist size droplets, after break-up, the droplets are driven away from the machine by the air passing through the nozzle system

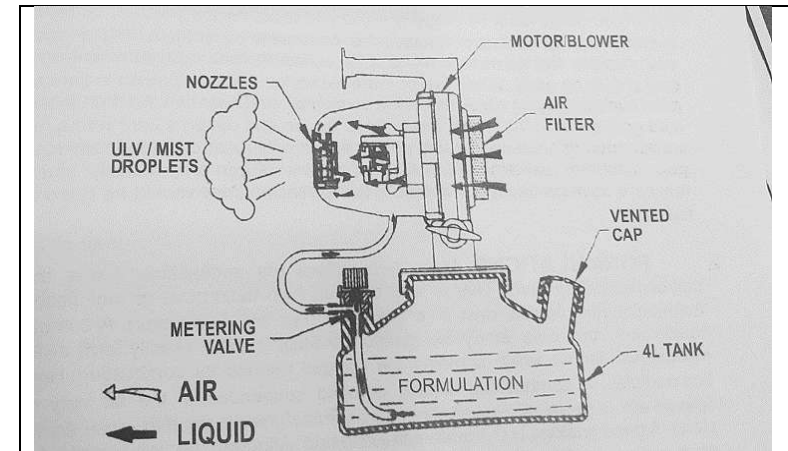
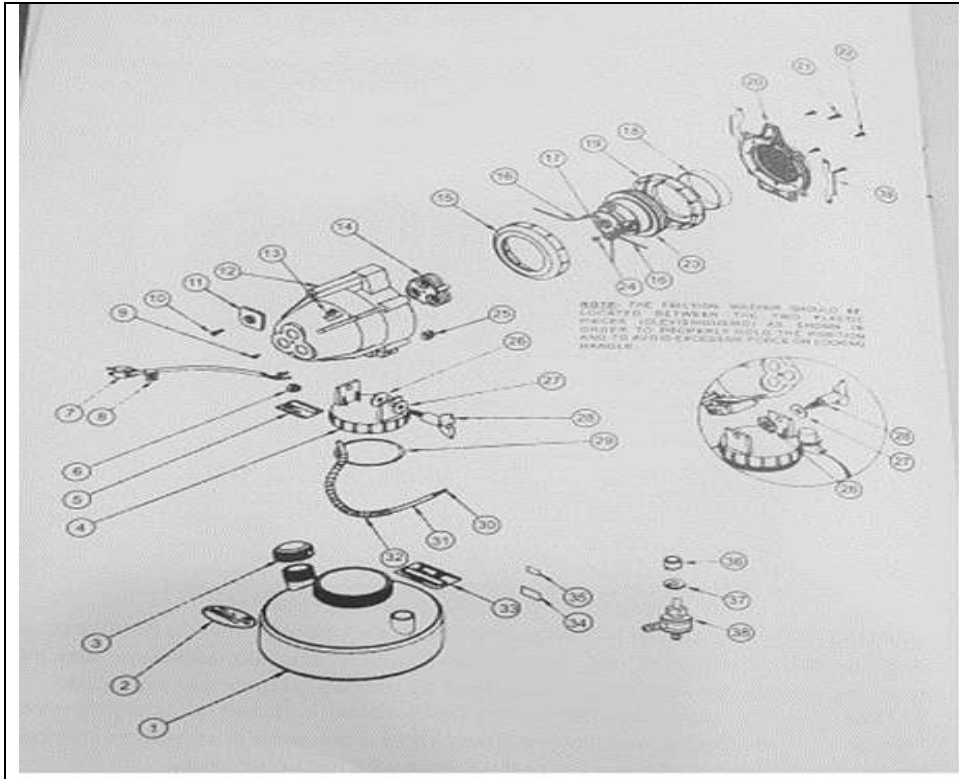
Generally, the size of the output droplets increases with increasing flow rate and with increasing viscosity

PART LIST

Item	Part No.	Qty	Part Name
1	62130	10	TANK
2	63156	1	LABEL
3	62135	1	CAP ASSEMBLY
4	62131	1	CLEVIS
5	62151	2	LABELS,220V
6	20180	1	STRAIN CONNECTOR
7	62051	1	POWER CORD
8	86855	1	TAG
9	63261	2	SCREW
10	62378	1	SCREW
11	62053	54	HAND STOP
12	62001	54	HOUSING
13	62006	1	SWITCH
14	62045	54	NOZZLE ASSEMBLY
15	62366	1	GASKET
16	62471	1	WIRE ASSEMBLY
17	138530	1	WASHER
18	62144	1	SAPCER
19	62366	1	GASKET
20	62027	1	COVER
21	62160	2	SCREW
22	62161	4	SCREW
23	62147	1	MOTOR,BLOWER ASSEMBLY
24	9425089	1	SCREW
25	62367	1	NUT
26	62083	1	WASHER
27	62128	1	WASHER
28	62010	54	LOCKING HANDLE
29	10000	343	O RING
30	74312	3	SPRING
31	62054	1	TUBE
32	62017	1	GUARD,TUBE
33	62151	2	LABEL
34	62057	1	WARNING LABELS
35	63409	1	LABEL
36	64956	1	KNOB ASSEMBLY

MACHINE PARTS DIAGRAM

NOTE: THE FRICTION WASHER SHOULD BE LOCATED BETWEEN THE TWO PLASTIC PIECES (CLEVIS/HOUSING) AS SHOWN IN ORDER TO PROPERLY HOLD THE POSITION AND TO AVOID EXCESSIVE FORCE ON LOCKING HANDLE.



SAFETY PRECAUTIONS

WARNING

READ AND UNDERSTAND THESE SAFETY PRECAUTIONS BEFORE OPERATING MACHINE. FAILURE TO PROPERLY FOLLOW THESE PRECAUTIONS MAY LEAD TO A FIRE, EXPOSION OR ELECTRIC SHOCK HAZARD.

1. ELECTRIC POWRT. This machine uses electrical power at common commercially available voltages. When directly contacted, such voltages are hazardous to human life. All precautions commonly applicable to the use of the electric power general are applicable to the use of this machine. This machine is designed to operate from three wire power systems where one of the wires is a "cheater plugs to connect this machine to a two-wire system. This defeats the purpose of the safety ground and may result in a hazardous electrical shock

condition.

When making repairs on the machine, use an area or work bench that is dry and not electrically conductive. Dry natural wood and plastics are generally non-conductive at the working voltages of this machine. Metals are usually conductive. Do not probe inside the machine.

Extension cords must be properly sized and tatted for the voltage, current and length of an individual cord. Consult the nameplate current and voltage rating of your machine and the marked rating of the extension cord. A single extension cord. A single extension cord only should be used. When two or more extension cord are placed in series, the rated current carrying capacities of the cords may no longer be valid if an extension cord gets warm to the touch, discontinue its use and obtain a cord with a higher current Tate. Improper extension cords are not only hazardous, but may result in poor machine. Performance due to excessive voltage drop. Finally, since the machine uses oil-based formulation, the extension cord should be rated as oil resistant.

2. FORMULATIONS. Many formulations are combustible; that is, they all can be caused to burn. This is true of even high flash point or “no “flash point formulation(fine particle dust in a grain mill has “no “flash point).A combustible liquid vapor can more easily be ignited because it more readily form a uniform mixture with the air which contains the oxygen needed for combustion. However, fine particles of combustible liquids or solid suspended in the air very closely spaced are capable of propagating flame from one to another once an ignition starts. A good analogy is the grain mill explosion. Although the fine particle dust in a grain mill has “no” flash point, the phenomena of the grain mill explosion is and all too common occurrence. Where a high flash point or “no “flash point liquid formulation will ignite far less readily than a low flash point liquid and for this reason is strongly advocated. The higher or “no “flash point formulation can ignite if the proper conditions exist. These conditions are basically two:

- 1. A sufficiently volume of liquid in the form of fine particles suspended in the air;

MED(*)	225	13.2	3.6	20MICRONS
MAX(*)	330	19.8	5.2	25MICRONS

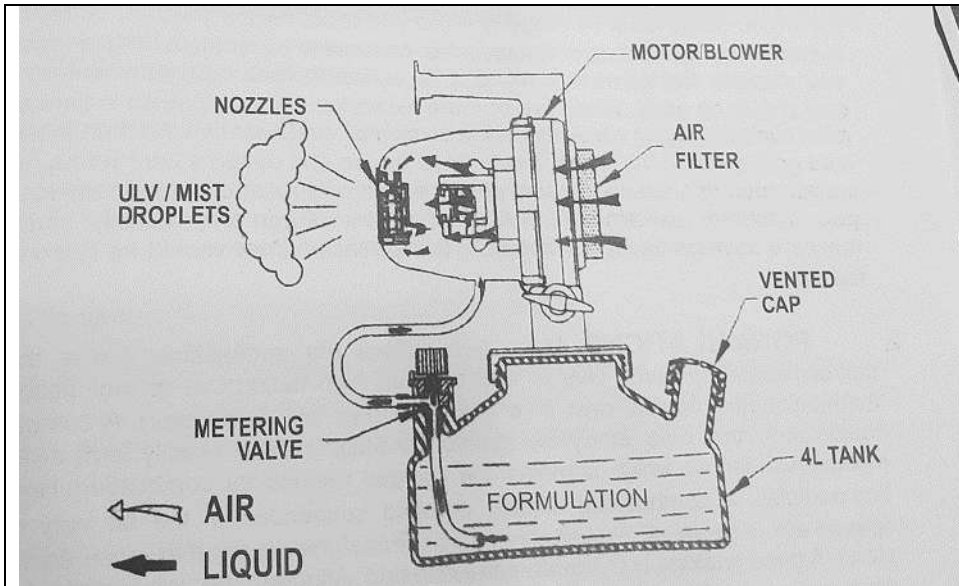
IMPORTANT: This device is designed to dispense formulations in a SPRAY (Cold Fog).or MIST. Many of the formulations which may be dispensed with this machine require registration with approval by various government agencies (*) Note: All flow rate information in the table above is based on spraying water.

Thicker viscosity liquids will flow at lower rates than what is shown and produce bigger droplet size. Calibrate flow rate before attempting to spray.

FLOW RATE

Turning the knob of the metering valve regulates the flow rate. If the knob is rotated clockwise, the flow rate will be reduced. If the knob is rotated counter clockwise, the flow rate will be increased.

As reference, the average flow rate is shown in the bottom table at three different positions of the metering valve knob when using water.



METERING VALVE SETTING	FLOW RATE AND DROPLET SIZE			
	FLOW RATE			DROPLET SIZE
	ML/MIN	L/H	GPH	
LOW(*)	70	4.2	1.1	14MICRONS

- 2. A sufficiently high energy source of ignition.

3. AEROSOL CONCENTRATION. It has been fully established that an acceptable level of liquid in the atmosphere is one gallon per 50,000 cubic feet (2.7 liter per 1,000 cubic meters). There is a safety margin of at least 5 to 1 in this figure.

4. AEROSOL IGNITION. If a combustible atmosphere is established or a combustible deposit is laid down, a source of ignition may cause a fire. Sources of ignition can be gas or oil pilot lights or sparks from electrical controls. Therefore, it is strongly recommended that all such sources be eliminated by extinguishing all pilot lights and turning off all unnecessary electric power. To avoid danger of fire or explosion in an enclosed space, the enclosed volume fogging time and required formulation volume should be carefully calculated.

PROPER AND IMPROPER USE.

The following rules apply to the operation of this machine.

DO

- Read the entire manual before operating the machine and pay particular attention to all CAUTION AND WARNINGS.
- Store formulation in its original labeled container.
- Use an extension cord which is properly rated for voltage, current and length and which is free from nicks, cracks and other signs of prior abuse. For lengths up to 100feet (30.5 meters) cord No.12AWG wire are usually adequate.
- Replace damaged or worn electric cord immediately.

- Turn the flow valve CLOCKWISE to the OFF position after each spray application while the motor is still operating to allow clearing of the lines. This will also prevent a siphon effect if the unit is ever accidentally knocked over with the valve remaining open.
- Always comply with any requirements for protective clothing, goggles, gloves, facial masks or respirator required by the formulation label.
- Ensure that formulation are applied only in strict compliance with the formulation label as well as local state and Federal regulations.

DO NOT

- **Do not** spray flammable liquids near open flame or other source of ignition.
- **Do not** use a machine that is broken or damaged in any way.
- **Do not** Alter the machine by adding or removing parts.
- **Do not** restrict the motor blower inlet area.
- **Do not** tamper with the output nozzle.
- **Do not** allow the machine to operate unattended.
- **Do not** Apply more than one gallon of formulation per 50,000 cubic feet (2.7 liters per 1,000 cubic meter) enclosed space. Exceeding this concentration is both hazardous and wasteful.

MAINTENANCE

1. Periodically clean the formulation tank using a hot water/detergent solution. Fully open the machine valve and operate the machine for 3 to 5 minutes, flushing the solution through the valve, lines and nozzle.
2. Examine the electrical cord for evidence of damage and replace any damaged cord immediately.
3. After 400-500 hours of operation, carefully remove the blower assembly and examine the brushes and the commutator bars of the blower motor. If brushes show excessive wear or damage, replace the blower assembly (see ITEM #24, in Part list page).
4. If it becomes necessary to disassemble the machine flow valve for cleaning, be careful not to enlarge the metering orifice or damage the taper of the valve stem, as this will affect the calibration of the machine.