

**OUR PRODUCTS RANGE**

**ANGLE GRINDER**

**MARBLE CUTTER**

**CIRCULAR SAW**

**CUT-OFF MACHINE**

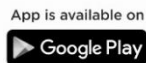
**CONCRETE VIBRATOR**

**DEMOLITION HAMMER**

**ROTARY HAMMER**

**IMPACT DRILL**

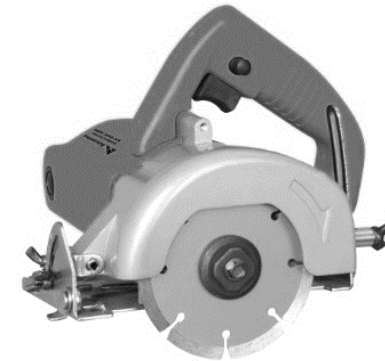
**ARC WELDING MACHINE**

**CHAINSAW**


App is available on


 Scan the QR code to download  
**KisanKraft App**

# User Manual



## *KisanKraft Limited*

Sri Huchhanna Tower, #4, 1<sup>st</sup> Main, 7-A Cross, Maruthi Layout, Dasarahalli,  
 HAF Post, Hebbal, Bangalore 560024, Karnataka, INDIA

- ◆ Bangalore (HO) ◆ Ahmedabad ◆ Bhopal ◆ Bhubaneswar ◆ Coimbatore ◆
- ◆ Guwahati ◆ Hubli ◆ Hyderabad ◆ Nellore ◆ Jaipur
- ◆ Karnal ◆ Kolkata ◆ Lucknow ◆ Pune ◆ Raipur


 Scan the QR code to download  
**KisanKraft App**


App is available on

## CONTENTS

Overview .....	3
General Safety Instructions for Electric Tools .....	4
Operation Instruction.....	7
<b>Maintenance</b> .....	9
Technical Specifications .....	10
Part Diagram .....	11

Sri Huchhanna Tower # 4, 1st Main,  
 7-A Cross, Maruthi Layout, Dasarahalli,  
 HAF Post, Hebbal, Bangalore - 560 024,  
 Karnataka  
 Phone: 080 6835 7800  
 Email: info@kisankraft.com  
 GSTIN: 29AACCK6445J1Z6

G-11, Karnavati Estate, Sarkhej -  
 Sanand Road, Besides Hotel Orange  
 Inn, Ahmedabad - 382 210, Gujarat  
 Phone: +91 92280 00760  
 Email:  
 info.ahmedabad@kisankraft.com  
 GSTIN: 24AACCK6445J1ZG

Shed #1, Near C-21 Mall,  
 Hoshangabad Road, Bhopal - 462  
 026, Madhya Pradesh  
 Phone: +91 70242 11672  
 Email: info.bhopal@kisankraft.com  
 GSTIN: 23AACCK6445J1ZI

### Bhubaneswar (Odisha)

Plot No. 2509, Near Toyota Showroom,  
 Nuagada, PO-Telengapentha, PS-  
 Banapur, Cuttack, Sadar - 753 011,  
 Odisha  
 Phone: 0671 2959 166  
 Email: info.bhubaneswar@kisankraft.com  
 GSTIN: 21AACCK6445J1ZM

### Coimbatore (Tamil Nadu)

291/7, Kothari Nagar, MTP Road,  
 Opp. Sai Hospital, Vadamadurai Post,  
 Coimbatore - 641 017, Tamil Nadu  
 Phone: 0422 2460 199  
 Email: info.coimbatore@kisankraft.com  
 GSTIN: 33AACCK6445J1ZH

### Guwahati (Assam)

Ground Floor, Word No. 06, Near  
 LP School, Paschim, Boragaon  
 Post, Kamrup, Guwahati - 781  
 035, Assam  
 Phone: 0361 2960 299  
 Email:  
 info.guwahati@kisankraft.com  
 GSTIN: 18AACCK6445J1Z9

### Hubli (Karnataka)

LG-2, Akshay Enclave, Kusugal Road  
 Keshwapur, Hubli - 580 023, Karnataka  
 Phone: 0836 2287 877  
 Email: info.hubli@kisankraft.com  
 GSTIN: 29AACCK6445J1Z6

### Hyderabad (Telangana)

Plot No. 7, H No. 5-5-35/234,  
 Shaktipeetam, Prashantinagar, I.D.A.,  
 Kukatpalli, Hyderabad - 500 072,  
 Telangana  
 Phone: 040 4025 0114  
 Email: info.hyderabad@kisankraft.com  
 GSTIN: 36AACCK6445J1ZB

### Jaipur (Rajasthan)

No. 69-A, Sudershanpura  
 Industrial Area, Bais Godam,  
 Jaipur - 302 006, Rajasthan  
 Phone: 0141 2219 128  
 Email: info.jaipur@kisankraft.com  
 GSTIN: 08AACCK6445J1ZA

### Karnal (Haryana)

Near Shani Mandir, Bypass GT Road,  
 Karnal - 132 001, Haryana  
 Phone: +91 70822 18201  
 Email: info.karnal@kisankraft.com  
 GSTIN: 06AACCK6445J1ZE

### Kolkata (West Bengal)

Sadananda Ind. Estate, Dag No. 1183,  
 Mouza-Balitikuri & Dag No.1504,  
 Dharsa-Balitikuri, Bakkultala, Howrah -  
 711 113, West Bengal  
 Phone: 033 2955 0403  
 Email: info.kolkata@kisankraft.com  
 GSTIN: 19AACCK6445J1Z7

### Lucknow (Uttar Pradesh)

Plot No. E-45, Phase-2, Transport  
 Nagar, Kanpur Road,  
 Lucknow - 226 012, Uttar Pradesh  
 Phone: 0522 2978 200  
 Email:  
 info.lucknow@kisankraft.com  
 GSTIN: 09AACCK6445J1Z8

### Nellore (Andhra Pradesh)

Podalakur Sangam Road, Opp.  
 Sudalagunta Sugar Factory,  
 Prabhagiriapatnam Village Podalakur  
 Mandal, Sri Potti Sreeramulu, Nellore -  
 524 345, Andhra Pradesh  
 Phone: 080 2217 8200  
 Email: info@kisankraft.com  
 GSTIN: 37AACCK6445J1Z9

### Pune (Maharashtra)

S.R.No. 133, Village – Uruli Devanchi,  
 Taluka – Haveli, District – Pune - 412  
 308, Maharashtra  
 Phone: +91 84829 75446  
 Email: info.pune@kisankraft.com  
 GSTIN: 27AACCK6445J1ZA

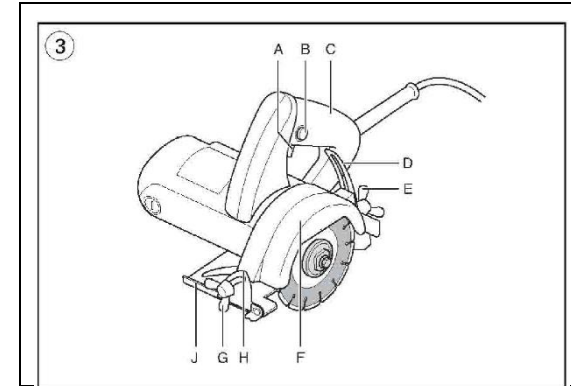
### Raipur (Chhattisgarh)

Block No. 5, Plot No. W1A-04, Dr.  
 Khoob Chand Baghel, Transport  
 Nagar, Rawabhata, Raipur - 492  
 010, Chhattisgarh  
 Phone: +91 91099 98071  
 Email: info.raipur@kisankraft.com  
 GSTIN: 22AACCK6445J1ZK

**Wide Range of Products for Every Need**



**Overview**



- A. On/Off switch
- B. Locking button
- C. Handle
- D. Cutting depth scale
- E. Winged screw for cutting depth setting
- F. Protective guard
- G. Winged screw for cutting angle setting (only for MC1400)
- H. Cutting angle scale
- J. Base plate

For more information give **MISSED CALL: 07676065555**



Many of our products have BIS: ISI certification.



## General Safety Instructions for Electric Tools

This device is exclusively for private use! It is not fit for commercial use!

**WARNING!** Read all instructions. Failure to follow all instructions listed below may result in electric shock, fire and/or serious injury:

### SAVE THESE INSTRUCTIONS

#### 1) Work area

- **Keep work area clean and well lit.** Cluttered and dark areas invite accidents
- **Do not operate machines in explosive atmospheres, such as in the presence of flammable liquids, gases or dust.** Machines create sparks which may ignite the dust or fumes.
- **Keep children and bystanders away while operating a machine.** Distractions can cause you to lose control.

#### 2) Electrical safety

- **Machine plugs must match the outlet. Never modify the plug in any way. Do not use any adapter plugs with earthed (grounded) machines.** Unmodified plugs and matching outlets will reduce risk of electric shock.
- **Avoid body contact with earthed or grounded surfaces such as pipes, radiators, ranges and refrigerators.** There is an increased risk of electric shock if your body is earthed or grounded.
- **Do not expose machines to rain or wet conditions.** Water entering a machine will increase the risk of electric shock.
- **Do not abuse the cord. Never use the cord for carrying, pulling or unplugging the machine. Keep cord away from heat, oil, sharp edges or moving parts.** Damaged or entangled cords increase the risk of electric shock.
- **When operating a machine outdoors, use an extension cord suitable for outdoor use.** Use of a cord suitable for outdoor use reduces the risk of electric shock.

KisanKraft has a large range of products to serve the farmers. A list of our products is given below:

<p><b>Brush Cutters and Accessories</b></p> <ul style="list-style-type: none"> <li>Brush Cutter/Power Weeder</li> <li>Backpack Brush Cutter</li> <li>Tea Pruner</li> <li>Pole pruner with Engine</li> <li>Reaper Attachment</li> <li>Blades-Circular</li> <li>Blades (2 &amp;3 points)</li> <li>Baffle</li> <li>Nylon Rope</li> <li>Tap &amp; Go</li> </ul> <p><b>Chainsaws</b></p> <ul style="list-style-type: none"> <li>Petrol Chainsaw</li> <li>Electric Chainsaw</li> <li>Chain Sharpening Machine</li> </ul> <p><b>Engines and Water Pumps</b></p> <ul style="list-style-type: none"> <li>Engine –Diesel-(Horizontal)</li> <li>Engine –Diesel(Vertical)</li> <li>Engine-Kerosene</li> <li>Water Pump with Petrol Engine</li> <li>Water Pump with Kerosene Engine</li> <li>Water Pump with Diesel Engine</li> </ul> <p><b>Hand Tools</b></p> <ul style="list-style-type: none"> <li>Secateurs</li> <li>Folding Saw</li> <li>Garden Rake</li> <li>Garden Shovel</li> <li>Hedge Shear</li> <li>Lopper</li> <li>Telescopic Hedge Shear</li> <li>Telescopic Lopping Shear</li> <li>Tree Pruner</li> <li>Telescopic Steel Pipe &amp; Fruit Picker Bag</li> <li>Sheep Shear</li> </ul> <p><b>Garden Tools</b></p> <ul style="list-style-type: none"> <li>Electric Pressure Washer</li> <li>Hedge Trimmer</li> <li>Lawn Mower (Electric, Petrol &amp; Manual)</li> <li>Leaf Blower</li> </ul>	<p><b>Cultivators and Accessories</b></p> <ul style="list-style-type: none"> <li>Petrol and Diesel</li> </ul> <p><b>Sprayers and Accessories</b></p> <ul style="list-style-type: none"> <li>Battery Sprayer</li> <li>Portable Power Sprayer</li> <li>Trolley Sprayer</li> <li>Manual Knapsack Sprayer</li> <li>Manual Pressure Sprayer</li> <li>Rose Cans</li> <li>Hose Crimping Machine</li> <li>HTP Sprayer</li> <li>HTP Delivery Hose</li> <li>HTP Hose Reel</li> <li>HTP Stand</li> <li>HTP Gun / Lance(Brass Rod)</li> <li>Knapsack Power Sprayer</li> <li>Mister / Duster / Granule Spreader</li> <li>HTP Sprayer Set with Diesel Engine</li> <li>HTP Sprayer Set with Kerosene Engine</li> <li>Fogging Machine</li> </ul> <p><b>Milking Machine</b></p> <ul style="list-style-type: none"> <li>Wood Shredder</li> <li>Fodder Ensiling Chaff Cutter</li> <li>Fodder Grinder Chaff Cutter</li> <li>Fodder Mini Chaff Cutter</li> </ul> <p><b>Harvester</b></p> <ul style="list-style-type: none"> <li>Maize Sheller</li> <li>Maize Sheller + Dehusker</li> <li>Maize Combine Harvester</li> <li>Onion Digger Carlotta Italy</li> <li>Tea Leaf Harvester</li> <li>Sugarcane Combine Harvester</li> <li>Sugarcane Leaf Stripper</li> </ul> <p><b>Transplanter and Post Hole Digger</b></p> <ul style="list-style-type: none"> <li>Paddy Transplanter (2 &amp; 8 Rows)</li> <li>Transplanter-Vegetable &amp; Tobacco</li> <li>Post Hole Digger(4" to 14" Augers)</li> </ul>
---	---

**PART LIST**

No.	Part list	No.	Part list
1	Wind guide	35	Inner flange
2	O-ring	36	Seal ring
3	Screw	37	Bearing cover
5	Stator	38	Bush
8	Insulation washer	39	Bearing
9	Bearing	40	Bearing seat
10	Anti-dust cover	41	Big gear
11	Handle cover	42	Bearing
12	Switch cover	43	Guard
14	Switch	44	Pinion gear
15	Spindle	45	Bearing
17	Housing	46	Seal ring
18	Nameplate	47	Washer
19	Tapping screw	48	Key
21	Tapping screw	49	Rotor
22	Washer	50	Screw
23	O-ring	51	Flange screw
28	Tapping screw	52	Out flange
29	Cable clamp	53	Spring pin
30	Cable sleeve	54	base
31	Power cable	55	Socket
32	Brush holder	56	Circlip
33	Carbon brush	57	Wing screw for depth
34	Brush cover		

**3) Personal safety**

- **Stay alert, Watch what you are doing and use common sense when operating a machine. Do not use a machine while you are tired or under the influence of drugs, alcohol or medication.** A moment of inattention while operating machines may result in serious personal injury.
- **Use safety equipment. Always wear eye protection.** Safety equipment such as dust mask, non-skid safety shoes, hard hat, or hearing protection used for appropriate conditions will reduce personal injuries.
- **Avoid accidental starting. Ensure the switch is in the off position before plugging in.** Carrying machines with your finger on the switch or plugging in machines that have the switch on invites accidents.
- **Remove any adjusting key or wrench before turning the machine on.** A wrench or a key left attached to a rotating part of the machine may result in personal injury.
- **Do not overreach. Keep proper footing and balance at all times.** This enables better control of the machine in unexpected situations.
- **Dress properly. Do not wear loose clothing or jewellery. Keep your hair, clothing and gloves away from moving parts.** Loose clothes, jewellery or long hair can be caught in moving parts.
- **If devices are provided for the connection of dust extraction and collection facilities, ensure these are connected and properly used.** Use of these devices can reduce dust related hazards.

**4) Machine use and care**

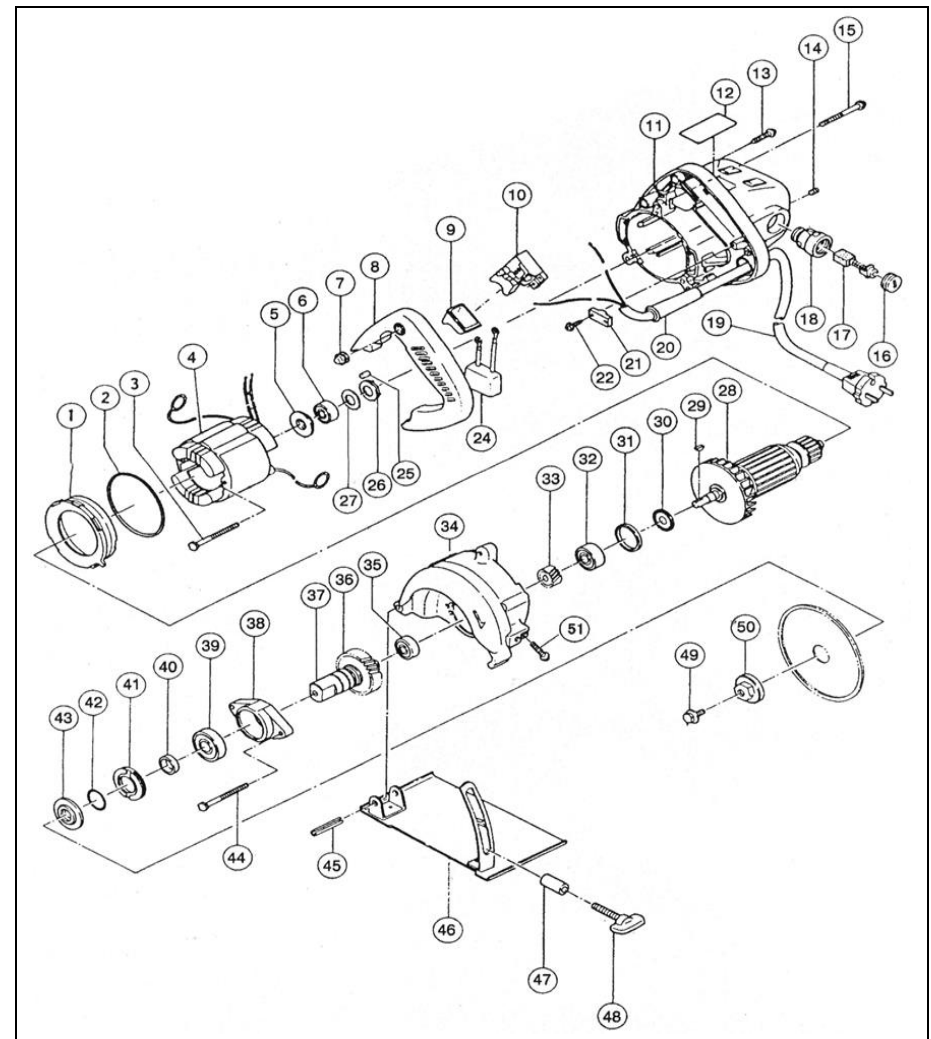
- **Do not force the machine. Use the correct machine for your application.** The correct machine will do the job better and safer at the rate for which it was designed.
- **Do not use the machine if the switch does not turn it on and off.** Any machine that cannot be controlled with the switch is dangerous and must be repaired.
- **Disconnect the plug from the power source before making any adjustments, changing accessories, or storing machines.** Such preventive safety measures reduce the risk of starting the machine accidentally.
- **Store idle machines out of the reach children and do not allow persons unfamiliar with the machine or these instructions to operate the machine.** Machines are dangerous in the hands of untrained users.

- **Maintain machines. Check for misalignment or binding of moving parts, breakage of parts and any other condition that may affect the machines operation. If damaged, have the machine repaired before use.** Many accidents are caused by poorly maintained machines.
- **Keep cutting tools sharp and clean.** Properly maintained cutting tools with sharp cutting edges are less likely to bind and are easier to control.
- **Use the machine, accessories and tool bits etc., in accordance with these instructions and in the manner intended for the particular type of machine, taking into account the working conditions and the work to be performed.** Use of the machine for operations different from intended could result in a hazardous situation.

### 5) Service

- **Have your machine serviced by a qualified repair person using only identical replacement parts.** This will ensure that the safety of the machine is maintained.
- **Safety instructions for marble cutters**
- Always use guard provided with the tool. The guard must be securely attached to the power tool and positioned for maximum safety, so the least amount of wheel is exposed towards the operator. Position yourself and bystanders away from the plane of the rotating wheel. The guard helps to protect operator from broken wheel fragments and accidental contact with wheel.
- Use only flat reinforced or diamond cut-off wheels for your power tool. Just because an accessory can be attached to your power tool, it does not assure safe operation.
- The rated speed of the wheel must be at least equal to the maximum speed marked on the power tool. Wheels running faster than their rated speed can break and fly apart.
- Wheel must be used only for recommended applications.
- The outside diameter and the thickness of your wheel must be within the capacity rating of your power tool. Incorrectly sized wheel cannot be adequately guarded or controlled.
- The arbour size of wheels and flanges must properly fit the spindle of the power tool. Wheels and flanges with arbour holes that do not match the mounting hardware of the power tool will run out of balance, vibrate excessively and may cause loss of control.
- Wear personal protective equipment. Depending on application, use face shield, safety goggles or safety glasses.

### Part Diagram



### Technical Specifications

Model	AY-PMC-125N
Rated Voltage (V~)	220V
Rated Frequency (Hz)	50HZ
Blade Dia./ Cutting Depth/ Angle	125mm/ 40mm/ 0-45°
Rated Power Input (W)	1400
Rated Speed (r/min)	13000
G.W	3.56 Kgs
N.W:	3.16 Kgs

**Note:** Technical data is subject to change without prior notice.

### Operation Instruction

#### Switch On and Off

- To start the machine, press the On/Off switch A.
- To lock on, push and hold the On/Off switch A and press the lock-on button B.
- To switch the machine off, release the On/Off switch A or press and then release it.

#### Changing the tool

- Before any work on the tool itself, pull the power plug.

#### Inserting

- Place the mounting flange L onto the motor spindle K
- Place the diamond cutting disc M onto the motor spindle K and tighten the damping screw Q must thereby hold the clamping flange N tightly with the ring spanner P.
- When mounting, make sure that the direction of the arrows on the protective guard F and the diamond cutting disc M both point in the same direction.

#### Removing

- Hold the clamping flange N with the ring spanner P and loosen the clamping screw Q using a socket wrench R.

**Warning:** left-hand thread

### Adjusting the cutting angle

- Loosen the winged screw G. Pivot the machine sideways until the desired cutting angle is set on scale H. Tighten winged screw G again. Adjusting the cutting depth

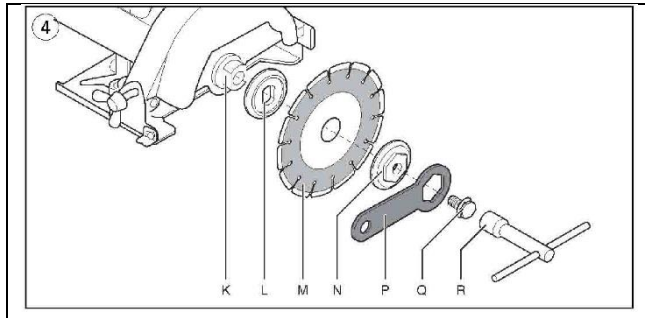
### To adjust the cutting depth (only for MC1400):

- Loosen the winged screw E and displace the base plate J along its front side, lowering or raising it until reaching the desired measure
- Raise: for smaller cutting depths.
- Lower: for greater cutting depths.
- Use a ruler, scale or something similar to adjust the required depth. Retighten the winged screw

E.

### Maintain a uniform feeding speed during the entire cutting procedure.

- If a perfect cut is desired, the diamond-cutting disc must protrude 2mm out of the material.



### Maintenance

- Before daily start-up inspect tool, power cord and saw blade, looking for chips and cracks.
- If damage has occurred, repair affected areas before use.
- Clean and blow off the exterior of tool and around air intake vents to remove any standing water or stone dust on the field coil, carbon brusher and bearings. Failure to do this will shorten the life of your tool, and could void your warranty.