

Important: (1) Normal maintenance and adjustments to the product is the responsibility of the customer. (2) Normal wear and tear is not covered under warranty. (3) Rubber/plastic parts and consumables such as blades, clutch and clutch-bell, spark-plugs, nylon line, air-filters, fuel-filters, oil seals etc. are not covered under the warranty.

No Warranty On Electrical Motor / Electrical Parts / Battery Etc.

Incidental / Consequential Loss: KisanKraft Limited or its manufacturers will not be liable for general damages, including bodily injuries, or for incidental or consequential damages including, but not limited to, loss of use, loss of profits, loss of production, expense of substitute equipment or other commercial loss or damage.

Limitation of Liability: This limited warranty is in lieu of all other express warranties, obligations, or liabilities. Any implied warranties, obligations or liabilities, including, but not limited to, any implied warranty of merchantability shall be limited in duration to the applicable warranty period. Any action for breach of any warranty hereunder, including, but not limited to, any implied warranty of merchantability must be brought within the applicable warranty period.

Modifications of Warranty: No agent, representative, dealer, or employee of KisanKraft Limited or any of its manufacturers has the authority to increase or alter the obligations of this warranty.

Assignment / Transfer of warranty: The warranty cannot be assigned and shall not transfer if the product is resold by the first buyer. The above warranties are extended to the first end user (original purchaser), and no warranty is made, nor authorized to be made assignable on resale by the first end user.

What you must do to obtain limited warranty service: To obtain performance of any obligation under this warranty for failure during the applicable warranty period, deliver the defective product, to the nearest Authorized Dealer. KisanKraft Machine Tools Private Limited, its manufacturers and its dealers reserve the right to inspect the claimed defective part(s) to determine if the malfunction is the result of a defect covered by this warranty. Please note that the decision of KisanKraft Machine Tools Pvt Ltd with respect to any warranty claim is final.

Receipt is required for availing warranty services

Jurisdiction: All disputes are subject to Bangalore court's jurisdiction.

Our Products

- ◆Chainsaws◆Brush Cutters and Accessories◆Harvesters◆
- ◆Engines and Water Pumps◆Hand Tools◆Garden Tools◆
- ◆Cultivators and Accessories◆Sprayers and Accessories◆
- ◆Transplanter and Post Hole Digger ◆Milking Machines◆

This warranty is null & void, if you fail to register the warranty with KisanKraft by sending the KisanKraft Copy with dealer's stamp.

KisanKraft Limited (Formerly known as KisanKraft Machine Tools P Ltd.)

🌐: www.kisankraft.com

✉: info@kisankraft.com

☎: +91.80.22178200

Product	Agricultural Portable Sprayer (Power)	KisanKraft Invoice Date	
Brand	KisanKraft	KisanKraft Invoice No.	
Model	☐ KK-P968		
WARRANTY PERIOD	6-MONTHS	FOR THE SPECIFIED PERIOD FROM THE DATE OF SALE OR DELIVERY WHICHEVER IS EARLIER.	
Dealer's Invoice Date		Dealer's Invoice No.	
Buyer's Info (Name, Address, Phone, etc.):		Dealer's Stamp (Address, Phone, TIN, etc.):	
Buyer's Sign		Dealer's Sign	

What is covered: KisanKraft Limited and its manufacturers warrant this product to be free from defects in material or workmanship. All parts defective in material and workmanship are covered.

This warranty will only cover defects arising under normal usage.

This warranty is limited to repair or replacement by KisanKraft Limited or its manufacturers at the premises of Authorized Dealers, of such parts as appear to KisanKraft or its manufacturers, upon inspection, to be defective in material and/or workmanship. KisanKraft or its manufacturers make no warranty with respect to trade accessories not manufactured or sold by them.

What is not covered: The warranty shall become null and void and neither KisanKraft Limited nor any of its manufacturers, nor its authorized dealers assumes any responsibility, if the failure was caused by the following:

- (1) Operation of product with incorrect fuel or lubricants,
- (2) Incorrect usage of machine or misuse,
- (3) Lack of maintenance,
- (4) Negligence,
- (5) Accident or physical damage,
- (6) Repairs made by unauthorized parties and/or with unauthorized parts,
- (7) Improper set up, adjustments, tampering or altered products

Note: The purchase is not contingent upon a product demonstration. The purchaser shall satisfy himself with the product, including any product demonstration or verification of any function, before buying. KisanKraft Limited or its authorized dealers, including online sellers, shall not be liable to give any on-site demonstration after purchase of any of the product.

This warranty is null & void, if you fail to register the warranty with KisanKraft by sending the KisanKraft Copy with dealer's stamp.

KisanKraft Limited (Formerly known as KisanKraft Machine Tools P Ltd.)

🌐: www.kisankraft.com

✉: info@kisankraft.com

☎: +91.80. 22178200

Important: (1) Normal maintenance and adjustments to the product is the responsibility of the customer. (2) Normal wear and tear is not covered under warranty (3) Rubber/plastic parts and consumables such as blades, clutch and clutch-bell, spark-plugs, nylon line, air-filters, fuel-filters, oil seals etc. are not covered under the warranty.

No Warranty On Electrical Motor / Electrical Parts / Battery Etc.

Incidental / Consequential Loss: KisanKraft Limited or its manufacturers will not be liable for general damages, including bodily injuries, or for incidental or consequential damages including, but not limited to, loss of use, loss of profits, loss of production, expense of substitute equipment or other commercial loss or damage.

Limitation of Liability: This limited warranty is in lieu of all other express warranties, obligations, or liabilities. Any implied warranties, obligations or liabilities, including, but not limited to, any implied warranty of merchantability shall be limited in duration to the applicable warranty period. Any action for breach of any warranties hereunder, including, but not limited to, any implied warranty of merchantability must be brought within the applicable warranty period.

Modifications of Warranty: No agent, representative, dealer, or employee of KisanKraft Limited or any of its manufacturers has the authority to increase or alter the obligations of this warranty.

Assignment / Transfer of warranty: The warranty cannot be assigned and shall not transfer if the product is resold by the first buyer. The above warranties are extended to the first end user (original purchaser), and no warranty is made, nor authorized to be made assignable on resale by the first end user.

What you must do to obtain limited warranty service: To obtain performance of any obligation under this warranty for failure during the applicable warranty period, deliver the defective product, to the nearest Authorized Dealer. KisanKraft Machine Tools Private Limited, its manufacturers and its dealers reserve the right to inspect the claimed defective part(s) to determine if the malfunction is the result of a defect covered by this warranty. Please note that the decision of KisanKraft Machine Tools Pvt Ltd with respect to any warranty claim is final.

Receipt is required for availing warranty services

Jurisdiction: All disputes are subject to Bangalore court's jurisdiction.

Our Products	<ul style="list-style-type: none"> ◆Chainsaws◆Brush Cutters and Accessories◆Harvesters◆ ◆Engines and Water Pumps◆Hand Tools◆Garden Tools◆ ◆Cultivators and Accessories◆Sprayers and Accessories◆ ◆Transplanter and Post Hole Digger ◆Milking Machines◆
---------------------	--

This warranty is null & void, if you fail to register the warranty with KisanKraft by sending the KisanKraft Copy with dealer's stamp.

KisanKraft Limited (Formerly known as KisanKraft Machine Tools P Ltd.)

🌐: www.kisankraft.com ✉: info@kisankraft.com ☎: +91.80. 22178200

Product	Agricultural Portable Sprayer (Power)	KisanKraft Invoice Date	
Brand	KisanKraft	KisanKraft Invoice No.	
Model	<input type="checkbox"/> KK-P968		
WARRANTY PERIOD	6-MONTHS	FOR THE SPECIFIED PERIOD FROM THE DATE OF SALE OR DELIVERY WHICHEVER IS EARLIER.	
Dealer's Invoice Date		Dealer's Invoice No.	
Buyer's Info (Name, Address, Phone, etc.):		Dealer's Stamp (Address, Phone, TIN, etc.):	
Buyer's Sign		Dealer's Sign	

What is covered: KisanKraft Limited and its manufacturers warrant this product to be free from defects in material or workmanship. All parts defective in material and workmanship are covered.

This warranty will only cover defects arising under normal usage.

This warranty is limited to repair or replacement by KisanKraft Limited or its manufacturers at the premises of Authorized Dealers, of such parts as appear to KisanKraft or its manufacturers, upon inspection, to be defective in material and/or workmanship. KisanKraft or its manufacturers make no warranty with respect to trade accessories not manufactured or sold by them.

What is not covered: The warranty shall become null and void and neither KisanKraft Limited nor any of its manufacturers, nor its authorized dealers assumes any responsibility, if the failure was caused by the following:

- (1) Operation of product with incorrect fuel or lubricants,
- (2) Incorrect usage of machine or misuse,
- (3) Lack of maintenance,
- (4) Negligence,
- (5) Accident or physical damage,
- (6) Repairs made by unauthorized parties and/or with unauthorized parts,
- (7) Improper set up, adjustments, tampering or altered products

Note: The purchase is not contingent upon a product demonstration. The purchaser shall satisfy himself with the product, including any product demonstration or verification of any function, before buying. KisanKraft Limited or its authorized dealers, including online sellers, shall not be liable to give any on-site demonstration after purchase of any of the product.

This warranty is null & void, if you fail to register the warranty with KisanKraft by sending the KisanKraft Copy with dealer's stamp.

KisanKraft Limited (Formerly known as KisanKraft Machine Tools P Ltd.)

🌐: www.kisankraft.com ✉: info@kisankraft.com ☎: +91.80. 22178200



Wide Range of Products for Every Need



For more information give **MISSED CALL: 07676065555**



Many of our products have BIS: ISI certification.



Operation Manual

KK-P968



KisanKraft Limited

(Formerly known as KisanKraft Machine Tools P Ltd.)

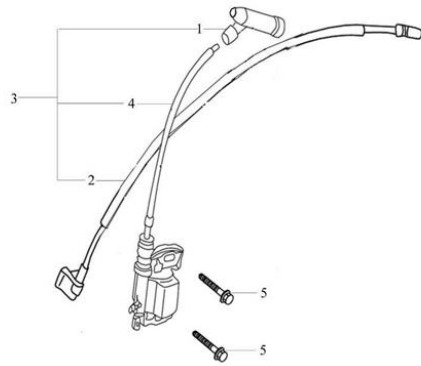
Sri Huchhanna Tower, #4, 1st Main, 7-A Cross, Maruthi Layout, Dasarahalli,
HAF Post, Hebbal, Bangalore 560024, Karnataka, INDIA

- ◆ Bangalore (HO) ◆ Ahmedabad ◆ Bhopal ◆ Bhubaneswar ◆ Coimbatore ◆
- ◆ Guwahati ◆ Shimla ◆ Hubli ◆ Hyderabad ◆ Jaipur ◆
- ◆ Karnal ◆ Kolkata ◆ Lucknow ◆ Pune ◆ Raipur ◆

KisanKraft has a large range of products to serve the farmers. A list of our products is given below:

<p>Brush Cutters and Accessories</p> <ul style="list-style-type: none"> Brush Cutter/Power Weeder Backpack Brush Cutter Tea Pruner Pole pruner with Engine Reaper Attachment Blades-Circular Blades (2 & 3 points) Baffle Nylon Rope Tap & Go <p>Chainsaws</p> <ul style="list-style-type: none"> Petrol Chainsaw Electric Chainsaw Chain Sharpening Machine <p>Engines and Water Pumps</p> <ul style="list-style-type: none"> Engine –Diesel-(Horizontal) Engine –Diesel-(Vertical) Engine-Kerosene Water Pump with Petrol Engine Water Pump with Kerosene Engine Water Pump with Diesel Engine <p>Hand Tools</p> <ul style="list-style-type: none"> Secateurs Folding Saw Garden Rake Garden Shovel Hedge Shear Lopper Telescopic Hedge Shear Telescopic Lopping Shear Tree Pruner Telescopic Steel Pipe & Fruit Picker Bag Sheep Shear <p>Garden Tools</p> <ul style="list-style-type: none"> Electric Pressure Washer Hedge Trimmer Lawn Mower (Electric, Petrol & Manual) Leaf Blower 	<p>Cultivators and Accessories</p> <ul style="list-style-type: none"> Petrol and Diesel <p>Sprayers and Accessories</p> <ul style="list-style-type: none"> Battery Sprayer Portable Power Sprayer Trolley Sprayer Manual Knapsack Sprayer Manual Pressure Sprayer Rose Cans Hose Crimping Machine HTP Sprayer HTP Delivery Hose HTP Hose Reel HTP Stand HTP Gun / Lance(Brass Rod) Knapsack Power Sprayer Mister / Duster / Granuel Spreader HTP Sprayer Set with Diesel Engine HTP Sprayer Set with Kerosene Engine Fogging Machine <p>Milking Machine</p> <ul style="list-style-type: none"> Wood Shredder Fodder Ensiling Chaff Cutter Fodder Grinder Chaff Cutter Fodder Mini Chaff Cutter <p>Harvester</p> <ul style="list-style-type: none"> Maize Sheller Maize Sheller + Dehusker Maize Combine Harvester Onion Digger Carlotti Italy Tea Leaf Harvester Sugarcane Combine Harvester Sugarcane Leaf Stripper <p>Transplanter and Post Hole Digger</p> <ul style="list-style-type: none"> Paddy Transplanter (2 & 8 Rows) Transplanter-Vegetable & Tobacco Post Hole Digger(4" to 14" Augers)
---	---

IGNITION COIL



Sl. No.	Part No.	Description
1	13-1	Cap, spark plug
2	13-2	Cable, engine stop
3	13-3	Ignition coil sub-Assembly
4	13-4	Ignition coil
5	13-5	Bolt M6x25

CONTENTS

BEFORE GETTING STARTED 8

SAFETY INSTRUCTIONS 8

TECHNICAL SPECIFICATIONS..... 9

OPERATING INSTRUCTIONS 10

TROUBLESHOOTING GUIDE..... 11

MAINTENANCE AND STORAGE..... 11

PARTS DIAGRAM & LIST - SPRAYER 12

OPERATION MANUAL-ENGINE KK-GE-100 15

TECHNICAL SPECIFICATIONS-ENGINE 26

PARTS DIAGRAM & PARTS LIST - ENGINE..... 28

Product	Agricultural Portable Sprayer (Power)	KisanKraft Invoice Date	
Brand	KisanKraft	KisanKraft Invoice No.	
Model	☐ KK-P968		
WARRANTY PERIOD	6-MONTHS	FOR THE SPECIFIED PERIOD FROM THE DATE OF SALE OR DELIVERY WHICHEVER IS EARLIER.	
Dealer's Invoice Date		Dealer's Invoice No.	
Buyer's Info (Name, Address, Phone, etc.):		Dealer's Stamp (Address, Phone, TIN, etc.):	
Buyer's Sign		Dealer's Sign	

What is covered: KisanKraft Limited and its manufacturers warrant this product to be free from defects in material or workmanship. All parts defective in material and workmanship are covered.

This warranty will only cover defects arising under normal usage.

This warranty is limited to repair or replacement by KisanKraft Limited or its manufacturers at the premises of Authorized Dealers, of such parts as appear to KisanKraft or its manufacturers, upon inspection, to be defective in material and/or workmanship. KisanKraft or its manufacturers make no warranty with respect to trade accessories not manufactured or sold by them.

What is not covered: The warranty shall become null and void and neither KisanKraft Limited nor any of its manufacturers, nor its authorized dealers assumes any responsibility, if the failure was caused by the following:

(1) Operation of product with incorrect fuel or lubricants, (2) Incorrect usage of machine or misuse, (3) Lack of maintenance, (4) Negligence, (5) Accident or physical damage, (6) Repairs made by unauthorized parties and/or with unauthorized parts, (7) Improper set up, adjustments, tampering or altered products.

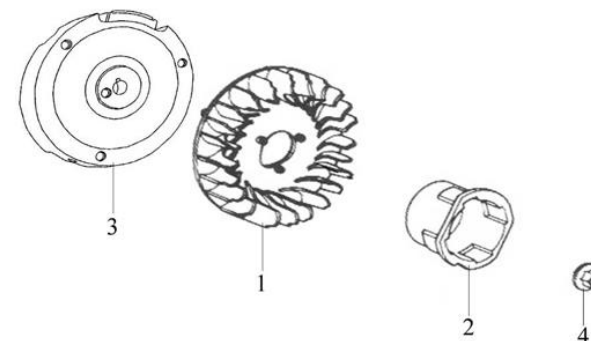
Note: The purchase is not contingent upon a product demonstration. The purchaser shall satisfy himself with the product, including any product demonstration or verification of any function, before buying. KisanKraft Limited or its authorized dealers, including online sellers, shall not be liable to give any on-site demonstration after purchase of any of the product.

This warranty is null & void, if you fail to register the warranty with KisanKraft by sending the KisanKraft Copy with dealer's stamp.

KisanKraft Limited (Formerly known as KisanKraft Machine Tools P Ltd.)

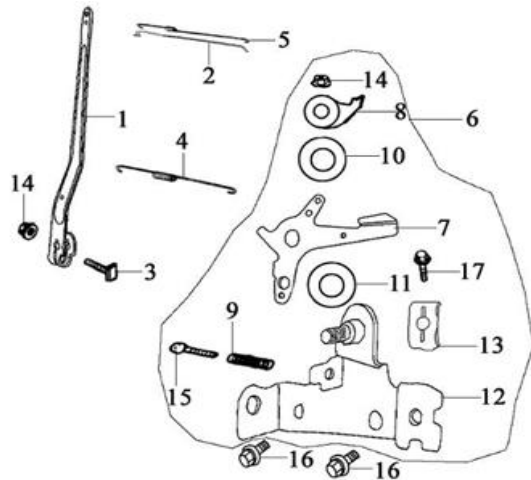
SI No.	Part No.	Description
14	11-14	Nut M6
15	11-15	Bolt M5x25
16	11-16	Bolt M6x14
17	11-17	Bolt M5x16

FLYWHEEL



SI No.	Part No.	Description
1	12-1	Fan, flywheel
2	12-2	Starter Sleeve /flange
3	12-3	Flywheel
4	12-4	Nut M12x1.25

GOVERNING CONTROL SYSTEM



SI No.	Part No.	Description
1	11-1	Governor arm
2	11-2	Pull-rod, governor
3	11-3	Lock bolt
4	11-4	Return spring
5	11-5	Assistant spring, governor
6	11-6	Mount, governor
7	11-7	Handle
8	11-8	Positioning plate
9	11-9	Spring, governor
10	11-10	Wave washer
11	11-11	Washer
12	11-12	Supporting plate unit
13	11-13	Pressure plate

Important: (1) Normal maintenance and adjustments to the product is the responsibility of the customer. (2) Normal wear and tear is not covered under warranty. (3) Rubber/plastic parts and consumables such as blades, clutch and clutch-bell, spark-plugs, nylon line, air-filters, fuel-filters, oil seals etc. are not covered under the warranty.

No Warranty On Electrical Motor / Electrical Parts / Battery Etc.

Incidental / Consequential Loss: KisanKraft Limited or its manufacturers will not be liable for general damages, including bodily injuries, or for incidental or consequential damages including, but not limited to, loss of use, loss of profits, loss of production, expense of substitute equipment or other commercial loss or damage.

Limitation of Liability: This limited warranty is in lieu of all other express warranties, obligations, or liabilities. Any implied warranties, obligations or liabilities, including, but not limited to, any implied warranty of merchantability shall be limited in duration to the applicable warranty period. Any action for breach of any warranty hereunder, including, but not limited to, any implied warranty of merchantability must be brought within the applicable warranty period.

Modifications of Warranty: No agent, representative, dealer, or employee of KisanKraft Limited or any of its manufacturers has the authority to increase or alter the obligations of this warranty.

Assignment / Transfer of warranty: The warranty cannot be assigned and shall not transfer if the product is resold by the first buyer. The above warranties are extended to the first end user (original purchaser), and no warranty is made, nor authorized to be made assignable on resale by the first end user.

What you must do to obtain limited warranty service: To obtain performance of any obligation under this warranty for failure during the applicable warranty period, deliver the defective product, to the nearest Authorized Dealer. KisanKraft Machine Tools Private Limited, its manufacturers and its dealers reserve the right to inspect the claimed defective part(s) to determine if the malfunction is the result of a defect covered by this warranty. Please note that the decision of KisanKraft Machine Tools Pvt Ltd with respect to any warranty claim is final.

Receipt is required for availing warranty services

Jurisdiction: All disputes are subject to Bangalore court's jurisdiction.

Our Products

- ◆Chainsaws◆Brush Cutters and Accessories◆Harvesters◆
- ◆Engines and Water Pumps◆Hand Tools◆Garden Tools◆
- ◆Cultivators and Accessories◆Sprayers and Accessories◆
- ◆Transplanter and Post Hole Digger ◆Milking Machines◆

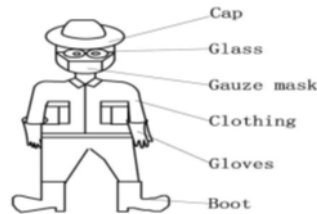
BEFORE GETTING STARTED

Please read and follow the instructions in this manual before using the machine. The user should be familiar with the safety notices, machine performance, and maintenance, etc. The operation manual will be used later in case of any repair, accessories replacement, and accessories procurement, so preserve it carefully.

SAFETY INSTRUCTIONS

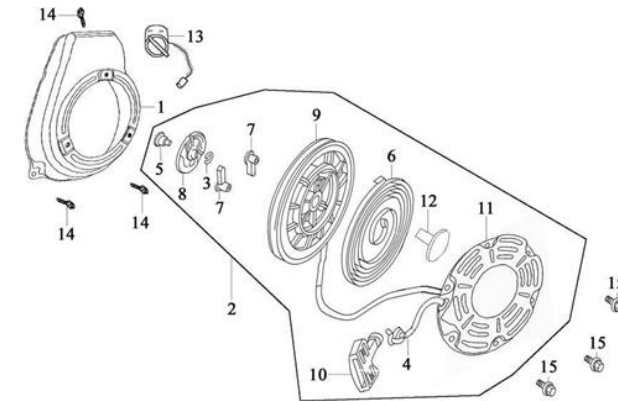
1. Using this machine with extra high pressure is prohibited ($\leq 35 \text{kgf/cm}^2$);
2. The rotary parts should have safety protective device;
3. Protective Clothing:

- Wear flange cap.
- Wear dirt/fog-proof glasses.
- Wear gauze mask.
- Wear long gloves.
- Wear coat guarding against poisons.
- Wear boots.



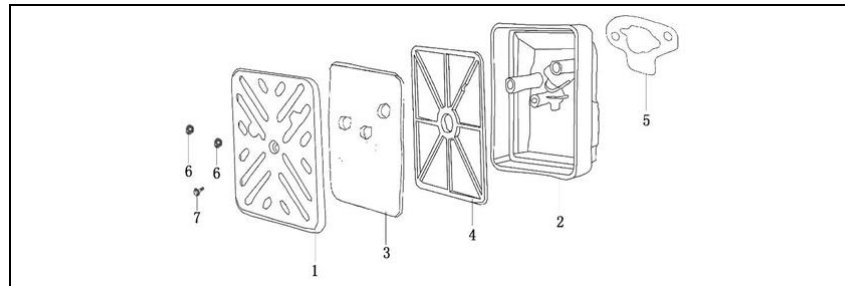
4. Spraying towards personnel and working at the downwind position are prohibited;
5. Running the machine without water or lubricating oil is prohibited;
6. Using special working solutions as strong acid, strong alkali, etc. is prohibited
7. Following personnel should not use the machine:
 - Mentally challenged.
 - Drunk.
 - Under the age of 18 or older people.
 - Person with no knowledge of the machine.
 - Tired person or patient and others who cannot operate the machine normally.
 - A person who has just exercised strenuously or has not slept enough. Women feeding breast milk to the baby or is pregnant.
8. Spraying
 - It is fine to carry out an operation during cool weather with little wind. For example, early in the mornings or in the late afternoons as this can reduce the evaporation and drift of chemicals and improve the protective effect.
 - The operator should move windward.
 - If your mouth or eyes are spattered with chemicals, wash them with clean water and then visit a doctor.
 - If the operator has a headache or dizziness, should stop working at once and consult a doctor immediately.

RECOIL STARTER



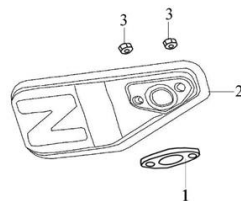
SI No.	Part No.	Description
1	10-1	Fan Cover
2	10-2	Recoil starter Assembly
3	10-3	Friction spring
4	10-4	Rope
5	10-5	Shoulder screw
6	10-6	Recoil Spring/Spiral spring
7	10-7	Ratchet
8	10-8	Guide Plate
9	10-9	Rope Reel
10	10-10	Starter Handle
11	10-11	Starter Cover
12	10-12	N/A
13	10-13	Engine switch
14	10-14	Bolt M6x10
15	10-15	Bolt M6x14
16	10-16	Ratchet Spring

AIR CLEANER ASSEMBLY



SI No.	Part No.	Description
1	8-1	Cover, air cleaner
2	8-2	Housing, air cleaner
3	8-3	Foam, air cleaner
4	8-4	Bracket, air cleaner
5	8-5	Gasket, air cleaner
6	8-6	Nut M5
7	8-7	Self-tapping screw ST4x10

MUFFLER



SI No.	Part No.	Description
1	9-1	Gasket, exhaust port
2	9-2	Exhaust muffler
3	9-3	Nut M6
4	9-4	Muffler Protector (Wire Net)

- For the operator's safety, misting/dusting must be carried out strictly according to the instruction of the chemicals and agricultural requirements.
- Spray over, according to pesticide manual to clean out any residual spray mixture in chemical tank.
- After spraying always wash your hands and face thoroughly

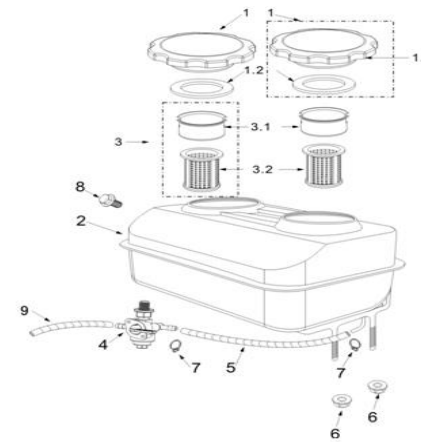
TECHNICAL SPECIFICATIONS

Name	Specification
HP	1.5 hp
CC	98 cc
kW (hp)	1.12 kW (1.5 hp)
Engine Type	4 – stroke, Air Cooled
Speed /Output Pressure	3600 RPM/ 2-3.5 mpa
Fuel Used	Petrol
Fuel Tank Capacity	1.3 L
Weight of the Machine	10 kg
Fuel Consumption	800 ml/hr

OPERATING INSTRUCTIONS

1. Add gasoline into the fuel tank;
2. Add gear oil up to 1/2 of oil gauge plug;
3. The connectors of each rubber pipe and high pressure pipe must be locked tightly
4. Before starting the motor, open the jet gun and ball cock, and loosen the adjusting screw.
5. Start the engine, keeping it at appropriate velocity; wait till all the water has ejected out of the sprayer gun, close the sprayer gun or ball cock, and adjust the adjusting screw to let the pressure reach the working pressure.
6. Turn on the ball cock and jet gun and the start spraying. During this process, you may adjust the adjusting screw to maintain the required pressure, and lock tightly the fly nut.
7. After spraying , operate the sprayer with clean water for 2~3 minutes to clean the residual interior chemicals;
8. Firstly dismantle the suction hose, wait until all the water flows out of the jet gun or the overflow hose, stop the machine and dismantle over flow hose, high pressure pipe, and loosen the adjusting screw.

FUEL TANK ASSEMBLY



SI No.	Part No.	Description
1	7-1	Fuel filler cap sub-Assembly
1.1	7-1.1	Fuel filler cap
1.2	7-1.2	Packing ring
2	7-2	Fuel tank
3	7-3	Fuel Filter(Upper)
4	7-4	Fuel Cock
5	7-5	Fuel Tube 200mm
6	7-6	Nut M6
7	7-7	Pipe clamp
8	7-8	Bolt M4x6
9	7-9	Fuel Tube 130mm

S/N	Part No.	Description
1	6-1	Gasket, intake port
2	6-2	Connecting block
3	6-3	Gasket, carburetor
4	6-4	Carburetor Assembly
5	6-5	Choke lever
6	6-6	Float chamber sub-Assembly
7	6-7	Float chamber
8	6-8	Screw
9	6-9	Seal, screw
12	6-12	Gasket, float chamber
13	6-13	Float sub-Assembly
14	6-14	Needle valve
15	6-15	Mixture chamber body
16	6-16	Main nozzle
17	6-17	Main jet
18	6-18	Throttle unit
19	6-19	Throttle lever
20	6-20	Airproof washer
21	6-21	Washer
22	6-22	Cover
24	6-24	Idle adjusting screw
25	6-25	Screw M4x6
26	6-26	Tubing
27	6-27	Pipe clamp
28	6-28	Oil switch
29	6-29	A mounting block
30	6-30	Bolt M6x14
31	6-31	Nut M6

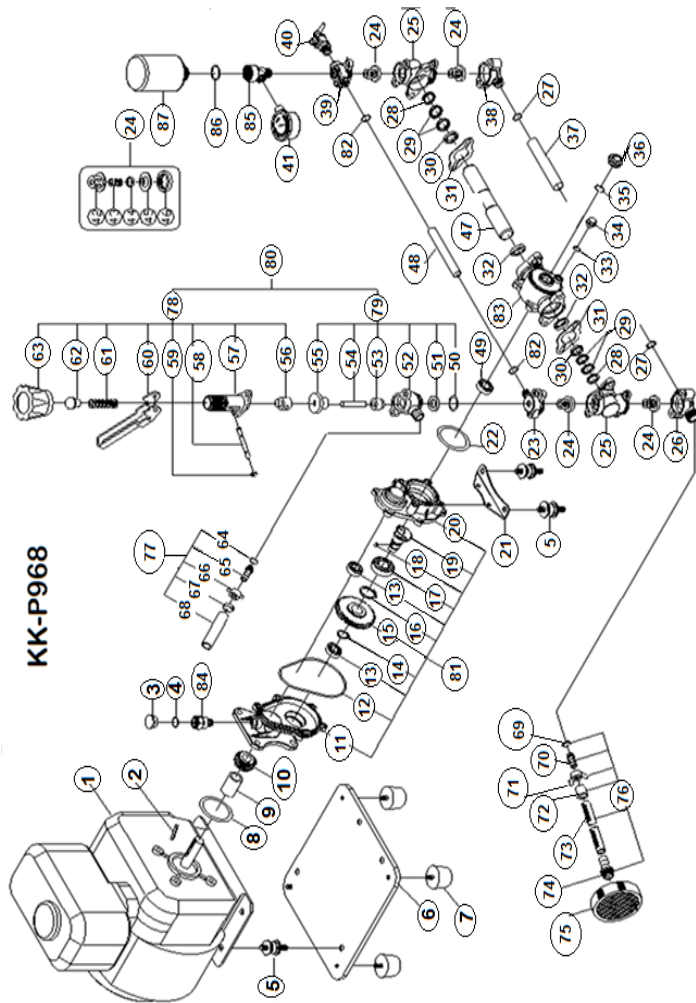
TROUBLESHOOTING GUIDE

Trouble	Probable Cause	Solution
Can't supply water, Unstable pressure	Strainer Assembly blocked	Clean Strainer Assembly
	Suction Hose is leaking	Lock tightly Wing Net or replace Packing
	Redundant air inside pump	Exhaust redundant air from the pump
	Valve damaged or blocked	Eliminate impurities or replace Valve Seal
Cylinder leaked	Grand too loose	Add spare washer (After stopping the machine)
	V-packing damaged	Replace the V-packing
Pressure shortage	Improper pressure adjustment	Adjust adjusting screw to proper pressure
	High pressure pipe is leaking	Check, repair, or replace high pressure pipe
	Valve or valve seat damaged	Replace valve or valve seat
Oil leakage	Oil seal damaged, unlocked tightly	Lock tightly or replace relevant oil seal
Temperature Too high	No lubricating oil or is too dirty	Replace with clean lubricating oil
	Pressure or velocity too high	Adjust to proper pressure or velocity

MAINTENANCE AND STORAGE

1. Replace the oil after first 40 hours, and afterwards replace it once in every 70 hours.
2. Each and every time once the work is finished operate it with clean water for 2~3 minutes to eliminate the residual chemical and keep all the parts clean.
3. For long term storage, clean and wipe the spraying machine dry and place it in a cool and dry place.

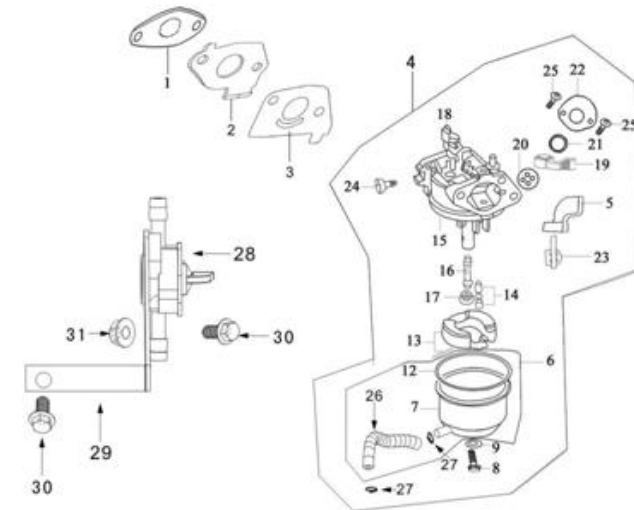
PARTS DIAGRAM & LIST - SPRAYER



COMBINATION OF CAMSHAFT & VALVE

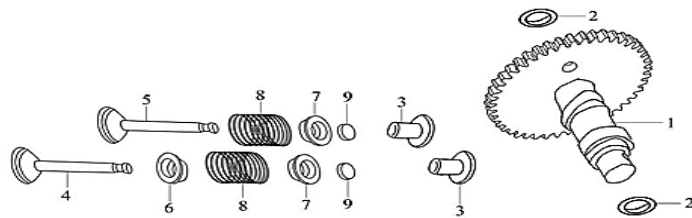
SI No.	Part No.	Description
1	5-1	Camshaft
2	5-2	Washer, camshaft
3	5-3	Tappet
4	5-4	Intake valve
5	5-5	Exhaust valve
6	5-6	Oil seal, valve stem
7	5-7	Spring seat, valve
8	5-8	Valve spring
9	5-9	Cap (Valve)

CARBURETOR ASSEMBLY



SI No.	Part No.	Description
1	4-1	Crankshaft sub-Assembly
2	4-2	Crankshaft
3	4-3	Woodruff key
4	4-4	Connecting rod
5	4-5	Shank
6	4-6	Cap connecting rod
7	4-7	Bolt M5x24
8	4-8	Piston
9	4-9	Piston pin
10	4-10	Circlip, piston pin
11	4-11	Piston ring set
12	4-12	N/A
13	4-13	
14	4-14	
15	4-15	
16	4-16	
17	4-17	Timing driving gear
18	4-18	Bearing 6203
19	4-19	Key(pulley) 5x5x35

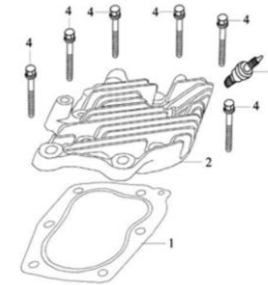
COMBINATION OF CAMSHAFT & VALVE



Part No	Part Name	Part No	Part Name
B-01	N/A	B-45	N/A
B-02	Key5X5X15	B-46	N/A
B-03	Oil Plug	B-47	Plunger
B-04	(O-)Ring 18x2.4 (Oil Plug)	B-48	Stainless Steel Pipe (UPPER)
B-05	Anti-vibration feet(/JOINT)	B-49	Bearing (6201)
B-06	Base Plate	B-50	O-Ring17x2(-Valve Seat)
B-07	Anti-vibration feet(/BEDDING-FRAME)	B-51	Valve Seat
B-08	O-Ring 53x1.5	B-52	Body Overflow
B-09	Shaft Sleeve	B-53	Valve (-Overflow)
B-10	Small Gear	B-54	Valve Bar
B-11	Gear Box Casing	B-55	Box Water Seal
B-12	O-Ring 90x1.9 (Gear Box Casing)	B-56	Under Metal (/SPRING SEAT)
B-13	Bearing (6002)	B-57	Spring Box
B-14	Outside circlip (-SMALL)	B-58	Pin
B-15	Big Gear	B-59	Fastener (/E-RING)
B-16	Outside circlip (-BIG)	B-60	Lever (/ADJUSTER)
B-17	Bearing (6204)	B-61	Spring
B-18	Key5X5X8	B-62	Upper Metal
B-19	Eccentric Shaft	B-63	Adjusting Screw
B-20	Gear Box Cover	B-64	O-Ring13.5x2(/PACKING OVERFLOW)
B-21	Support plate	B-65	Core Coupling (/JOINT OVER FLOW)
B-22	O-Ring 45x19 (Gear Box Cover)	B-66	Wing Net (-OVER FLOW)
B-23	Discharge Metal(brass)	B-67	Brass Cup(/CLIP 1/4")
B-24	Valve Assy	B-68	N/A

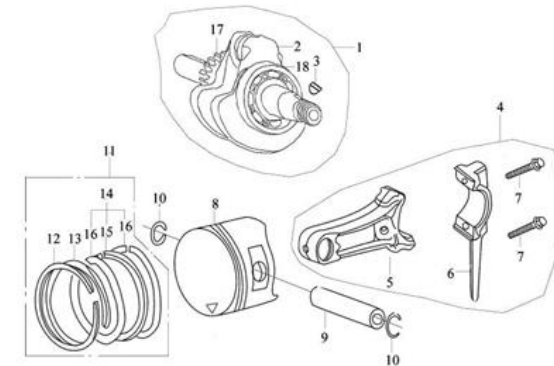
Part No	Part Name	Part No	Part Name
B-25	Cylinder	B-69	Packing 17x13 (-SUCTION)
B-26	Suction Metal(brass)	B-70	Core Coupling (/JOINT SUCTION)
B-27	O-Ring 14x2.2 (Suction Metal)	B-71	Wing Net (-SUCTION)
B-28	V-Packing Seat	B-72	Brass Cup (/CRIMPING CLIP 1/2")
B-29	V-Packing	B-73	
B-30	Grand	B-74	Core Strainer (-JOINT)
B-31	Packing Stable Plate	B-75	Strainer Assy
B-32	Oil Seal, Plunger (22X33X7)	B-76	Suction Hose Assy
B-33	O-Ring 10x2 (SCREW OIL DRAIN)	B-77	Overflow Hose Assy
B-34	Screw (OIL DRAIN)	B-78	Spring Box Assy
B-35	O-Ring 17x2 (Oil Gauge)	B-79	N/A
B-36	Oil Gauge Plug	B-80	N/A
B-37	Stainless Steel Pipe(LOWER)	B-81	N/A
B-38	Suction Metal (DELIVERY Side)	B-82	O-Ring 12x2 (Discharge Metal)
B-39	Discharge Metal (DELIVERY Side)	B-83	Plunger Case
B-40	Ball Cock	B-84	Oil Cup
B-41	Pressure Gauge	B-85	Air Chamber Joint
B-42	Valve Seal	B-86	O-Ring21x2.5 (Air Chamber)
B-43	N/A	B-87	Air Chamber

CYLINDER COVER



SI No.	Part No.	Description
1	3-1	Gasket, cylinder head
2	3-2	Cylinder cover
3	3-3	Spark plug
4	3-4	Bolt M6x35

CRANKSHAFT, PISTON & CONNECTING ROD



SI No	Part No.	Description
1	2-1	Set pin $\phi 8 \times 14$
2	2-2	Gasket, crankcase
3	2-3	Drain plug
4	2-4	Washer -Drain Plug
5	2-5	Crankcase cover
6	2-6	Oil seal(17×30×6), crankshaft
7	2-7	Dipstick sub-Assembly
8	2-8	OIL Dipstick
9	2-9	Seal, dipstick
10	2-10	Oil plug sub-Assembly
11	2-11	Oil plug
12	2-12	Seal, oil plug
13	2-13	Driven gear sub-Assembly, governor
14	2-14	Driven gear, governor
15	2-15	Sliding sleeve
16	2-16	Flyweight
17	2-17	Governing shaft
18	2-18	Pin, flyweight
19	2-19	Snap ring
20	2-20	Washer, driven gear
21	2-21	Bearing 6203
22	2-22	Bolt M6×29

**OPERATION MANUAL-ENGINE KK-PE4-103
(PETROL)**

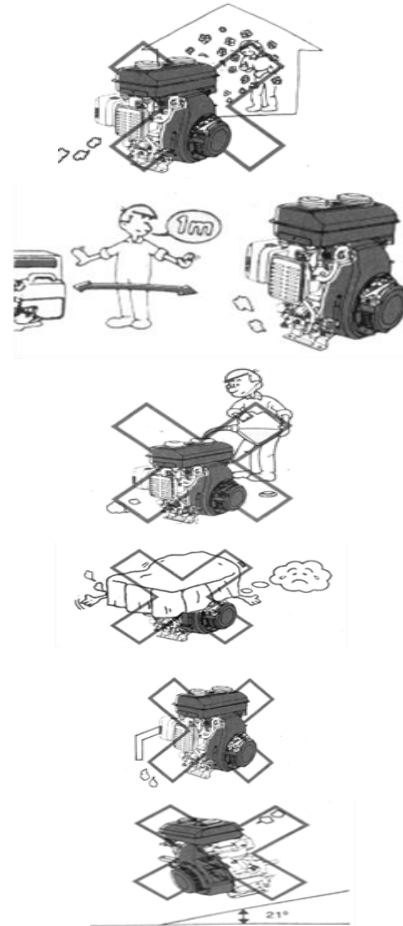


BEFORE GETTING STARTED

Thank you for your purchase and use of our products. In order to avoid accidents or injury, **please read this manual carefully** before using the machine. After reading, preserve it for further reference.

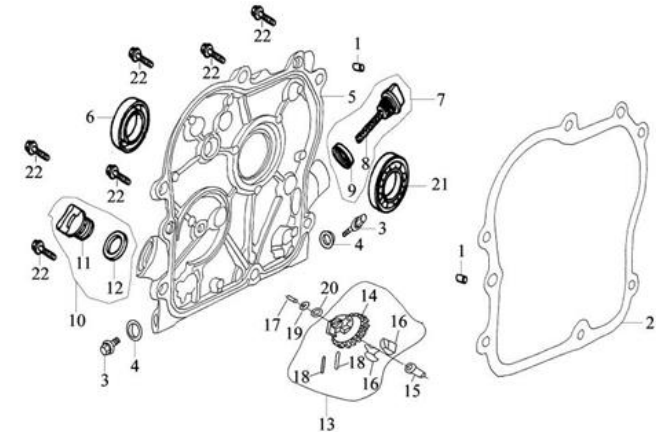
SAFETY INSTRUCTIONS

1. Please do not use this engine inside an enclosed area. Ensure adequate ventilation while Engine is in operation.
CAUTION: Exhaust contains POISONOUS Carbon Mono Oxide gas
2. To prevent fire hazard, please keep the Engine in operation at least 1-meter (3 feet) away from Combustible or Inflammable materials, buildings and equipment.
3. When refueling you must STOP the Engine. Please do not smoke near Engine. Wipe the spilled fuel after refueling.
CAUTION: Spilled fuel is a fire hazard.
4. Do NOT cover the Engine when in operation!
5. Do NOT connect any pipe to exhaust muffler!
6. Do NOT tilt the Engine more than 21 degrees.

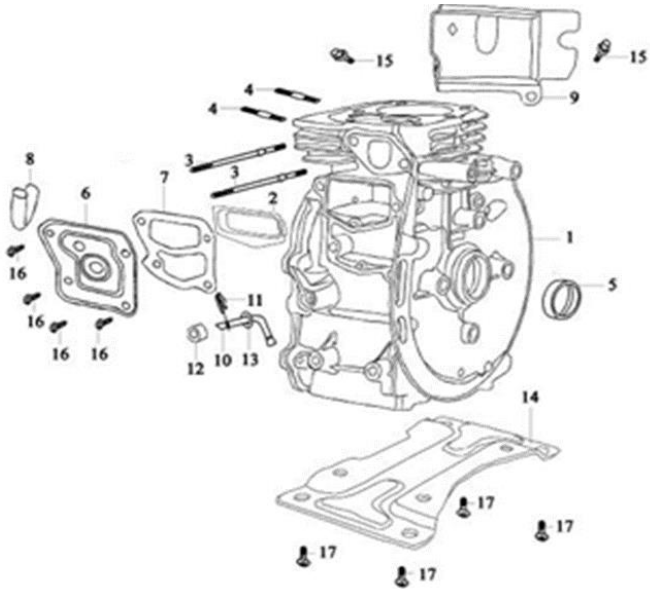


SI No	Part No.	Description
10	1-10	Sway bar
11	1-11	Keeper, sway bar
12	1-12	Oil seal, sway bar
13	1-13	Washer, sway bar
14	1-14	Bottom plate
15	1-15	Bolt M6 × 14
16	1-16	Bolt M5 × 10
17	1-17	Bolt M8 × 14
18	1-18	Oil Sensor

CRANKCASE COVER ASSEMBLY



**PARTS DIAGRAM & PARTS LIST-ENGINE
CRANKCASE ASSEMBLY**



SI No	Part No.	Description
1	1-1	Crankcase
2	1-2	Valve chamber clapboard sub-Assembly
3	1-3	Stud M5×118
4	1-4	Stud M6×52
5	1-5	Oil seal(17×30×6), crankshaft
6	1-6	Cover, oil filter
7	1-7	Gasket-Cover Oil Filter
8	1-8	Return pipe
9	1-9	Flow guard, lower

ENGINE COMPONENTS

<p>KK-PE4-103</p> <ol style="list-style-type: none"> 1. Recoil Starter 2. Engine Switch 3. Fuel Tank 4. Kerosene Tank Cap 5. Petrol Tank Cap 6. Spark Plug 7. Oil Alert Lamp 8. PTO Shaft 9. Engine Oil Filter Cap 10. Engine Oil Drain Bolt 11. Air Cleaner 12. Choke 13. Muffler 14. Fuel Cock 15. Throttle Weaver 16. Drain Cock 	

OPERATION

Pre-Operation Checks

Oil Level:

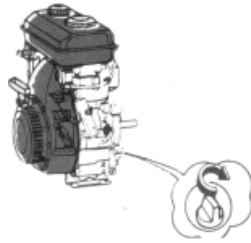
Please check the Engine Oil Level by putting the engine on a flat surface



If the oil level looks low, please check the Oil Level.
Add oil to the recommended level



Remember to tighten the Oil cap!



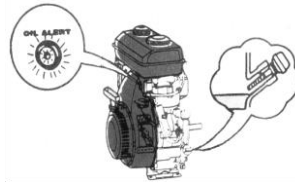
Recommended Engine Oil

If the OIL level in crankcase falls below a safe limit, then Oil Alert level system will automatically turn off the Engine.

NOTE: The Engine will not start if the Oil Alert Level System has turned off the Engine.

You will need to fill OIL to the recommended level, before you can restart the Engine.

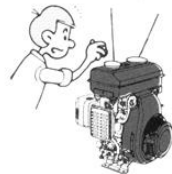
SAE 10W-40 or SAE 20W-40
API Classification: SF Minimum



PETROL
KEROSENE

Fuel Level:

Check the fuel level before starting the Engine.



Add fuel, if the level is low
Fill fuel to the shoulder of fuel filter.

CAUTION:

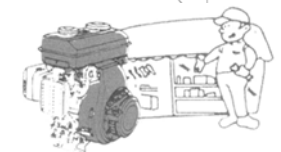
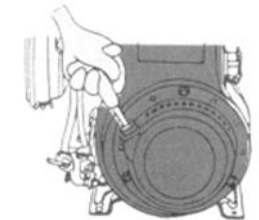
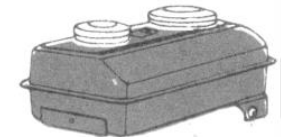
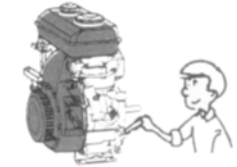
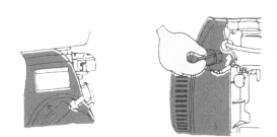
- (1) Do not put Kerosene in Petrol tank, otherwise Engine will be very hard to start.
- (2) Do not put Petrol with Oil-mixed in it.
- (3) Do not put dirty, contaminated fuel



TROUBLE SHOOTING

The engine does not start:

1. Is the Engine SWITCHED – OFF?
2. Check Engine OIL level. Is it low?
3. Check both fuel levels
4. Is the fuel reaching the carburetor?
5. Is there good spark in the Spark Plug?
6. If you are still not able to start it, please take the engine to the authorized dealer.

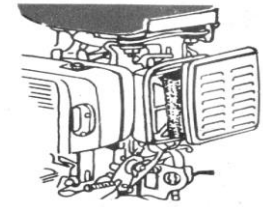


TECHNICAL SPECIFICATIONS-ENGINE

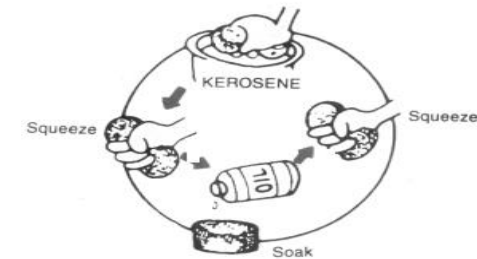
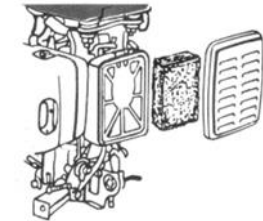
Name	Specification
Model	KK-PE4-103
Engine Type	4-Stroke, Air-cooled
Displacement	98 cc
Bore x Stroke	52 x 46 mm
Compression Ratio	4.8 : 1
Fuel	Petrol
Rated Power	1.5 HP @ 3600 RPM
Max Torque	0.4 Kg.m./3000 RPM
Ignition System	Non-contact TCI
Ignition Timing	20° BTDC
Air Cleaner	Semi-dry, oil bath, dual, double silent and cyclone type
Petrol Tank	1.3 L
Lube Oil Tank	0.3 L
PTO Shaft	Keyway and internal
PTO Shaft Rotation	Counter clockwise from drive's end
Dry Weight	10.5 Kg
Dimensions	257*263*340 mm

Air Filter:

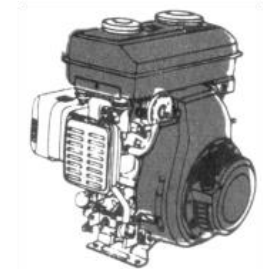
Open Air-cleaner cover and remove the air cleaner element.



Check for dust/dirt in the air filter. If it is dirty you should clean it as shown below.

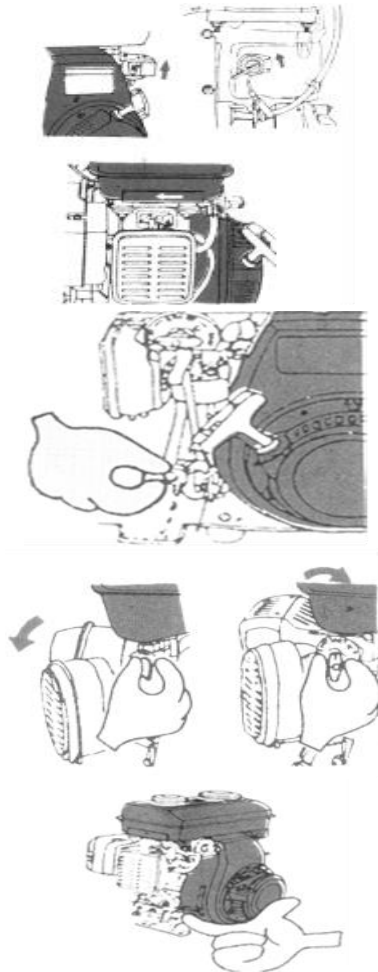


Clean air filter element and refit it in the Air-filter of the engine.

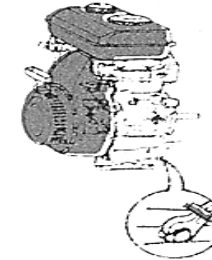


Starting the Engine (COLD START):

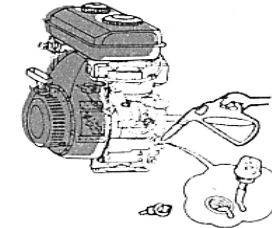
1. Turn the Engine switch to ON position
2. Put the choke in the shown position.
3. Turn the Drain Cock to ON position and drain the Kerosene from the carburetor.
4. Turn the Drain Cock to OFF position after you have drained the Kerosene.
5. Return the Kerosene to the Kerosene Tank.
6. Turn the Fuel Cock to START / ON position
7. Increase the throttle (accelerator) level slightly
8. Make sure that there is no (minimum) load attached to the Engine



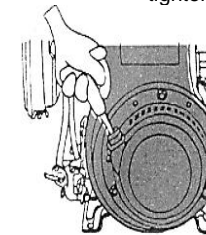
3. Remove the Oil Filter cap



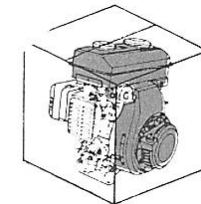
4. Remove the drain bolt and drain the oil



5. Close the oil drain bolt and tighten it



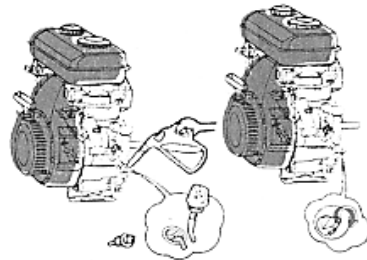
6. Fill new recommended oil to the max level



7. Pull the recoil starter slowly until resistance is left

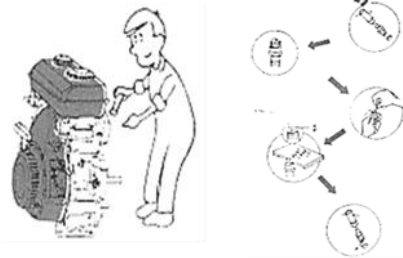
8. Pack it in a closed box and store it.

1. Tighten the drain bolt.
2. Fill the new Recommended Oil to the maximum level (neck of the oil filler)
3. Tighten the Oil Filler cap.



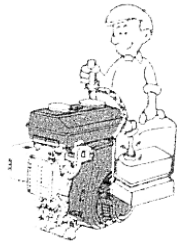
Spark Plug:

1. Remove the Spark Plug
2. Clean the carbon deposits
3. Measure the gap – it should be 0.6-0.7 mm
4. If necessary, replace the spark plug

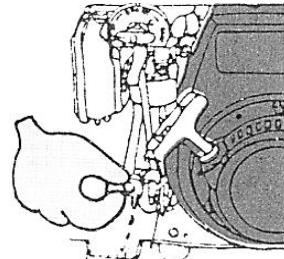
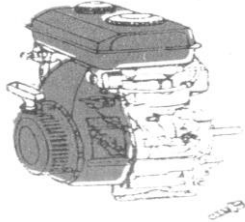


Note: Always use genuine spare parts only.

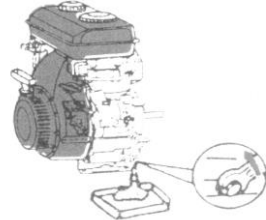
STORAGE



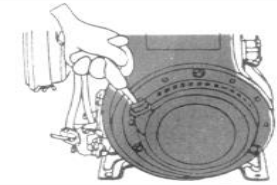
1. Drain the fuel from 2 fuel tanks



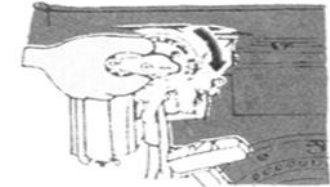
2. Drain fuel from Carburetor



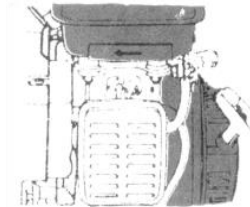
9. Pull the starter grip, until you feel the resistance
10. Then pull the rope fast
11. Do not leave the rope. Do not allow rope to snap back.
12. Return the rope slowly, by hand, to the recoil starter



13. Turn the fuel cock to RUN position.

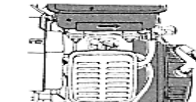


14. Close the choke as indicated on the Engine.

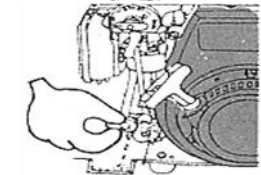


Starting the Engine (HOT START):

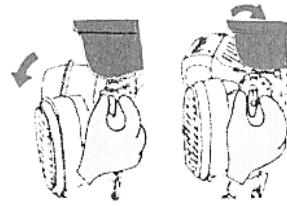
1. Turn the Engine switch to ON position
2. Close the choke as indicated on the Engine



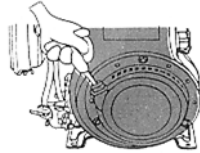
3. Raise the throttle lever slightly
4. Make sure that there is no (minimum) load attached to the Engine.



5. Turn the Fuel Cock to RUN / ON position.



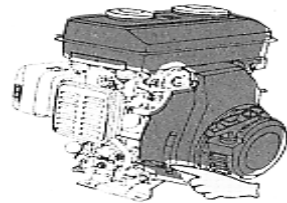
6. Pull the starter grip, until you feel the resistance
7. Then pull the rope fast.
8. Do not leave the rope. Do not allow the rope to snap back.



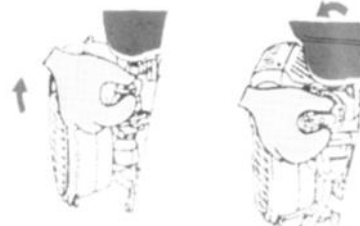
Return the rope slowly, by hand, to the recoil starter

Stopping the Engine:

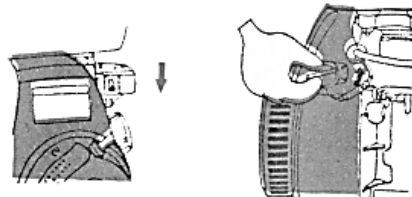
1. Move the throttle (accelerator) lever fully down.



2. Turn the Fuel Cock to STOP / OFF position



3. Turn the Engine switch to OFF position.



NOTE: In case of emergency, in order to stop the engine just turn the switch to OFF position.

MAINTENANCE

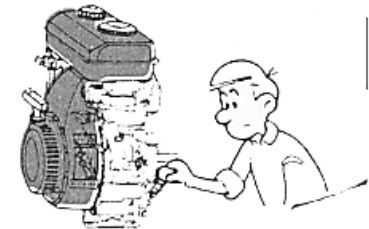
	Before Each Use	First Month	Every 3-Months	Every 6-Months	1-Year	3-Years
Engine Oil	Check	Change		Change		
Air Cleaner	Check		Clean			
Spark Plug				Check, Clean, Readjust		
Muffler					Clean	
Cylinder Head					Clean	
Fuel Filter & Fuel Pipe					Clean	Change
Valves					Check, Readjust	

Important:

- > Oil should be changed after first 20 hours of use. After that OIL should be changed every 100-hours of use.
- > If you are in dusty environment, service more frequently
- > Always use genuine spare parts and take it for servicing to authorized dealers.

Oil Change:

Remove Oil Filter cap



Remove the drain bolt, and drain the old oil.

