

Important: (1) Normal maintenance and adjustments to the product is the responsibility of the customer. (2) Normal wear and tear is not covered under warranty. (3) Rubber/plastic parts and consumables such as blades, clutch and clutch-bell, spark-plugs, nylon line, air-filters, fuel-filters, oil seals etc. are not covered under the warranty.

No Warranty On Electrical Motor / Electrical Parts / Battery Etc.

Incidental / Consequential Loss: KisanKraft Limited or its manufacturers will not be liable for general damages, including bodily injuries, or for incidental or consequential damages including, but not limited to, loss of use, loss of profits, loss of production, expense of substitute equipment or other commercial loss or damage.

Limitation of Liability: This limited warranty is in lieu of all other express warranties, obligations, or liabilities. Any implied warranties, obligations or liabilities, including, but not limited to, any implied warranty of merchantability shall be limited in duration to the applicable warranty period. Any action for breach of any warranty hereunder, including, but not limited to, any implied warranty of merchantability must be brought within the applicable warranty period.

Modifications of Warranty: No agent, representative, dealer, or employee of KisanKraft Limited or any of its manufacturers has the authority to increase or alter the obligations of this warranty.

Assignment / Transfer of warranty: The warranty cannot be assigned and shall not transfer if the product is resold by the first buyer. The above warranties are extended to the first end user (original purchaser), and no warranty is made, nor authorized to be made assignable on resale by the first end user.

What you must do to obtain limited warranty service: To obtain performance of any obligation under this warranty for failure during the applicable warranty period, deliver the defective product, to the nearest Authorized Dealer. KisanKraft Limited, its manufacturers and its dealers reserve the right to inspect the claimed defective part(s) to determine if the malfunction is the result of a defect covered by this warranty. Please note that the decision of KisanKraft Limited with respect to any warranty claim is final.

Receipt is required for availing warranty services

Jurisdiction: All disputes are subject to Bangalore court's jurisdiction.

Our Products

- ◆Chainsaws◆Brush Cutters and Accessories◆Harvesters◆
- ◆Engines and Water Pumps◆Hand Tools◆Garden Tools ◆
- ◆Cultivators and Accessories◆Sprayers and Accessories◆
- ◆Transplanter and Post Hole Digger ◆ Milking Machines◆

This warranty is null & void, if you fail to register the warranty with KisanKraft by sending the KisanKraft Copy with dealer's stamp.

KisanKraft Limited (formerly known as KisanKraft Machine Tools P Ltd)

🌐: www.kisankraft.com ✉: info@kisankraft.com ☎: +91.80.22178200

Product	Hedge Trimmer (Petrol)	KisanKraft Invoice Date	
Brand	KisanKraft	KisanKraft Invoice No.	
Model	<input checked="" type="checkbox"/> KK-HTP-600		
WARRANTY PERIOD	6-MONTHS	FOR THE SPECIFIED PERIOD FROM THE DATE OF SALE OR DELIVERY WHICHEVER IS EARLIER.	
Dealer's Invoice Date		Dealer's Invoice No.	
Buyer's Info (Name, Address, Phone, etc.):		Dealer's Stamp (Address, Phone, TIN, etc.):	
Buyer's Sign		Dealer's Sign	

What is covered: KisanKraft Limited and its manufacturers warrant this product to be free from defects in material or workmanship. All parts defective in material and workmanship are covered.

This warranty will only cover defects arising under normal usage.

This warranty is limited to repair or replacement by KisanKraft Limited or its manufacturers at the premises of Authorized Dealers, of such parts as appear to KisanKraft or its manufacturers, upon inspection, to be defective in material and/or workmanship. KisanKraft or its manufacturers make no warranty with respect to trade accessories not manufactured or sold by them.

What is not covered: The *warranty shall become null and void* and neither KisanKraft Limited nor any of its manufacturers, nor its authorized dealers assumes any responsibility, if the failure was caused by the following:

- (1) Operation of product with incorrect fuel or lubricants,
- (2) Incorrect usage of machine or misuse,
- (3) Lack of maintenance,
- (4) Negligence,
- (5) Accident or physical damage,
- (6) Repairs made by unauthorized parties and/or with unauthorized parts,
- (7) Improper set up, adjustments, tampering or altered products

Note: The purchase is not contingent upon a product demonstration. The purchaser shall satisfy himself with the product, including any product demonstration or verification of any function, before buying. KisanKraft Limited or its authorized dealers, including online sellers, shall not be liable to give any on-site demonstration after purchase of any of the product.

This warranty is null & void, if you fail to register the warranty with KisanKraft by sending the KisanKraft Copy with dealer's stamp.

KisanKraft Limited (formerly known as KisanKraft Machine Tools P Ltd)

🌐: www.kisankraft.com ✉: info@kisankraft.com ☎: +91.80. 22178200

Important: (1) Normal maintenance and adjustments to the product is the responsibility of the customer. (2) Normal wear and tear is not covered under warranty (3) Rubber/plastic parts and consumables such as blades, clutch and clutch-bell, spark-plugs, nylon line, air-filters, fuel-filters, oil seals etc. are not covered under the warranty.

No Warranty On Electrical Motor / Electrical Parts / Battery Etc.

Incidental / Consequential Loss: KisanKraft Limited or its manufacturers will not be liable for general damages, including bodily injuries, or for incidental or consequential damages including, but not limited to, loss of use, loss of profits, loss of production, expense of substitute equipment or other commercial loss or damage.

Limitation of Liability: This limited warranty is in lieu of all other express warranties, obligations, or liabilities. Any implied warranties, obligations or liabilities, including, but not limited to, any implied warranty of merchantability shall be limited in duration to the applicable warranty period. Any action for breach of any warranties hereunder, including, but not limited to, any implied warranty of merchantability must be brought within the applicable warranty period.

Modifications of Warranty: No agent, representative, dealer, or employee of KisanKraft Limited or any of its manufacturers has the authority to increase or alter the obligations of this warranty.

Assignment / Transfer of warranty: The warranty cannot be assigned and shall not transfer if the product is resold by the first buyer. The above warranties are extended to the first end user (original purchaser), and no warranty is made, nor authorized to be made assignable on resale by the first end user.

What you must do to obtain limited warranty service: To obtain performance of any obligation under this warranty for failure during the applicable warranty period, deliver the defective product, to the nearest Authorized Dealer. KisanKraft Limited, its manufacturers and its dealers reserve the right to inspect the claimed defective part(s) to determine if the malfunction is the result of a defect covered by this warranty. Please note that the decision of KisanKraft Limited with respect to any warranty claim is final.

Receipt is required for availing warranty services

Jurisdiction: All disputes are subject to Bangalore court's jurisdiction.

Our Products

- ◆Chainsaws◆Brush Cutters and Accessories◆Harvesters◆
- ◆Engines and Water Pumps◆Hand Tools◆ Garden Tools◆
- ◆Cultivators and Accessories◆Sprayers and Accessories◆
- ◆Transplanter and Post Hole Digger ◆ Milking Machines ◆

This warranty is null & void, if you fail to register the warranty with KisanKraft by sending the KisanKraft Copy with dealer's stamp.

KisanKraft Limited (formerly known as KisanKraft Machine Tools P Ltd)

🌐: www.kisankraft.com ✉: info@kisankraft.com ☎: +91.80. 22178200

Product	Hedge Trimmer (Petrol)	KisanKraft Invoice Date	
Brand	KisanKraft	KisanKraft Invoice No.	
Model	<input checked="" type="checkbox"/> KK-HTP-600		
WARRANTY PERIOD	6-MONTHS	FOR THE SPECIFIED PERIOD FROM THE DATE OF SALE OR DELIVERY WHICHEVER IS EARLIER.	
Dealer's Invoice Date		Dealer's Invoice No.	
Buyer's Info (Name, Address, Phone, etc.):		Dealer's Stamp (Address, Phone, TIN, etc.):	
Buyer's Sign		Dealer's Sign	

What is covered: KisanKraft Limited and its manufacturers warrant this product to be free from defects in material or workmanship. All parts defective in material and workmanship are covered.

This warranty will only cover defects arising under normal usage.

This warranty is limited to repair or replacement by KisanKraft Limited or its manufacturers at the premises of Authorized Dealers, of such parts as appear to KisanKraft or its manufacturers, upon inspection, to be defective in material and/or workmanship. KisanKraft or its manufacturers make no warranty with respect to trade accessories not manufactured or sold by them.

What is not covered: The *warranty shall become null and void* and neither KisanKraft Limited nor any of its manufacturers, nor its authorized dealers assumes any responsibility, if the failure was caused by the following:

- (1) Operation of product with incorrect fuel or lubricants,
- (2) Incorrect usage of machine or misuse,
- (3) Lack of maintenance,
- (4) Negligence,
- (5) Accident or physical damage,
- (6) Repairs made by unauthorized parties and/or with unauthorized parts,
- (7) Improper set up, adjustments, tampering or altered products

Note: *The purchase is not contingent upon a product demonstration. The purchaser shall satisfy himself with the product, including any product demonstration or verification of any function, before buying. KisanKraft Limited or its authorized dealers, including online sellers, shall not be liable to give any on-site demonstration after purchase of any of the product.*

This warranty is null & void, if you fail to register the warranty with KisanKraft by sending the KisanKraft Copy with dealer's stamp.

KisanKraft Limited (formerly known as KisanKraft Machine Tools P Ltd)

🌐: www.kisankraft.com ✉: info@kisankraft.com ☎: +91.80. 22178200



Wide Range of Products for Every Need



User Manual

KK-HTP-600



KisanKraft Limited

(Formerly known as KisanKraft Machine Tools Pvt. Ltd)

Sri Huchhanna Tower, #4, 1st Main, 7-A Cross, Maruthi Layout, Dasarahalli,
HAF Post, Hebbal, Bangalore 560024, Karnataka, INDIA

- ◆ Bangalore (HO) ◆ Ahmedabad ◆ Bhopal ◆ Bhubaneswar ◆ Coimbatore ◆
- ◆ Jammu ◆ Guwahati ◆ Shimla ◆ Hubli ◆ Hyderabad ◆
- ◆ Jaipur ◆ Karnal ◆ Kolkata ◆ Lucknow ◆ Pune ◆ Raipur ◆

For more information give **MISSED CALL: 07676065555**



Many of our products have BIS: ISI certification.



KisanKraft has a large range of products to serve the farmers. A list of our products is given below:

<p>Brush Cutters and Accessories</p> <ul style="list-style-type: none"> Brush Cutter/Power Weeder Backpack Brush Cutter Tea Pruner Pole pruner with Engine Reaper Attachment Blades-Circular Blades (2 & 3 points) Baffle Nylon Rope Tap & Go <p>Chainsaws</p> <ul style="list-style-type: none"> Petrol Chainsaw Electric Chainsaw Chain Sharpening Machine <p>Engines and Water Pumps</p> <ul style="list-style-type: none"> Engine –Diesel-(Horizontal) Engine –Diesel(Vertical) Engine-Kerosene Water Pump with Petrol Engine Water Pump with Kerosene Engine Water Pump with Diesel Engine <p>Hand Tools</p> <ul style="list-style-type: none"> Secateurs Folding Saw Garden Rake Garden Shovel Hedge Shear Lopper Telescopic Hedge Shear Telescopic Lopping Shear Tree Pruner Telescopic Steel Pipe & Fruit Picker Bag Sheep Shear <p>Garden Tools</p> <ul style="list-style-type: none"> Electric Pressure Washer Hedge Trimmer Lawn Mower (Electric, Petrol & Manual) Leaf Blower 	<p>Cultivators and Accessories</p> <ul style="list-style-type: none"> Petrol and Diesel <p>Sprayers and Accessories</p> <ul style="list-style-type: none"> Battery Sprayer Portable Power Sprayer Trolley Sprayer Manual Knapsack Sprayer Manual Pressure Sprayer Rose Cans Hose Crimping Machine HTP Sprayer HTP Delivery Hose HTP Hose Reel HTP Stand HTP Gun / Lance(Brass Rod Knapsack Power Sprayer Mister / Duster / Granuel Spreader HTP Sprayer Set with Diesel Engine HTP Sprayer Set with Kerosene Engine Fogging Machine <p>Milking Machine</p> <ul style="list-style-type: none"> Wood Shredder Fodder Ensiling Chaff Cutter Fodder Grinder Chaff Cutter Fodder Mini Chaff Cutter <p>Harvester</p> <ul style="list-style-type: none"> Maize Sheller Maize Sheller + Dehusker Maize Combine Harvester Onion Digger Carlotti Italy Tea Leaf Harvester Sugarcane Combine Harvester Sugarcane Leaf Stripper <p>Transplanter and Post Hole Digger</p> <ul style="list-style-type: none"> Paddy Transplanter (2 & 8 Rows) Transplanter-Vegetable & Tobacco Post Hole Digger(4" to 14" Augers)
--	---

Part. No	Part Name	Part. No	Part Name
E-25	Key (Crank shaft)	E-71	Muffler Cover
E-26	Gasket (Crankcase)	E-72	Fuel Tank
E-27	Pin	E-73	Washer(Plain)
E-28	Washer (Plain)	E-74	Screw ST
E-29	Washer (Spring)	E-75	Screw 5x20 star
E-30	Screw (cylinder)	E-76	Washer(Plain)
E-31	Screw	E-77	Fuel Tank Cap
E-32	Screw	E-78	N/A
E-33	Gasket(Guide Cover)	E-79	Gasket Fuel Tank Lid
E-34	Guide cover	E-80	N/A
E-35	Cap (Sparkplug)	E-81	N/A
E-36	Spring (Sparkplug)	E-82	N/A
E-37	Sparkplug	E-83	N/A
E-38	Flywheel	E-84	Fuel Filter
E-39	washer (coil)	E-85	Fuel Pipe Grommet
E-40	Ignition coil	E-86	Fuel Pipe Short
E-41	Cord Comp-Wire	E-87	Fuel Pipe Long
E-42	Nut M-8(Hex)	E-88	Start reel
E-43	Washer(Plain)	E-89	Claw spring
E-44	Clutch Bolt	E-90	start claw
E-45	Clutch Shoe Assy	E-91	Clutch holder
E-46	Washer A-Clutch	E-92	Starter Assy

CONTENTS

BEFORE GETTING STARTED 8

OVERVIEW..... 8

SAFETY INSTRUCTIONS 9

Working Gear and Clothing 9

Warning Considering Fuel Handling:..... 10

Things to Check before Using Your Hedge-Trimmer 10

Kickback Safety Precautions:..... 11

Operation Safety Precautions..... 11

OPERATION 12

Starting the Engine:..... 12

Trimming new growth..... 12

Leveling hedges 12

Side-trimming hedges 12

Shaping..... 12

Cutting sequence 12

Trimming the top 12

General information 13

MAINTENANCE AND STORAGE..... 14

TRANSPORTATION..... 14

TECHNICAL SPECIFICATIONS..... 15

PARTS DIAGRAM-BODY 16

PARTS LIST-BODY..... 17

PARTS DIAGRAM- ENGINE 18

PARTS LIST-ENGINE..... 19

Product	Hedge Trimmer (Petrol)	KisanKraft Invoice Date	
Brand	KisanKraft	KisanKraft Invoice No.	
Model	□ KK-HTP-600		
WARRANTY PERIOD	6-MONTHS	FOR THE SPECIFIED PERIOD FROM THE DATE OF SALE OR DELIVERY WHICHEVER IS EARLIER.	
Dealer's Invoice Date		Dealer's Invoice No.	
Buyer's Info (Name, Address, Phone, etc.):		Dealer's Stamp (Address, Phone, TIN, etc.):	
Buyer's Sign		Dealer's Sign	

What is covered: KisanKraft Limited and its manufacturers warrant this product to be free from defects in material or workmanship. All parts defective in material and workmanship are covered.

This warranty will only cover defects arising under normal usage.

This warranty is limited to repair or replacement by KisanKraft Limited or its manufacturers at the premises of Authorized Dealers, of such parts as appear to KisanKraft or its manufacturers, upon inspection, to be defective in material and/or workmanship. KisanKraft or its manufacturers make no warranty with respect to trade accessories not manufactured or sold by them.

What is not covered: The warranty shall become null and void and neither KisanKraft Limited nor any of its manufacturers, nor its authorized dealers assumes any responsibility, if the failure was caused by the following:

(1) Operation of product with incorrect fuel or lubricants, (2) Incorrect usage of machine or misuse, (3) Lack of maintenance, (4) Negligence, (5) Accident or physical damage, (6) Repairs made by unauthorized parties and/or with unauthorized parts, (7) Improper set up, adjustments, tampering or altered product

Note: The purchase is not contingent upon a product demonstration. The purchaser shall satisfy himself with the product, including any product demonstration or verification of any function, before buying. KisanKraft Limited or its authorized dealers, including online sellers, shall not be liable to give any on-site demonstration after purchase of any of the product.

This warranty is null & void, if you fail to register the warranty with KisanKraft by sending the KisanKraft Copy with dealer's stamp.

KisanKraft Limited (formerly known as KisanKraft Machine Tools P Ltd)

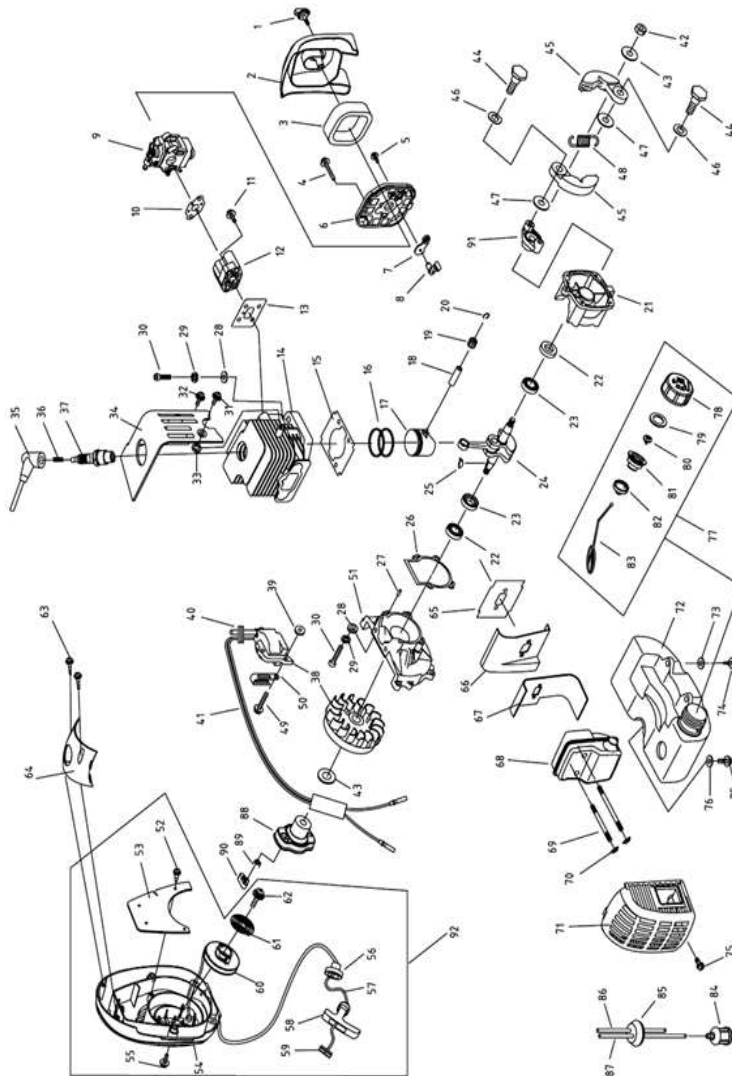
🌐: www.kisankraft.com ✉: info@kisankraft.com ☎: +91.80. 22178200

PARTS LIST-ENGINE

Part. No	Part Name	Part. No	Part Name
E-1	Screw air filter	E-47	Washer B-Clutch
E-2	Air cleaner outside cover	E-48	Spring-Clutch
E-3	Air cleaner sponge	E-49	Screw (lg-Coil)
E-4	Screw 5x55 Star/Allen	E-50	Clamp
E-5	Screw (Choker)	E-51	Crankcase(Big)
E-6	Air cleaner inside cover	E-52	Screw (Gasket Starter)
E-7	Choker	E-53	Gasket(Starter)
E-8	Choker handle	E-54	Starter Cover
E-9	Carburetor	E-55	Screw 5x20 Star/Allen
E-10	Gasket (Carburetor)	E-56	Guide(Starter)
E-11	Screw	E-57	Starter Rope
E-12	Insulator	E-58	Starter Handle
E-13	Gasket(Insulator)	E-59	Washer (Starter handle)
E-14	Cylinder	E-60	Rope reel
E-15	Gasket (Cylinder)	E-61	Recoil Spring
E-16	piston Rings	E-62	Screw (Starter)
E-17	Piston	E-63	Screw ST
E-18	Piston pin	E-64	Cover (Engine)
E-19	Needle bearing(piston Pin)	E-65	Gasket Small (Muffler)
E-20	Circlip(piston pin)	E-66	Steel Plate(Muffler)
E-21	Crankcase(Small)	E-67	Gasket Big (Muffler)
E-22	Oil seal	E-68	Muffler
E-23	Bearing	E-69	Screw 5x55 Allen (Muffler)
E-24	Crank shaft	E-70	N/A

🌐: www.kisankraft.com ✉: info@kisankraft.com ☎: +91.80. 22178200

PARTS DIAGRAM- ENGINE



Important: (1) Normal maintenance and adjustments to the product is the responsibility of the customer. (2) Normal wear and tear is not covered under warranty. (3) Rubber/plastic parts and consumables such as blades, clutch and clutch-bell, spark-plugs, nylon line, air-filters, fuel-filters, oil seals etc. are not covered under the warranty.

No Warranty On Electrical Motor / Electrical Parts / Battery Etc.

Incidental / Consequential Loss: KisanKraft Limited or its manufacturers will not be liable for general damages, including bodily injuries, or for incidental or consequential damages including, but not limited to, loss of use, loss of profits, loss of production, expense of substitute equipment or other commercial loss or damage.

Limitation of Liability: This limited warranty is in lieu of all other express warranties, obligations, or liabilities. Any implied warranties, obligations or liabilities, including, but not limited to, any implied warranty of merchantability shall be limited in duration to the applicable warranty period. Any action for breach of any warranty hereunder, including, but not limited to, any implied warranty of merchantability must be brought within the applicable warranty period.

Modifications of Warranty: No agent, representative, dealer, or employee of KisanKraft Limited or any of its manufacturers has the authority to increase or alter the obligations of this warranty.

Assignment / Transfer of warranty: The warranty cannot be assigned and shall not transfer if the product is resold by the first buyer. The above warranties are extended to the first end user (original purchaser), and no warranty is made, nor authorized to be made assignable on resale by the first end user.

What you must do to obtain limited warranty service: To obtain performance of any obligation under this warranty for failure during the applicable warranty period, deliver the defective product, to the nearest Authorized Dealer. KisanKraft Limited, its manufacturers and its dealers reserve the right to inspect the claimed defective part(s) to determine if the malfunction is the result of a defect covered by this warranty. Please note that the decision of KisanKraft Limited with respect to any warranty claim is final.

Receipt is required for availing warranty services

Jurisdiction: All disputes are subject to Bangalore court's jurisdiction.

Our Products

- ◆Chainsaws◆Brush Cutters and Accessories◆Harvesters◆
- ◆Engines and Water Pumps◆Hand Tools◆Garden Tools◆
- ◆Cultivators and Accessories◆Sprayers and Accessories◆
- ◆Transplanter and Post Hole Digger◆Milking Machines◆

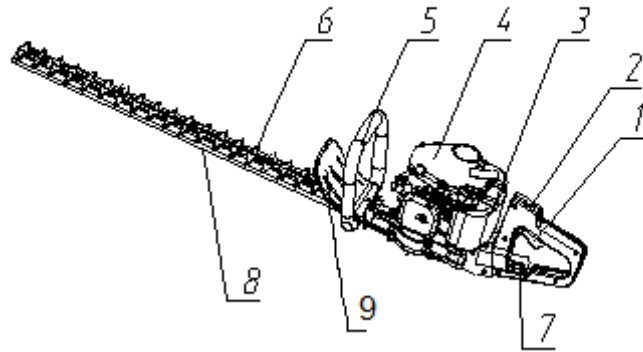
This warranty is null & void, if you fail to register the warranty with KisanKraft by sending the KisanKraft Copy with dealer's stamp.

KisanKraft Limited (formerly known as KisanKraft Machine Tools P Ltd)

BEFORE GETTING STARTED

Please read and follow the instructions in this manual before using the machine. The user should be familiar with the safety notices, machine performance, maintenance, etc. The operation manual will be used later in case of any repair, accessories replacement, and accessories procurement, so preserve it carefully.

OVERVIEW

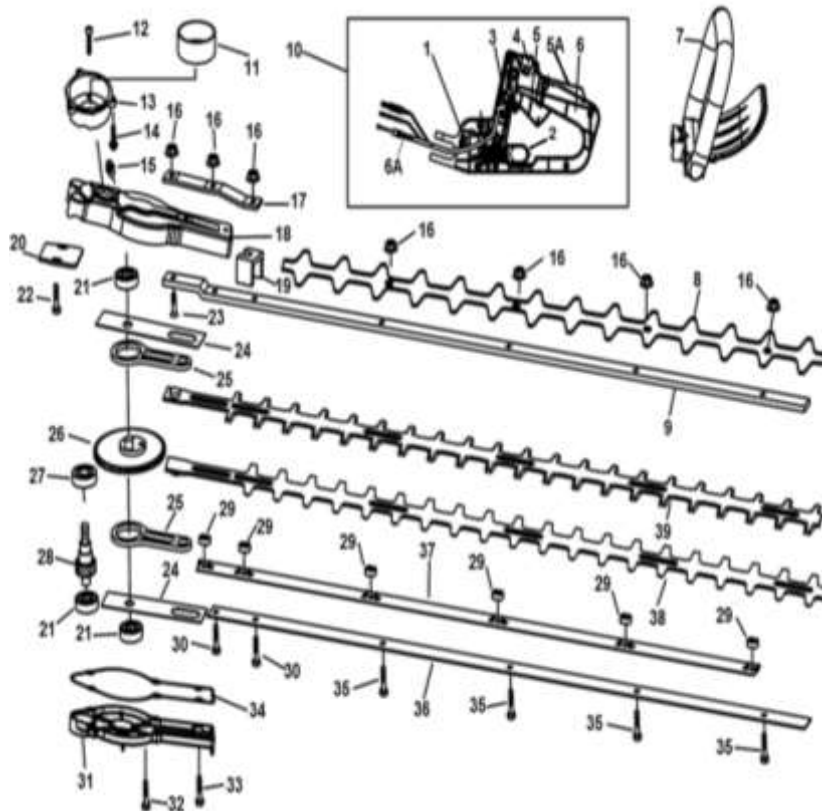


- | | |
|-------------------------------|----------------------------|
| 1. Throttle lever | 6. Safety |
| 2. Stop Button | 7. Hand Grip (Rear Handle) |
| 3. Fuel tank | 8. Blade |
| 4. Starter | 9. Safety Guard |
| 5. Plate Handle(Front Handle) | |

PARTS LIST-BODY

Part. No	Part Name	Part. No	Part Name
B-1	Linker Assy	B-20	Metal plate (Rear Handle)
B-2	Handle Lock Button	B-21	Bearing 629/P5
B-3	Buy #10	B-22	Screw M6x35-Allen
B-4	Stop Button Comp	B-23	Bolt M5x20-Hex
B-5	Trigger	B-24	Support Plate(connecting Rod)
B-5A	Trigger Control Rack	B-25	Connecting Rod
B-6	Buy #10	B-26	Gear And Brace Assy
B-6A	Throttle Cable	B-27	Bearing 6001-2RS/P5
B-7	Front Handle	B-28	Gear Shaft
B-8	Blade Cover (Metal)	B-29	Blade Adjusting-Spacer
B-9	Blade Bracket (Upper)	B-30	Bolt M5x35-Hex
B-10	Rear Handle Assy	B-31	Gear Case cover (Lower)
B-11	Clutch Drum	B-32	Screw M5x20-Hex
B-12	Screw M5x12-Allen	B-33	Screw M5x35-Hex
B-13	Clutch Case	B-34	Gasket -Gear Case cover
B-14	Screw M5x16-Allen	B-35	Bolt M5x25-Hex
B-15	Grease Nipple	B-36	Blade Bracket (Lower)
B-16	Nut M-6 Flanged	B-37	N/A
B-17	Cushion/Metal Plate	B-38	Blade Lower & Upper set
B-18	Gear Case cover (upper)	B-39	
B-19	Felt		

PARTS DIAGRAM-BODY



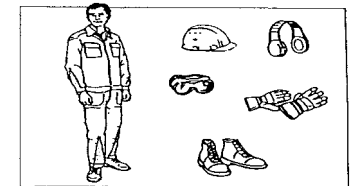
SAFETY INSTRUCTIONS

- a) Read this owner's manual carefully to understand how to operate this unit properly.
- b) This product has been designed for use in trimming the leaves and branches from trees and hedges and it should never be used for any other purpose as doing so could result in unforeseen accidents and injuries occurring.
- c) You should never use this hedge-trimmer when under the influence of alcohol, suffering from exhaustion or lack of sleep, drowsiness as a result of having taken cold medicine, or in any other circumstances when a possibility exists that your judgment might be impaired or that you might not be able to operate the hedge-trimmer properly and in a safe manner.
- d) Avoid running the engine indoors. The exhaust gases contain harmful carbon monoxide.
- e) Never use your hedge-trimmer in the following cases as given below:
 - When the ground is slippery or when other conditions exist which might make it impossible to maintain a steady posture while using the hedge-trimmer.
 - During nights, heavy fog, or in any other time when your field of vision might be limited and it would be difficult to gain a clear view of the area.
 - During rain storms, during lightning storms, at times of strong or gale-force winds, or any other weather conditions which might make it unsafe to use this product.
- f) While using this product for the first time, before beginning actual work, learn to handle the hedge-trimmer from skilled worker.
- g) Lack of sleep, tiredness, or physical exhaustion results in lower attention spans, and this in turn leads to accidents and injury.
- h) Limit the amount of time over which the hedge-trimmer is to be used continuously to keep the total amount of work performed in a single day under 2 hours or less.
- i) Be sure to keep this manual handy so that you may refer to it later whenever any questions arise.
- j) Always be sure to include this manual when selling, lending, or otherwise transferring the ownership of this product.
- k) Never allow children or anyone who do not understand the directions given in this manual, to use this hedge-trimmer.

Working Gear and Clothing

- a) When using your hedge-trimmer, you should wear proper clothing and protective equipment as given below:

1. Helmet
2. Protection goggles or face protector
3. Thick work gloves
4. Non-slip-sole work boots
5. Ear protectors



- b) Always carry the following things with you:

- Attached tools and files
 - Properly reserved fuel
 - Spare blade
 - Things to notify your working area (Rope, warning signs)
 - Whistle (for collaboration or emergency)
 - Hatchet or saw (for removal of obstacles)
- c) Never sue your hedge-trimmer while wearing pants with loose cuffs, sandals, or with barefoot.

Warning Considering Fuel Handling:

- a) The engine of this product is designed to run on a mixed fuel which contains highly flammable gasoline. You should never store fuel cans or refill the fuel tank in any place where there is a boiler, stove, wood fire, electrical sparks, welding sparks, or any other source of heat or fire which might ignite the fuel.
- b) Smoking while operating the hedge-trimmer or refilling its fuel tank is extremely dangerous. Always be sure to keep lit cigarettes away from the hedge-trimmer at all times.
- c) When refilling the tank always turn off the engine first and take a careful look around to make sure that there are no sparks or open flames anywhere nearby before refueling.
- d) In case of fuel spillage during refueling, use a dry cloth to wipe up the spills before turning the engine back tightly onto the fuel tank and then carry the hedge-trimmer to a spot 3m or more away from where it was refueled before turning on the engine.

Things to Check before Using Your Hedge-Trimmer

- a) Before beginning work, look around carefully to get an idea of the shape of the land, or grass to be trimmed, and obstacles which might get in the way while working, and remove any obstacles which can be cleared away.
- b) The area within a perimeter of 15m of the person using the hedge-trimmer should be considered a hazardous into which no one should enter while the hedge-trimmer is in use, and necessary yellow warning signs should be placed around the work area. When work is to be performed simultaneously by two or more persons, always check the presence and locations of others so as to maintain a distance between each person sufficient to ensure safety.
- c) Make sure that there are no loose screws or bolts, fuel leaks, ruptures, dents, or any other problems which might interfere with safe operation. Be especially careful to check that there is nothing wrong with the blades that are attached to the hedge-trimmer.
- d) Never use blades that are bent, warped, cracked, broken or damaged in any way.
- e) Keep the blade always sharp.
- f) While filing the cutting edges, keep the end corner sharp and round the root of the edge.
- g) Check the bolt to fasten so that the blade turns smoothly without abnormal noise.
- h) After starting up the engine, if the blades continue to rotate even after the throttle has been moved back fully, turn off the engine and check the throttle wire and other parts.

TECHNICAL SPECIFICATIONS

Product Name		HTP-600
Net Weight		5.5 kg
Blade	Type	double sided
	Total Length / Cutting width	600 mm
	Tooth space	20 mm
Power Transmission Method		Automatic centrifugal clutch, spur gear, cam-crank
Reduction Rate		5.1 : 1
Engine	Type	Single cylinder air cooling 2-cycle gasoline engine
	Displacement Volume	25.4 cc
	Fuel Tank Capacity	600 ml
	Fuel Used	40 ml 2T oil per 1liter petrol
	Lubricating Oil Used	2-cycle engine oil
	Carburetor	Diaphragm, rotary valve
	Sparking method	IC-controlled fly wheel magnet
	Starting Method	Recoil starter

MAINTENANCE AND STORAGE

1. When not in use, drain all the fuel from the tank and store the hedge trimmer should be stored in a dry, frost-free location, out of reach of children.
2. Keep ventilation slots of the trimmer clean at all times and prevent any foreign matter from entering.
3. If the housing of the trimmer requires cleaning, use a moist soft cloth, but not any solvents.
4. The blade rail should be cleaned and treated with light machine oil or spray lubricant after each use. The lubrication will also help prevent corrosion of the blade when not in use. When a job lasts for a longer period of time it is recommended that the blade rail also be treated with spray lubricant at regular intervals during operation.


Note: The blades are not covered by warranty- any damage to or sharpening of the blades is the responsibility of the user.

TRANSPORTATION

1. Make sure the appropriate blade cover is in place.
2. When transporting by car, fix the unit firmly using a rope. Do not transport by bicycle or motorbike because it is dangerous.
3. Never transport the hedge-trimmer over rough roads over long distances without first removing all fuel from the fuel tank, as doing so might cause fuel to leak from the tank.

Kickback Safety Precautions:

A dangerous reaction may occur when the spinning blade contacts a solid object in the critical area which is called **Kickback**. As a result, the operator can lose control of the unit which can cause serious or fatal injury.

 **Warning! Avoid kickback**, observe the safety precautions below strictly.

- Keep the cutting blades clear of fences, posts, wires, and rocks to prevent kickback and damage to the blades.
- When using your hedge-trimmer, do not grip other parts except the handles.
- When using your hedge-trimmer, never take your eyes off. If you need to, place the throttle in the idling position.
- When using your hedge-trimmer, do not let the unit get closer to your feet nor raise the unit above your waist

Operation Safety Precautions

- Grip the handles of the hedge-trimmer firmly with both hands. If you suspend the work, place the throttle in the idling position.
- Always be sure to maintain a steady, even posture while working.
- Maintain the speed of the engine at the level required to perform cutting work, and never raise the speed of the engine above the level necessary.
- If the grass gets caught in the blade during operation, or if you need to check the unit or refuel the tank, always be sure to turn off the engine.
- If the blade touches a hard object like a stone, immediately stop the engine and check if something is wrong with the blade and replace if necessary
- If someone calls out while working always be sure to turn off the engine before turning around.
- Never touch the spark plug or plug cord while the engine is in operation. Doing so may result in being subjected to an electrical shock.
- Never touch the muffler, spark plug, or other metallic parts of engine while the engine is in operation or immediately after shutting down the engine, Doing so may result in serious burns.
- When you finish cutting in one location and wish to continue work in another spot, turn off the engine and turn the unit as the blade faces away from your body.
- Maintain proper footing and balance and do not overreach.
- Please wear safety goggles, anti-slip footwear and rubber gloves when trimming..
- Always hold the trimmer with one hand on the front handle and one hand on the rear handle.

 **Warning! Turn off the hedge trimmer before you do any adjustments.**

- To adjust the grip direction, you hold the front handle by one hand. The other hand grips the rear handle
- Never hold the tool by the safety guard

OPERATION

Starting the Engine:

1. Take a careful look around to make sure that no obstacles exist within a perimeter of 15m or less around hedge-trimmer.
2. Place the body of the hedge-trimmer onto the ground in a flat clear area and hold it firmly in place so as to ensure that neither the blades nor the throttle come into contact with any obstacle, once the engine starts up.
3. Place the throttle in the idling position while starting the engine.
4. Switch the button to **ON / START** position.
5. Pull the recoil starter (2~3) to start the engine.
6. Press the throttle to start the operation.

Trimming new growth

- The most effective way to trim new growth is to use a wide sweeping motion, feeding the blade teeth through the twigs.
- A slight downward tilt of the blade, in the direction of motion gives the best cut. Do not use the Trimmer for cutting stems diameters greater than 15mm. Use the trimmer only for cutting normal shrubbery found around houses and buildings.

Leveling hedges

Stretch a piece of string along the length of the hedge as a guide when leveling hedges.

Side-trimming hedges

Begin at the bottom and cut in an upward sweeping action so that the debris falls away from the trimmer and does not build up around the dual action cutting blades (5).

Shaping

A hedge should be trimmed to a trapezoidal form, that is, it should widen toward the bottom at both sides. This improves the penetration of light to the lower extremities. A general guideline is approximately a 10cm slant for each 1 meter of hedge height.

Cutting sequence

First cut both sides, starting at the bottom and work to the top to prevent cuttings from falling into the area where you are still working.

Trimming the top

Where the branches have grown extremely long, cut back the hedge in several stages. The shorter the cuttings the better suited they are for composting.

General information

- When older hedges are to be cut back a substantial amount, use pruning shears or some other device to trim thicker branches (greater than 15mm diameter) to the desired length before starting work with the hedge trimmer.
- To shape precisely, run a taught line between the extreme edges of the hedge and then trim along the length of the line.
- Ensure the dual action cutting blades do not come into contact with any object made of hard material that could damage the blades, such as fencing wire or metallic plant supports.
- When the task is complete, turn off the tool by reducing the throttle, and switching the button to **STOP** position, slip on the blade cover.