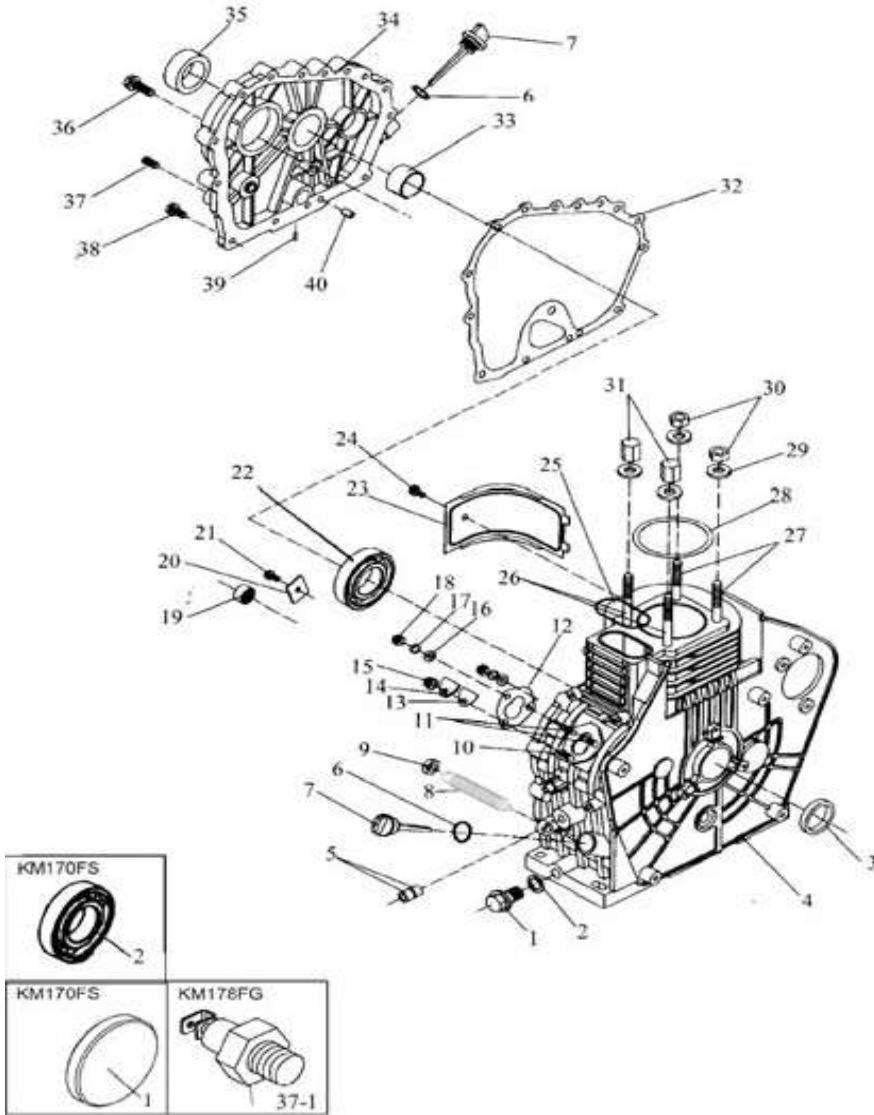


(1) Cylinder Block Assem (KM170F-01000)

S.no	Part No	Part Name	KK-NO
1	KM170F-01018	Drain Plug Screw	E1-1
2	KM170F-01100	Washer Unit Of Drain Plug	E1-2
3	GB/T290-1982	Oil Seal SG 30x45x8 Rear	E1-3
4	KM170F-01001	Cylinder Block	E1-4
	KM170FA-01001	Cylinder Block	N/A
5	GB/T290-1982	Needle Bearing 7941/8	E1-5
6	GB/T1235-1976	O-Ring 22.5x2.4	E1-6
7	KM170F-01002	Oil Dipstick	E1-7
8	KM170F-11200	Fuel Controller Assem	E1-8
9	GB/T6173-2000	Nut M10x1.25	E1-9
10	KM170F-01012	Forcing Stud Of Fuel Injection Pump Short	E1-10
11	KM170F-01011	Forcing Stud Of Fuel Injection Pump Long	E1-11
12	KM170F-10014	Fuel Injection Pump Washer	E1-12
13	KM170F-10016	Joint Washer	E1-13
14	KM170F-10015	Seal Plate	E1-14
15	GB6177-86	Nut M6	E1-15
16	GB/T97.1-1985	Gasket 6	E1-16
17	GB93-87	Gasket 6	E1-17
18	GB6170-86	Nut M6	E1-18
19	GB/T290-1989	Needle Bearing HK 1512	E1-19
20	KM170F-01009	Trust Plate	E1-20
21	GB5789-86	Bolt M8x12	E1-21
22	GB/T276-1994	Ball Bearing 6303/P5	E1-22
23	KM170F-01019	Air Cover	E1-23
24	GB5789-86	Bolt M6x12	E1-24
25	KM170F-01008	Sheat Gasket	E1-25
26	KM170F-01006	Cylinder Head Stud Bolt (Long)	E1-26
27	KM170F-01003	Cylinder Head Stud Bolt (Short)	E1-27
28	KM170F-01013	Cylinder Head Shim	E1-28
29	KM170F-01005	Cylinder Head Shim	E1-29
30	KM170F-01004	Cylinder Head Nut (Thin)	E1-30
31	KM170F-01007	Cylinder Head Nut (Thick)	E1-31
32	KM170F-01015	Crankcase Cover Washer	E1-32
33	KM170F-01014	Ball Bearing	E1-33
34	KM170F-01016A	Crankcase Cover	E1-34
	KM170F-01016	Crankcase Cover	N/A
35	GB2600-80	Oil Seal SG 25x42x8 Front	E1-35
36	GB5789-86	Bolt M8x33.5	E1-36
37	KM170F-01017	Hexagonal Internal Screw Plug	E1-37
37-1	KM178FG-01300	Oil Indicator	N/A
38	GB5789-86	Bolt M6x25	E1-38

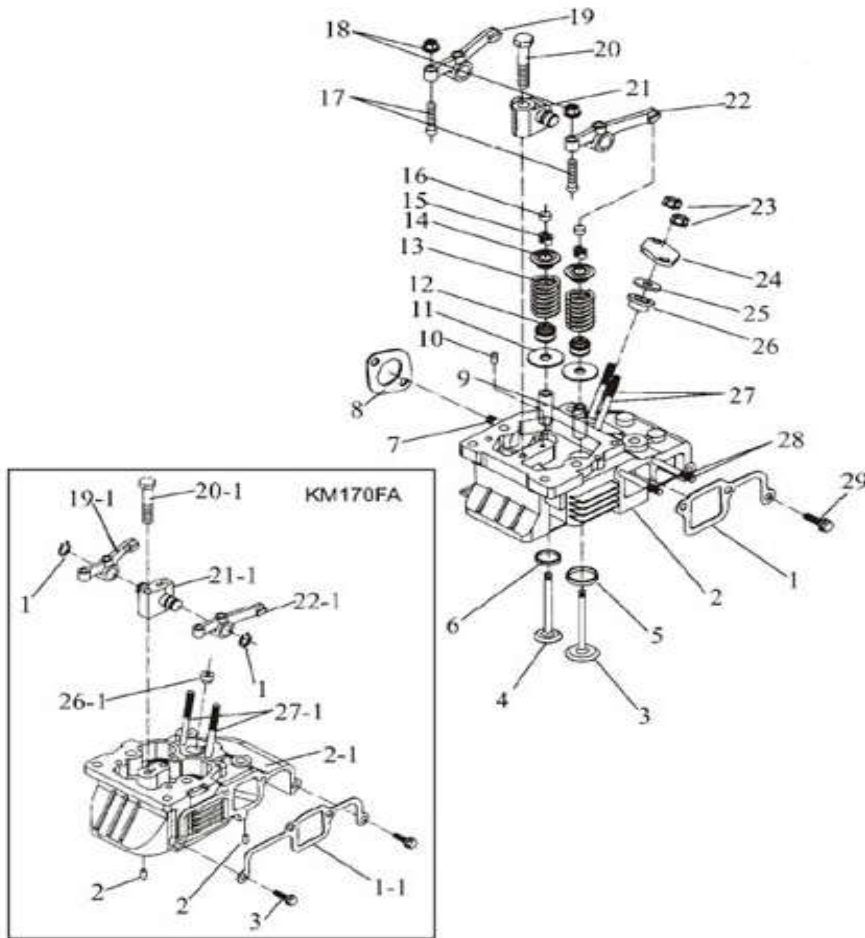
39	KM170F-01021	Plunger	E1-39
40	GB/T119.1-2000	Pin 8x12	E1-40
KM170FS-01000			
1	KM170FS-01022	Block	N/A
2	GB/T276-1994	Ball Bearing 6205/P5	N/A

1



(2) Cylinder HEAD Assem (KM170F-02000)

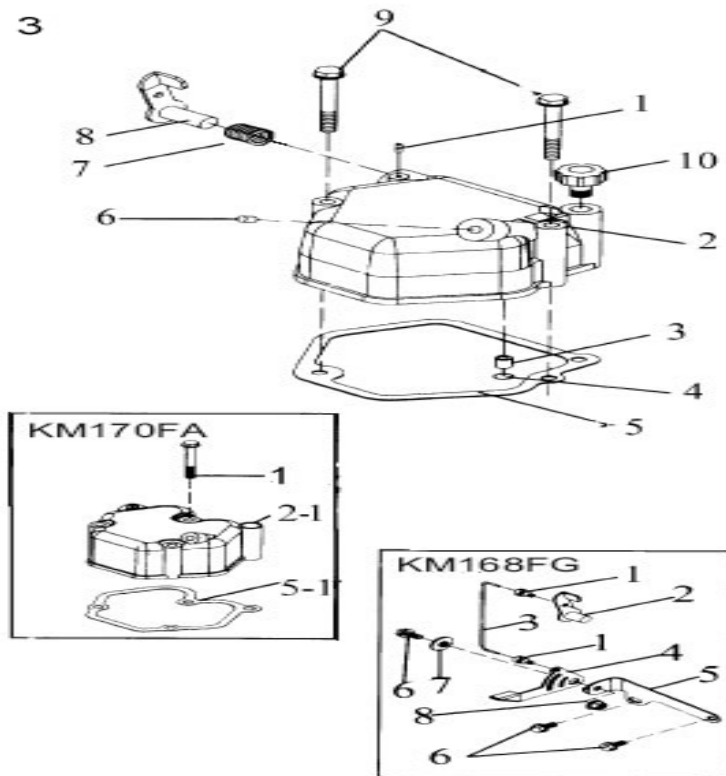
S.no	Part No	Part Name	
1	KM170F-02014	Intake Pipe Shim	E2-1
1-1	KM170FA-02014	Intake Pipe Shim	N/A
2	KM170F-02202	Cylinder Cover	E2-2
2-1	KM170FA-02202	Cylinder Cover	N/A
3	KM170F-02204	Intake Valve	E2-3
4	KM170F-02203	Exhaust Valve	E2-4
5	KM170F-02203	Inlet Valve Seat	E2-5
6	KM170F-02204	Exhaust Valve Seat	E2-6
7	GB/T899-88	Stud AM8x20	E2-7
8	KM170F-02015	Muffler Shim	E2-8
9	KM170F-02201	Valve Conduit	E2-9
10	GB/T119.1-2000	Pin 4x8	E2-10
11	KM170F-02007	Valve Spring Gasket	E2-11
12	KM170F-02006	Valve Conduit Oil Seal	E2-12
13	KM170F-02005	Valve Spring	E2-13
14	KM170F-02002	Valve Spring Seat	E2-14
15	KM170F-02001	Valve Retaining Clip	E2-15
16	KM170F-02016	Valve Adjusting Cushion	E2-16
17	KM170F-02008	Valve Clearance Adjusting Screw	E2-17
18	KM170F-02019	Valve Clearance Adjusting Locking Nut	E2-18
19	KM170F-02012	Exhaust Valve Rocker Arm	E2-19
19-1	KM170FA-02012	Exhaust Valve Rocker Arm	N/A
20	KM170F-02017	Set Bolt Of Rocker Arm Seat	E2-20
20-1	KM170FA-02017	Set Bolt Of Rocker Arm Seat	N/A
21	KM170F-02100	Rocker Arm Seat Assem	E2-21
21-1	KM170FA-02100	Rocker Arm Seat Assem	N/A
22	KM170F-02013	Intake Valve Rocker Arm	E2-22
22-1	KM170FA-02013	Intake Valve Rocker Arm	N/A
23	GB6177-86	Nut M6	E2-23
24	KM170F-02009	Fuel Injection Valve Retainer	E2-24
25	KM170F-02018	Heat Insulartor Gasket	E2-25
26	KM170F-02011	Heat Insulartor	E2-26
26-1	KM170FA-02011	Heat Insulartor	N/A
27	GB900-88	Stud AM6x50	E2-27
27-1	GB900-88	Stud AM6x65	N/A
28	GB/T900-1988	Stud AM6x55	E2-28
29	GB5789-86	Stud AM6x25	E2-29
KM170FA-02000			
1	GB/T894.1-1986	Retainer Ring 12	N/A
2	GB/T119.1-2000	Pin 4x8	N/A
3	GB/T5789-1986	Bolt M6x25	N/A



(3) Cylinder Head Cover Assem (KM170F-03000)

S.NO	Part No	Part Name	
1	GB/T119-1986	Pin 3x16	E3-1
2	KM170F-03001	Cylinder Head Cover	E3-2
2-1	KM170FA-03001	Cylinder Head Cover	N/A
3	KM170F-03007	Breather Seat	E3-3
4	GB/T1235-1976	O-Ring 12x1.9	E3-4
5	KM170F-03003	Cylinder Head Cover Washer	E3-5
5-1	KM170FA-03003	Cylinder Head Cover Washer	N/A
6	KM170F-01021	Plunger	E3-6
7	KM170F-03004	Decompression Spring	E3-7
8	KM170F-03100	Decompression Spring Assem	E3-8
9	GB900-88	Bolt M6x55	E3-9
10	KM170F-03005	Filter Screw Plug	E3-10
KM170FG-03005			
1	KM178FG-03012	Decompression Wire Sheath	N/A
2	KM170F-03100	Decompression Wire Assem	N/A
3	KM170FG-03011	Decompression Wire	N/A
4	KM178FG-03009	Outer Decompression Handle	N/A

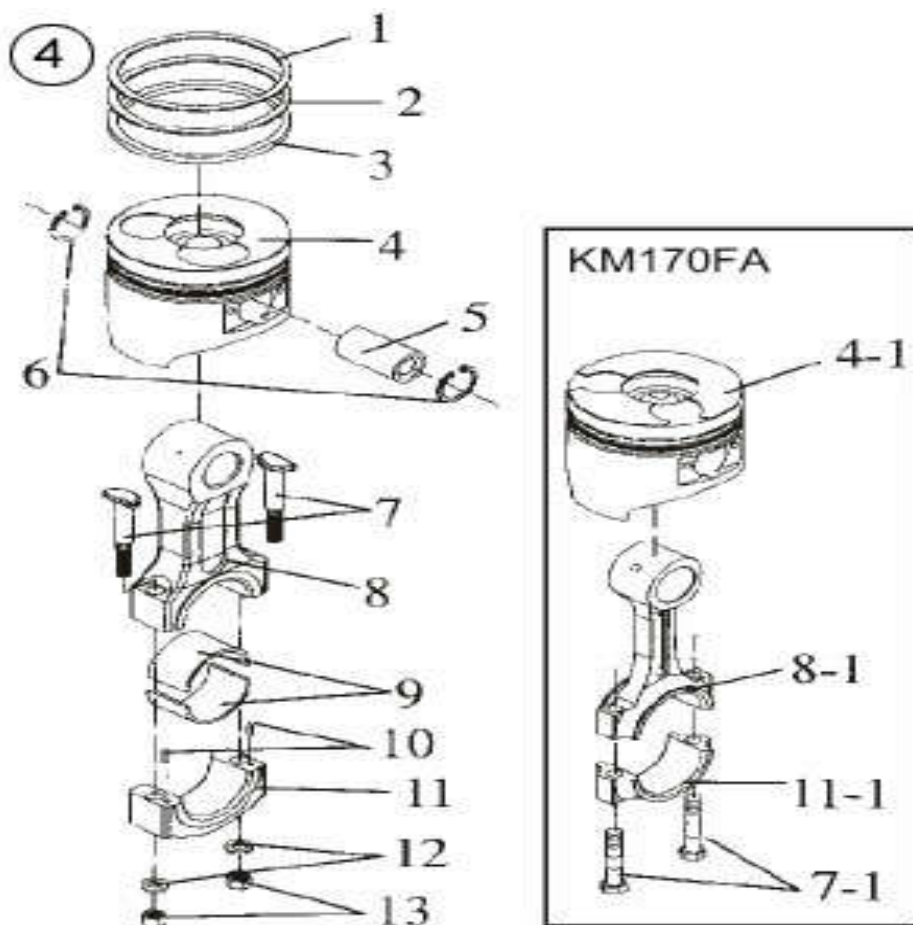
5	KM178FG-03008	Decompression Handle Support	N/A
6	GB/T5789-86	Bolt M6x14	N/A
7	KM178FG-03013	Outer Decompression Handle Sheat	N/A
8	GB/T6170-86	Nut M6	N/A
KM170FA-03000			
1	GB/T5789-86	Bolt M6x55	N/A



(4) Piston & Connecting Rod Asem (KM170F-04000)

S.no	Part No	Part Name	
1	KM170F-04001	Piston Ring Set	E4-1,2,3
2	KM170F-04002		
3	KM170F-04100		
4	KM170F-04003	Piston	E4-4
	KM170FS-04003	Piston	N/A
4-1	KM170FA-04003	Piston	N/A
5	KM170F-04004	Piston Pin	E4-5
6	GB/T893.1-1986	Retainer Ring 19	E4-6
7	KM170F-04008	Connecting Rod Bolt	E4-7
7-1	KM170FA-04204	Connecting Rod Bolt	N/A
8	KM170F-04007	Connecting Rod Block	E4-8
8-1	KM170FA-04202	Connecting Rod Block	N/A
9	KM170F-04005	Connecting Rod Shaft Bushing	E4-9
10	GB/T119.2-2000	Pin 3x10	E4-10

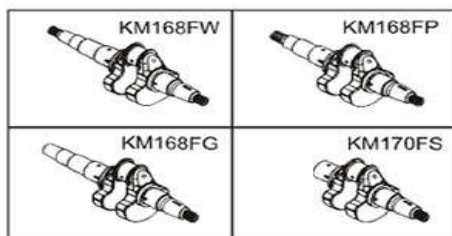
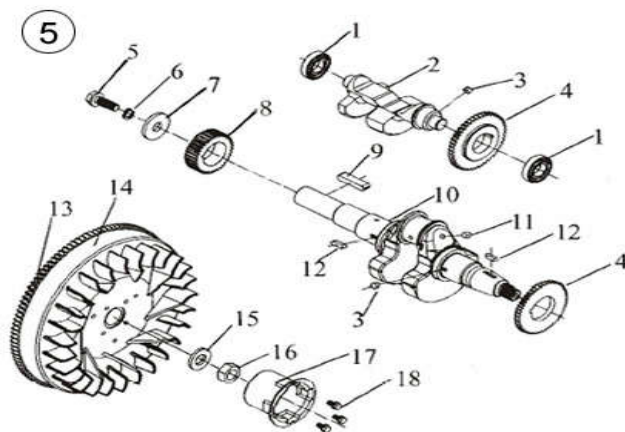
11-1	KM170FA-04203	Connecting Rod Cover	N/A
11	KM170F-04006	Connecting Rod Assy	E4- 11,12,13
12	KM170F-04009		
13	KM170F-04011		



(5) Crankshaft Flywheel Assem (KM170F-05000)

S.no	Part No	Part Name	
1	GB/T276-1994	Ball Bearing 6202/P5	E5-1
2	KM170F-05301	Balance Shaft	E5-2
3	KM170F-05306	Key	E5-3
4	KM170FS-05004	Drive Gear Of Balance Shaft	E5-4
5	KM170F-05007	OutPut End Set Bolt	E5-5
6	GB93-87	Gasket 8	E5-6
7	KM170F-05005	OutPut End Gasket	E5-7
8	KM170F-05203	Crank Shaft Timing Gear	E5-8
9	GB/T1096-1979	Key 5x30	E5-9
10	KM170F-05201	Crank Shaft	E5-10
	KM170FA-05201	Crank Shaft	N/A
	KM170FG-05201	Crank Shaft	N/A

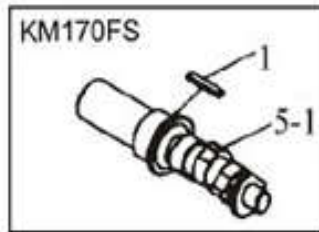
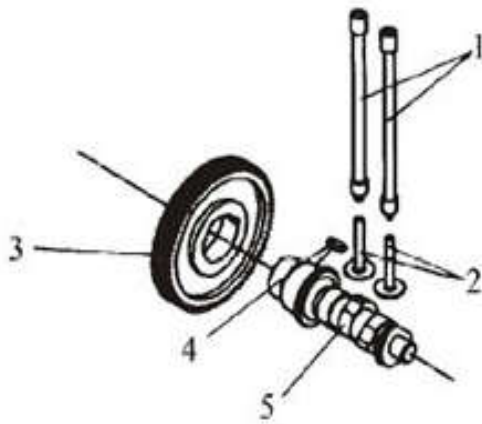
	KM170FW-05201	Crank Shaft	N/A
	KM170FP-05201	Crank Shaft	N/A
	KM170FS-05201	Crank Shaft	N/A
11	GB308-89	Steel Ball 1/4	E5-11
12	GB/T1096-1979	Key 5x12	E5-12
13	KM170F-05102	Flywheel Tooth	E5-13
	KM170FS-05102	Flywheel Tooth	N/A
14	KM170F-05101	Flywheel	E5-14
	KM170FS-05101	Flywheel	N/A
15	KM170F-05003	Flywheel Nut Gasket	E5-15
16	KM170F-05002	Flywheel Nut	E5-16
17	KM170F-05001	Starting Ratchet Reel	E5-17
18	GB5789-86	Bolt M6x12	E5-18



(6) Camshaft Assem (KM170F-06000)

S.no	Part No	Part Name	
1	KM170F-06100	Valve Push Rod Assem	E6-1
2	KM170F-06003	Valve Tappet	E6-2
3	KM170F-06002	Camshaft Timing Gear	E6-3
4	GB/T1096-1979	Key 5x14	E6-4
5	KM170F-06001	Camshaft	E6-5
	KM170FA-06001	Camshaft	N/A
5-1	KM170FS-06001	Camshaft	N/A
KM170FS-06000			
1	GB/T1096-1979	Key 5x30	N/A

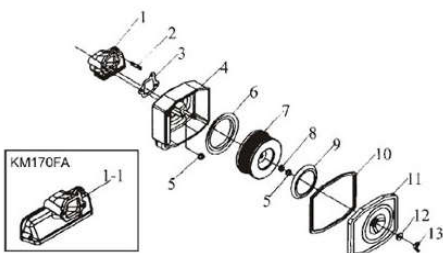
6



(7) Air Intake System (KM170F-07000)

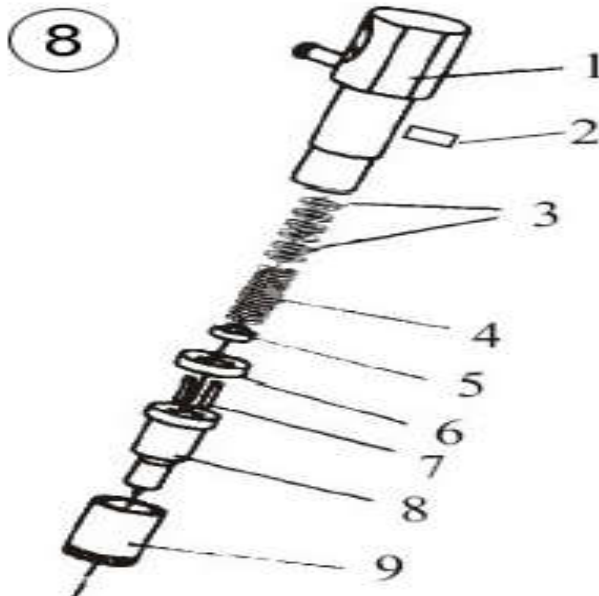
S.no	Part No	Part Name	
1	KM170F-07401	Inlet Pipe	N/A
1-1	KM170FA-07401	Inlet Pipe	N/A
2	KM170F-07402	Tightening Bolt Of Air Cleaner	N/A
3	KM170F-07001	Air Cleaner Washer	N/A
4	KM170F-07300	Air Cleaner Bottom Case Assem	N/A
5	GB/T6177.1-2000	Nut M6	N/A
6	KM170F-07303	Shock Proof Sheat Gasket II	N/A
7	KM170F-07100	Air Cleaner Element Assem	N/A
8	KM170F-07101	Shock Proof Unit	N/A
9	KM170F-07203	Shock Proof Sheat Gasket I	N/A
10	KM170F-07201	Sheat Gasket	N/A
11	KM170F-07202	Air Cleaner Cover	N/A
12	KM170F-07210	Shock Proof Seal Assem	N/A
13	GB62-88	Nut M6	N/A

7



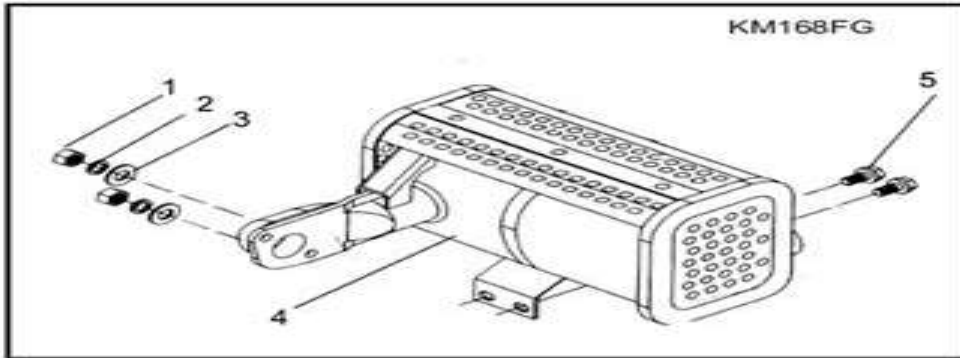
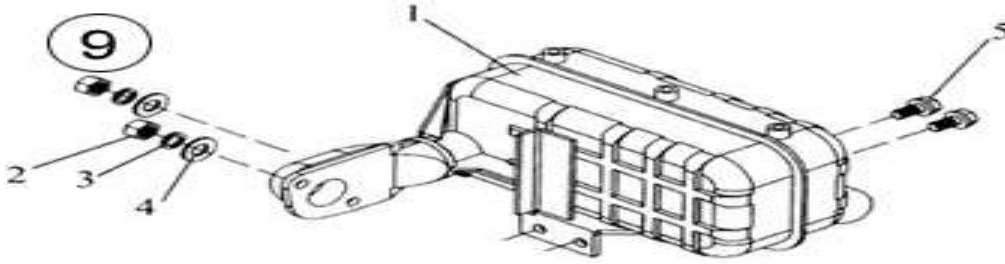
(8) Fuel Injection Valve Asem (KM170F-13000)

S.no	Part No	Part Name	
		Fuel Injection Valve Asem	E8-00
1	KM170F-13200A	Fuel Injection Valve Block	E8-1
2	GB/T879-1986	Pin 3x5	E8-2
3	KM170F-13007	Volt Adjustment Washer	N/A
4	KM170F-13006	Volt Adjustment Spring	N/A
5	KM170F-13005	Mandril	N/A
6	KM170F-13003	Intermediate Block	N/A
7	KM170F-13004	Locating Pin	E8-7/8
8	KM170F-13100	Fuel Injection Nozzle	
9	KM170F-13002	Nozzle Forcing Nut	N/A
	KM170FA-13000	Fuel Injection Valve Assem	N/A



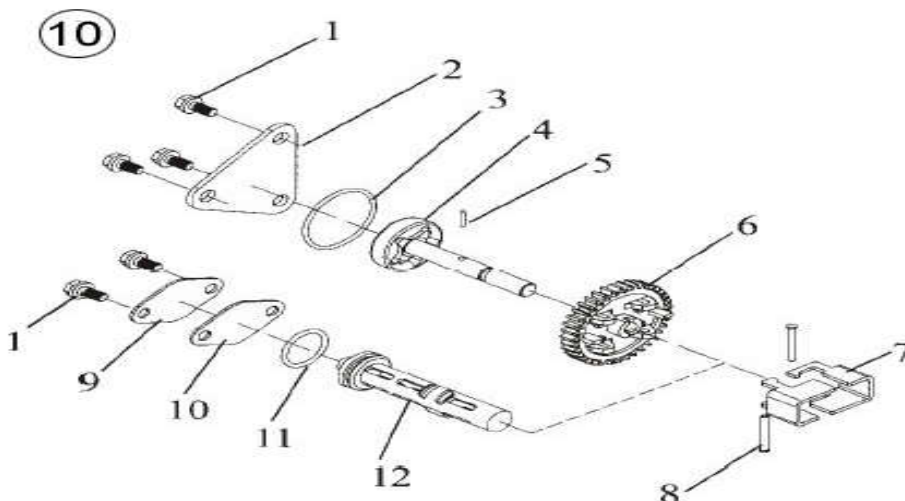
(9) Muffler Assem (KM170F-08000)

S.no	Part No	Part Name	
1	KM170F-08000	Muffler Assem	E9-1
2	GB6170-86	Bolt M8	E9-2
3	GB93-87	Gasket 8	E9-3
4	GB/T97.1-1985	Gasket 8	E9-4
5	GB5789-86	Bolt M6x14	E9-5
KM170FG-08000			
1	GB/T6170-2000	Nut M8	N/A
2	GB93-87	Gasket 8	N/A
3	GB/T97.1-1985	Gasket 8	N/A
4	K170FG-08000	Muffler Assem	N/A
5	GB5789-86	Bolt M6x14	N/A



(10) Lube Stsyem (KM170F-09000)

S.no	Part No	Part Name	
1	GB5789-86	Bolt M6x12	E10-1
2	KM170F-09003	Lube Oil Pump Cover	E10-2
3	GB/T3452.1-1992	O-Ring 34x1.8	E10-3
4	KM170F-09100	Engine Oil Pump Unit	E10-4
5	GB/T119.1-1986	Pin 3x16	E10-5
6	KM178F-09002	Drive Gear Of Lube Oil Pump	E10-6
7	KM170F-11001	Flying Weight	E10-7
8	KM170F-11002	Flying Weight Pin	E10-8
9	KM170F-09001	Lube Oil Cleaner Cover	E10-9
10	KM170F-09002	Lube Oil Cleaner Cover Washer	E10-10
11	GB/T1235-1976	O-Ring 5x2.4	E10-11
12	KM170F-09200	Lube Oil Filter Assem	E10-12

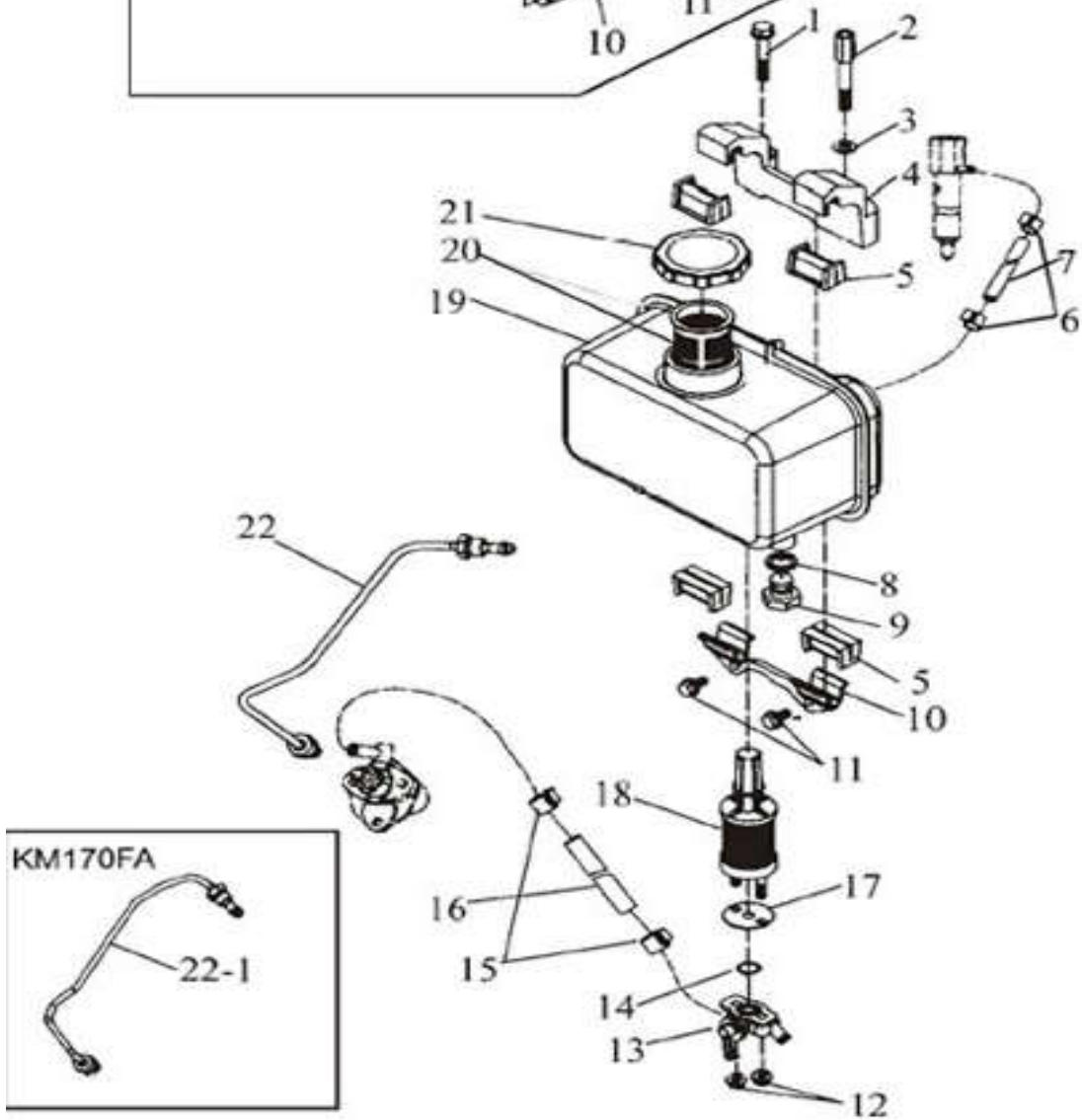
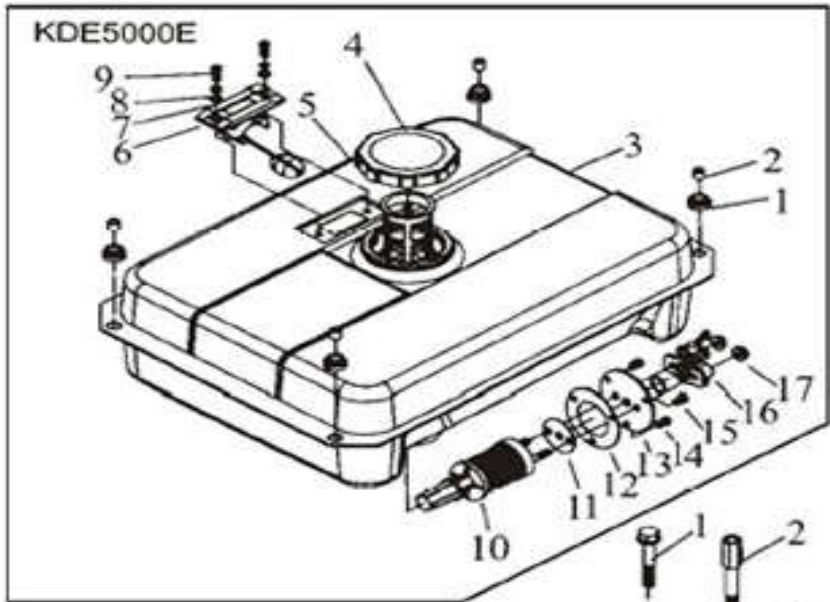


(11) Fuel System (KM170F-10000)

S.no	Part No	Part Name	
1	GB5789-86	Bolt M8x45	E11-1
2	KM170F-10003	Set Bolt Of Fuel Tank Upper Support	E11-2
3	GB93-87	Gasket 8	E11-3
4	KM170F-10001	Fuel Tank Upper Support	E11-4
5	KM170F-10002	Cushion	E11-5
6	KM170F-10013	Fuel Return Pipe Clip	E11-6
7	KM170F-10012	Fuel Return Pipe	E11-7
	KM170FA-10012	Fuel Return Pipe	N/A
8	KM170F-10008	Drain Bolt Washer	E11-8
9	GB5789-86	Bolt M12x1.25x14	E11-9
10	KM170F-10600	Fuel Tank Lower Support	E11-10
11	GB5789-86	Nut M6x14	E11-11
12	GB6170-86	Nut M6	E11-12
13	KM170F-10400	Fuel Tank Switck Assem	E11-13
14	GB/T3452.1-1992	O-Ring 13.2x1.8	E11-14
15	KM170F-10011	Clip	E11-15
16	KM170F-10009	Fuel Pipe	E11-16
17	KM170F-10007	Fuel Filter Washer	E11-17
18	KM170F-10300	Element Assem	E11-18
19	KM170F-10200	Fuel Tank Weldment Assem	E11-19
20	KM170F-10004	Fuel Filter Screen	E11-20
21	KM170F-10100	Fuel Tank Cap	E11-21
22	KM170F-10500	High Pressure Fuel Pipe Unit	E11-22
	KM170FG-10500	High Pressure Fuel Pipe Unit	N/A
22-1	KM170FA-10500	High Pressure Fuel Pipe Unit	N/A
KME5000E-30000			
1	KDE5000E-30004	Cushion	N/A
2	KDE5000E-30005	Sheat	N/A
3	KDE5000E-31000	Fuel Tank Weldment Assem	N/A
4	HR180N-10100	Fuel Tank Cap	N/A
5	KM170F-10004	Fuel Filter Screen	N/A
6	KDE5000E-32000	Fuel Indicator Assem	N/A
7	GB/T93-1987	Spring Gasket 5	N/A
8	GB/T97.1-1985	Gasket 5	N/A
9	GB/T819.1-1985	Plus Screw M5x12	N/A
10	KM170F-10300	Element Assem	N/A
11	KM170F-10007	Fuel Cleaner Washer	N/A
12	KDE5000E-31007	Joint Washer	N/A
13	KDE5000E-31006	Sealing Plate	N/A
14	GB/T819.1-1992	Plus Screw M5x8	N/A
15	GB/T3452.1-1992	O-Ring 13.2x1.8	N/A

16	KM170F-10400	Throttle Switch Assem	N/A
17	GB/T6187.1986	Nut M6	N/A

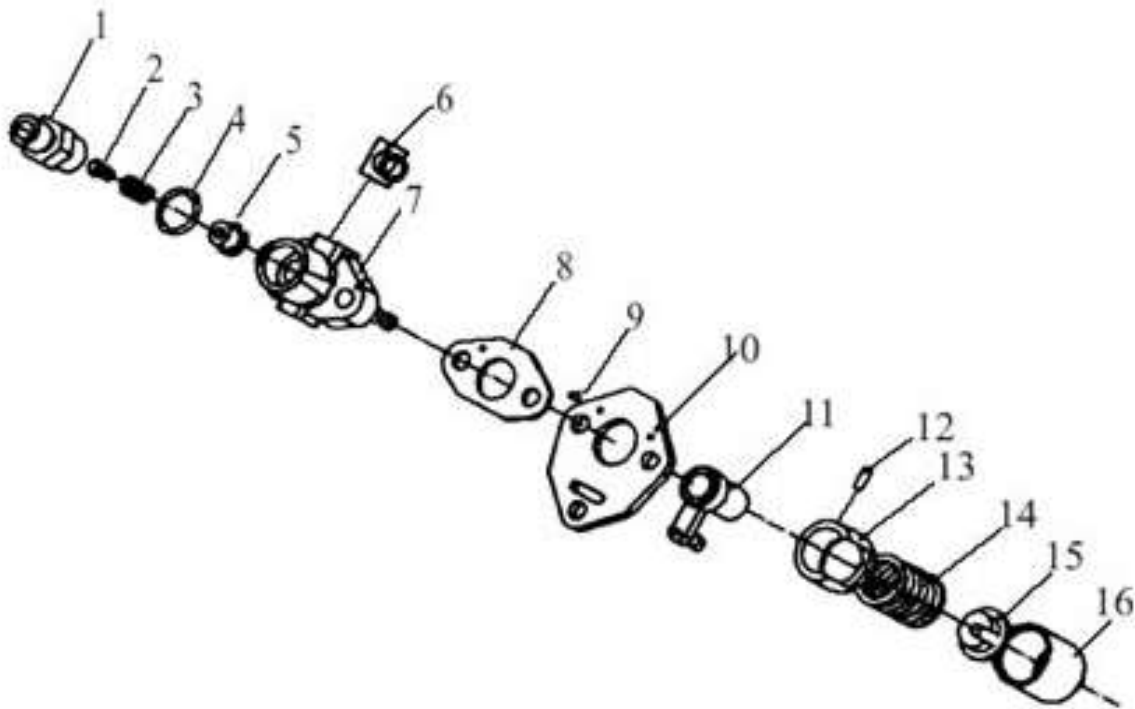
11



(12) Fuel Injection Pump Assem (KM170F-12000)

S.no	Part No	Part Name	
		Fuel Injection Pump Assem	E12-00
1	KM170F-12001	Fuel Delivery Valve Foroing Holder	N/A
2	KM170F-12002	Dumping Block	N/A
3	KM170F-12003	Fuel Delivery Valve Spring	N/A
4	KM170F-12011	High Prossure Sheet Gasket	N/A
5	KM170F	Fuel Delivery Assembly	N/A
6	KM170F-12400A	Fuel Filled Pipe	N/A
7	KM170F	FIP Block Plunger Asem	E12-7
8	KM170F-12400	Adjuting Washer	N/A
9	GB/T879-1986	Pin 2x6	N/A
10	KM170F-12005	FIP Connecting Plate	N/A
11	KM170F-12006	Fuel Limiting Plate	N/A
12	GB/T879-1986	Pin 3x8	N/A
13	KM170F-12007	Support	N/A
14	KM170F-12008	Spring	N/A
15	KM170F-12009	Spring Holder	N/A
16	KM170F-12300A	Tappet	N/A
	170 178-12000	Fuel Injection Pump Assem	N/A

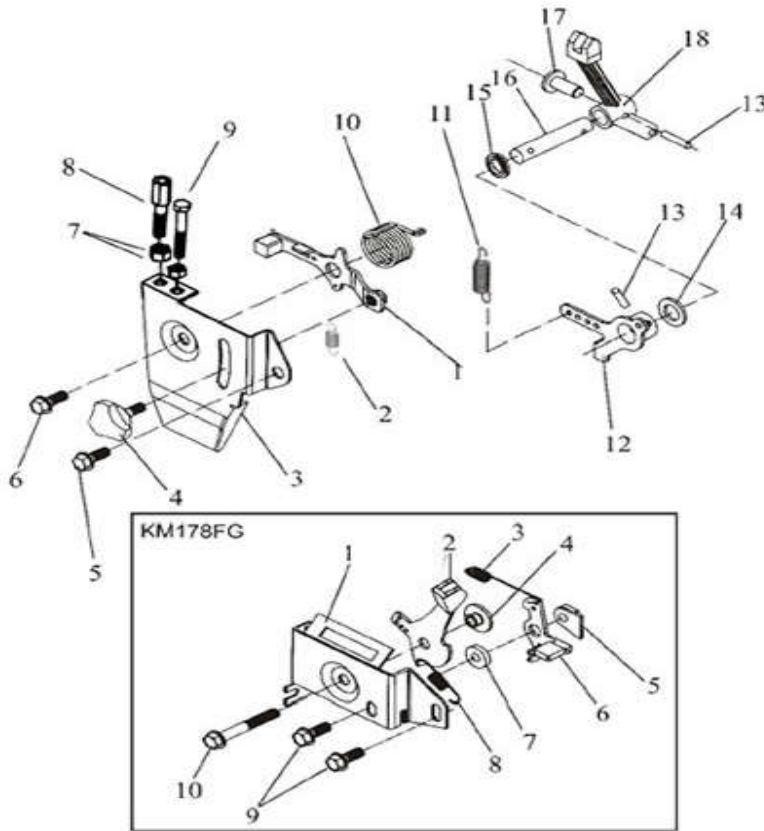
12



(13) Governor & Controller Assem (KM186F-11000)

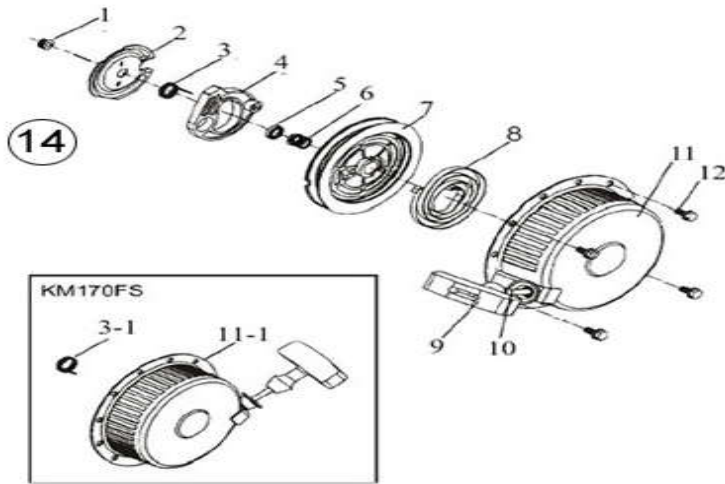
S.no	Part No	Part Name	
1	KM170F-11300	Control Handle	E13-1
2	KM170F-11006	Return Spring II	E13-2
3	KM170F-11400	Control Handle Support	E13-3
4	KM170F-11301	Handle	E13-4
5	GB5789-86	Bolt M6x14	E13-5
6	GB5789-86	Bolt M6x18	E13-6
7	GB/T6172.1-2000	Nut M6	E13-7
8	KM170F-11403	Pull Bolt	E13-8
9	KM170F-11402	High Speed Limit Screw	E13-9
10	KM170F-11005	Return Spring I	E13-10
11	KM170F-11007	Governor Spring	E13-11
12	KM170F-11110	Governor Lever Weldment Assem	E13-12
13	GB/T117-2000	Pin 3x22	E13-13
14	KM170F-11003	Gasket	E13-14
15	KM170F-11008	Lever Shaft Oil Seal	E13-15
16	KM170F-11102	Lever Shaft	E13-16
17	170 178-11104	Governor Push Reel	E13-17
18	KM170F-11101	Fork	E13-18
KM178FGW-11000			
1	KM178FG-11302	Control Handle Support	N/A
2	KM178FG-11301	Control Handle	N/A
3	KM178FG-11305	Return Spring I	N/A
4	KM178FG-11303	Control Handle Shaft	N/A
5	KM178FG-11400	Retainer Weldment Assem	N/A
6	KM186FGW-11007	Engine Shutoff Handle	N/A
7	KM178FG-11006	Sheat	N/A
8	KM178F-11006	Return Spring II	N/A
9	GB/T5786-1986	Bolt M6x16	N/A
10	GB/T5782-2000	Bolt M6x25	N/A

13



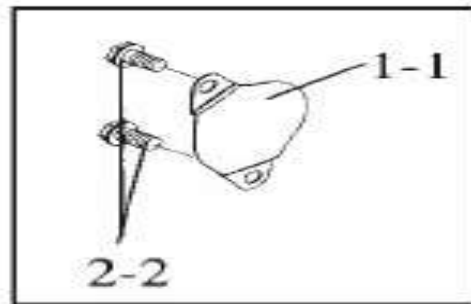
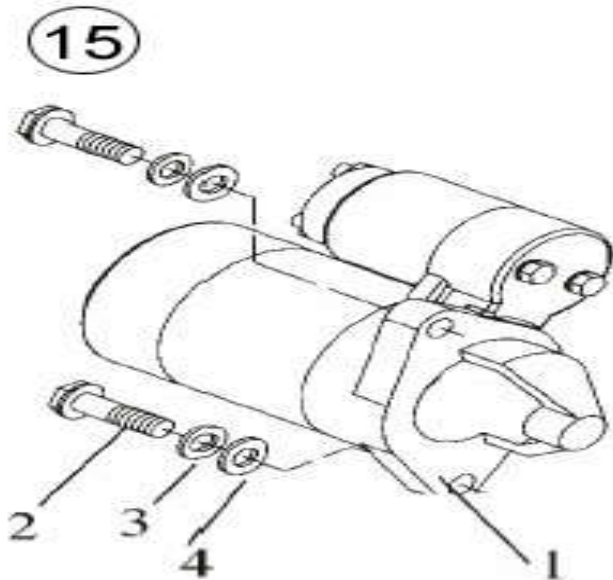
(14) Recoil Starting Assem (KM170F-14000)

S.no	Part No	Part Name	
		Starter Assy	E14-00
1	GB/T6187-1986	Locking Nut M6	E14-01
2	KM170F-14006	Friction Reel	E14-02
3	KM170F-14005	Return Spring	E14-03
3-1	KM170FS-14005	Return Spring	N/A
4	KM170F-14001	Ratchet	E14-04
5	KM170F-14011	Spring Cover	E14-05
6	KM170F-14002	Scompression Spring	E14-06
7	KM170F-14012	Starter Reel	E14-07
8	KM170F-14009	Spiral Spring	E14-08
9	KM170F-14007	Starter Handle	E14-09
10	KM170F-14008	Starter Roop	E14-10
11	KM170F-14100	Outer Case Assem	E14-11
11-1	KM170FS-14100	Outer Case Assem	N/A
12	GB/T5789-1986	Bolt M6x8	E14-12



(15) Starter Motor Assem

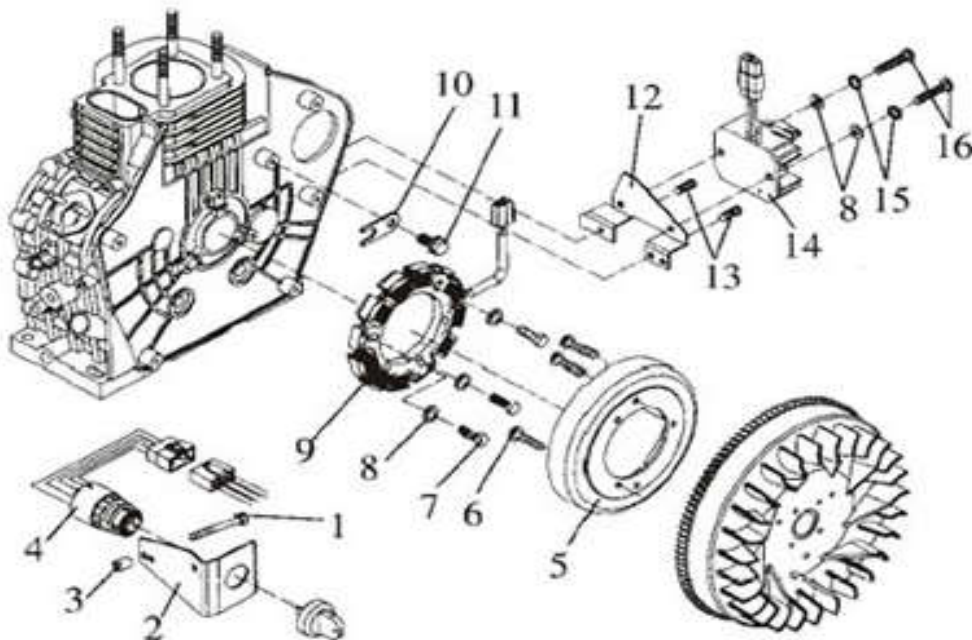
S.no	Part No	Part Name	
1	KM170F-15100	Starting Motor Assem	N/A
	KM170FS-15100	Starting Motor Assem	N/A
1-1		Engine Motor Hole Cover Board	N/A
2	GB5789-86	Bolt M10x30	N/A
2-2	GB5789-86	Bolt M10x12	N/A
3	GB93-87	Spring Gasket 10	N/A
4	GB/T97.1-1985	Gasket 10	N/A



(16) Flywheel Generator Assem

S.no	Part No	Part Name	
1	GB/T5789-1986	Bolt M6x70	N/A
2	KM170F-15001	Switch Board Of Electric Starter	N/A
3	KM170F-15002	Long Gasket	N/A
4	KM170F-15200	Statting Key Assem	N/A
5	KM170F-16100	Rotator Assem	N/A
6	GB/T819.1-2000	Screw M6x14	N/A
7	GB/T5782-2000	Bolt M6x20	N/A
8	GB/T97.1-1985	Gasket 6	N/A
9	KM170F-16200	Stator Assem	N/A
10	KM170F-16001	Retainer	N/A
11	GB/T5789-1986	Screw M6x12	N/A
12	KM170F-16301	Support Of Governor	N/A
13	GB/T818-1988	Screw M6x14	N/A
14	KM170F-16400	Volt Regulator Assem	N/A
15	GB/T93-1987	Gasket 6	N/A
16	GB/T818-1988	Bolt M6x14	N/A

(16)



(17) Air Conducted Cover Assem (KM170F-17000)

S.no	Part No	Part Name	
1		Cushion	E17-1
2	KM170F-17100	Fan Cover Weldment Assem	E17-2
	KM170FS-17100	Fan Cover Weldment Assem	N/A
2-1	KM170FA-17100	Fan Cover Weldment Assem	N/A
3		Cushion Sheath	E17-3
4		Sheath	E17-4
5	GB96-85	Gasket 6	E17-5
6	GB5789-86	Bolt M6x22	E17-6

17

