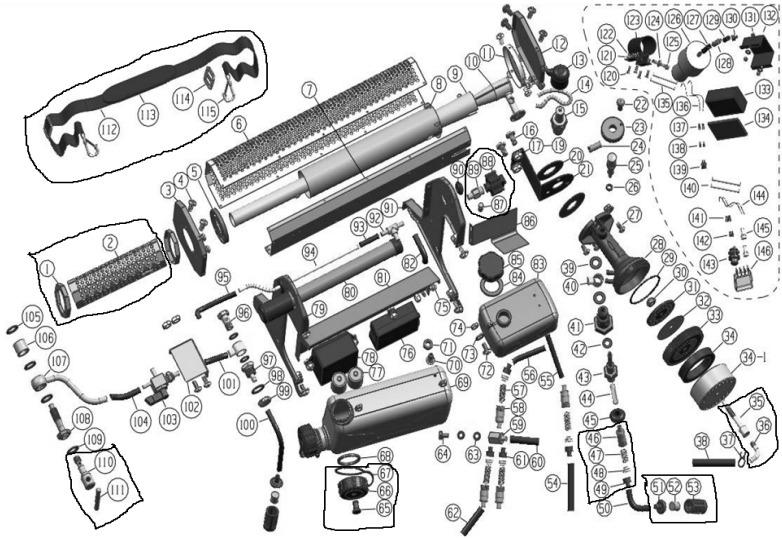


## KK-TF-8625

Part No	Part Name
1	<b>Front Wire Guard Assy</b>
2	
3	Front Holder Outer Wire Guard
4	Screw S T
5	Guide Holder
6	Outer Wire Guard
7	Outer Wire Fix Holder
8	Air Duck Cover
9	Air Duck Long
10	Combustion Chamber
11	Back Plate
12	Back Holder Outer Wire Guard
13	Cap-Spark Plug
14	Burner Tube
15	Spark Plug
16	Screw M6x12-Hex
17	Washer 6-Plain
18	Washer 6-Spring
19	Nut M6-Hex
20	Gasket Carburator
21	Rivet(CARB BRACKET)
22	Pin For Label
23	Adjusting Wheel
24	Hexagonal Fixing Screw
25	Jet Needle
26	O-Ring-Jet Needle
27	Screw M6x20-Hex
28	<b>Carburator</b>
29	O-Ring-Carburator
30	Nut M6-Nylon
31	Valve Board
32	Diaphragm
33	Valve Board Cover
34	Air Filter Sponge
34-1	Muffler
35	<b>Air Connector Bend Assy</b>
36	
37	Hose Clamp
38	Flexible Hose 120 mm
39	Gasket Double Connector
40	Double Connector
41	Throttle Valve Bracket
42	Gasket-Throttle Valve
43	Throttle Valve
44	Fuel Pipe
45	Fuel Pipe Grommet
46	



47	<b>Fuel Pipe Connector Assy</b>
48	
49	
50	Flexible Hose 80 mm
51	<b>Stainer Assy</b>
52	
53	
54	Flexible Hose 85 mm
55	Flexible Hose 120 mm
56	Flexible Hose 80 mm
57	<b>Buy #61 Connector Assy</b>
58	
59	Five Way Connector
60	Flexible Hose 80 mm
61	Connector Assy
62	Flexible Hose 260 mm
63	Gasket Fix Connector
64	Fuel Tank Fix Connector
65	<b>Chemical Tank Lid (Plastic)</b>
66	
67	
65	<b>Chemical Tank Lid (Metal)</b>
68	Gasket Chemical Tank Lid(Plastic)
	Gasket Chemical Tank Lid(Metal)
69	Chemical Tank(Plastic)
69	Chemical Tank(Metal)
70	Chemical Tank Intake Connector
71	Chemical Tank Intake Nut
72	Screw M5x16-Star
73	Washer 5-Plain
74	Nut M5-Nylon
75	Screw M4x10-Star
76	Ignition Coil
77	N/A
78	Battery Holder
79	Left Support
80	Manual Air Pump Assy
81	Engine Board
82	Flexible Hose 180 mm
83	Fuel Tank (Plastic)
83	Fuel Tank (Metal)
84	Gasket-Fuel Tank Lid(Plastic)
	Gasket-Fuel Tank Lid(Metal)
85	Fuel Tank Lid(Plastic)
	Fuel Tank Lid(Metal)
86	Fuel Tank Bracket
87	<b>Pressure Switch Assy</b>
88	
88	
90	Cable-Grommet

91	Right Support
92	Three Way Connector
93	Flexible Hose 100 mm
94	Chemical Discharge Hose
95	Flexible Hose 110 mm
96	Connecting Screw
97	Chemical discharge Connector
98	Gasket-Discharge Connector
99	Hex Nut-Discharge Connector
100	Flexible Hose 180 mm
101	Flexible Hose 120 mm
102	Switch Board
103	Three Way Fuel Switch
104	Flexible Hose 115 mm
105	Gasket-Discharge Tube
106	Chemical Discharge Cover
107	Chemical Discharge Tube
108	Nozzle Body
109	Gasket-Nozzle Core
110	<b>Nozzle Core Assy</b>
111	
112	
112	<b>Shoulder Belt Assy</b>
112	
112	
120	Screw M4x10(CSK)-Star
121	Washer M4-Plain
122	Nut M4
123	Holder-Electric Air Pump
124	Washer 5-Plain
125	Screw M5x35-Hex
126	Electric Air Pump
127	Flexible Hose 70 mm
128	One Way Valve
129	Flexible Hose 100 mm
130	Pump Connector
131	Screw M5x16-Star
132	Battery Guard
133	Battery
134	Sponge Gasket-Battery
135	Insulation Tube(Big)
136	Wire
137	Jacket (Big)
138	Plug Pin (Big)
139	Charging Socket
140	Insulation Tube (Small)
141	Jacket (Small)
142	Plug Pin (Small)
143	Switch On/Off
144	Wire
145	Terminal Connector
146	Relay