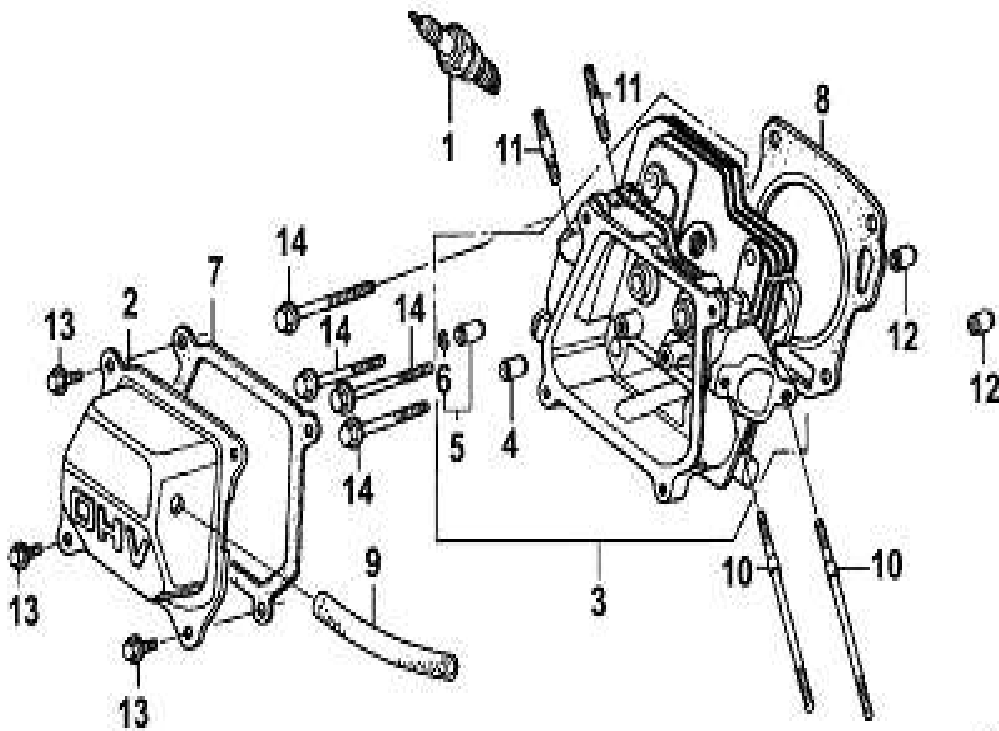


KK-PE4-203

SL-No	KK-No	KK-Name	Qty
1	E3-01	Spark plug	1
2	E3-02	Cylinder head cover	1
3	E3-03	Cylinder head Assy	1
4	E3-04	In. valve guide	1
5	E3-05	Ex. valve guide	1
6	E3-06	Valve guide clip	1
7	E3-07	Gasket Cylinder head cover	1
8	E3-08	Gasket Cylinder head	1
9	E3-09	Air duck/Pipe	1
10	E3-10	Stud Intake Port M6 x 113	2
11	E3-11	Stud Exhaust Port M8 x 32	2
12	E3-12	Set pin 10x14	2
13	E3-13	Bolt M6x12	4
14	E3-14	Bolt M8 x 60,	4

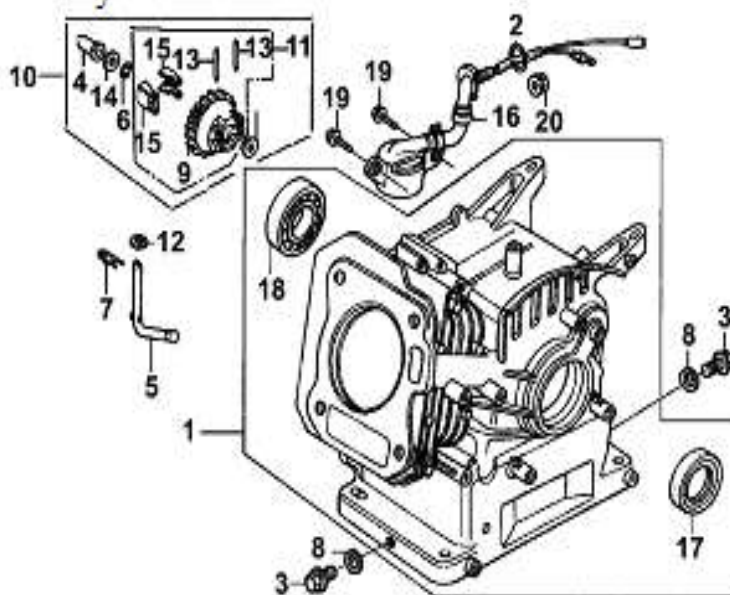
E-03 Cylinder head 缸头组件



KK-PE4-163/203

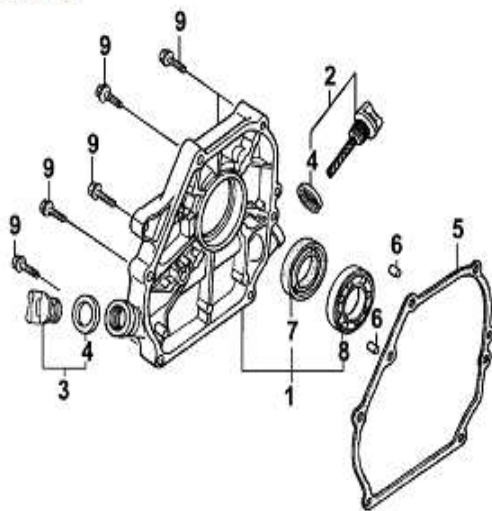
SL-No	KK-No	KK-Name	Qty
1	E4-01	Crankcase Body	1
2	E4-02	O-ring 14mm	1
3	E4-03	Drain bolt	2
4	E4-04	N/A	1
5	E4-05	Sway bar	1
6	E4-06	N/A	1
7	E4-07	Split Clip	1
8	E4-08	Washer Drain bolt	2
9	E4-09	N/A	1
10	E4-10	Centrifugal gear Parts	1
11	E4-11	N/A	1
12	E4-12	Plain washer 6mm	2
13	E4-13	N/A	2
14	E4-14	N/A	1
15	E4-15	N/A	2
16	E4-16	Oil sensor Assy	1
17	E4-17	Oil seal crankcase(25*41.25*6)	1
18	E4-18	Ball Bearing 6205	1
19	E4-19	Bolt M6 x 14	2
20	E4-20	Nut M10	1

E-04 Crankcase assy



SL-No	KK-No	KK-Name	Qty
1	E5-01	Crankcase cover	1
2	E5-02	Oil Gauge	1
3	E5-03	Oil Plug assembly	1
4	E5-04	seal-oil guage	2
5	E5-05	Gasket crankcase	1
6	E5-06	Set pin 8X14	2
7	E5-07	Oil Seal 25x41.25x6	1
8	E5-08	Ball Bearing 6205	1
9	E5-09	Bolt M8 x 30	6

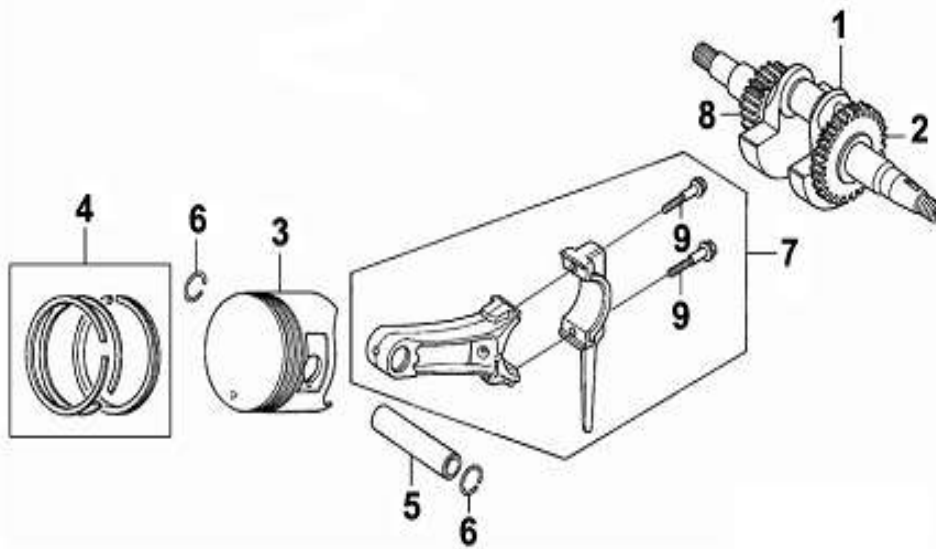
E-05 Crankcase cover



SL-No	KK-No	KK-Name	Qty
1	E6-01	Crankshaft assy	1
2	E6-02	Governer Gear	1
3	E6-03	Piston	1
4	E6-04	Piston Ring Assy	1
5	E6-05	Piston Pin	1
6	E6-06	Clip Piston Pin	2
7	E6-07	Connecting rod assy	1
8	E6-08	Timing Gear	1
9	E6-09	Bolt connecting rod M7x35	2

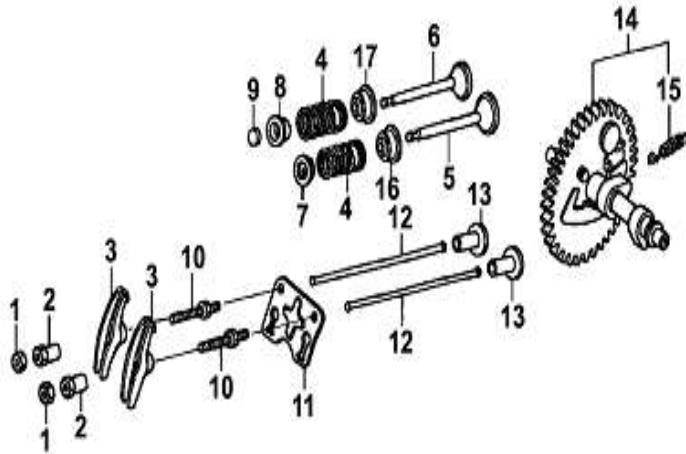
E-06

Crankshaft piston



SL-No	KK-No	KK-Name	Qty
	E7-1,2,3,10	Rocker Assy	1
1	E7-01	Buy Rocker Assy	
2	E7-02	Buy Rocker Assy	
3	E7-03	Buy Rocker Assy	
4	E7-04	Valve Spring	2
5	E7-05	Intake Valve	1
6	E7-06	Exhaust Valve	1
7	E7-07	Spring seat Intake Valve	1
8	E7-08	Spring Seat Exhaust Valve	1
9	E7-09	Cap Exhaust Valve	1
10	E7-10	Buy Rocker Assy	2
11	E7-11	Pusher guide	1
12	E7-12	Pusher	2
13	E7-13	Tappet	2
14	E7-14	Cam Shaft Assy	1
15	E7-15	N/A	1
16	E7-16	N/A	1
17	E7-17	Inlet valve oil seal	1

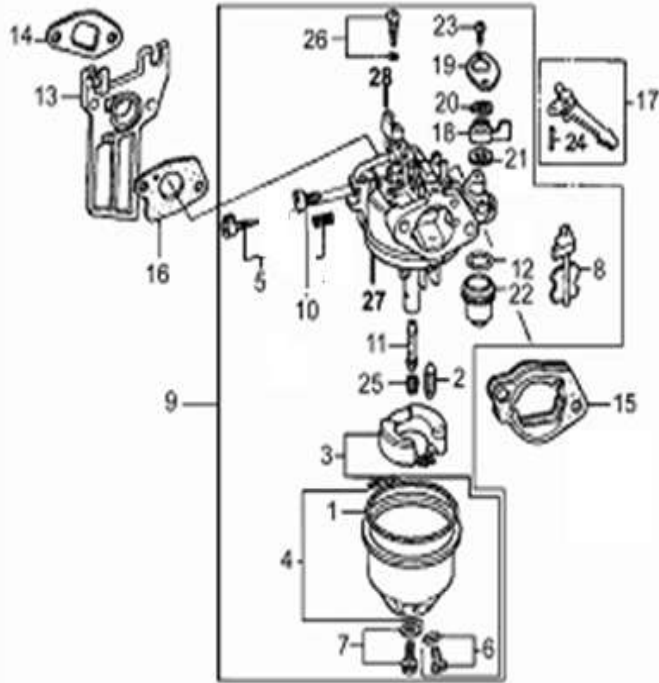
E-07 Cam Shaft



SL-No	KK-No	KK-Name	Qty
1	E8-01	Rubber seal (Fuel cup)	1
2	E8-02	Needle Valve	1
3	E8-03	Fuel Floater	1
4	E8-04	Fuel cup	1
5	E8-05	Adjustment screw Idle speed	1
6	E8-06	Screw(Fuel Cup)	1
7	E8-07	Tighten bolt (Fuel cup)	1
8	E8-08	Chock Valve Assy	1
9	E8-09	Carburetor Assy	1
10	E8-10	Adjustment Screw Assy (mixture ratio)	1
11	E8-11	Main Nozzle	1
12	E8-12	O-ring 21x2(Sediment cup)	1
13	E8-13	Block,Carburetor/Insulator	1
14	E8-14	Gasket, inlet port	1
15	E8-15	Steel gasket	1
16	E8-16	Gasket carburetor	1
17	E8-17	Hand grip chock valve assy	1
18	E8-18	Handle Bar Fuel on/off	1
19	E8-19	Upper cover(Fuel on/off)	1
20	E8-20	Spring Washer-(Fuel on/off)	1
21	E8-21	Fuel Valve	1
22	E8-22	Sediment cup	1
23	E8-23	Screw M3x7	2
24	E8-24	N/A	1
25	E8-25	Main jet	1

26	E8-26	Measure hole Assy idel speed	1
27	E8-27	N/A	1
28	E8-28	N/A	1

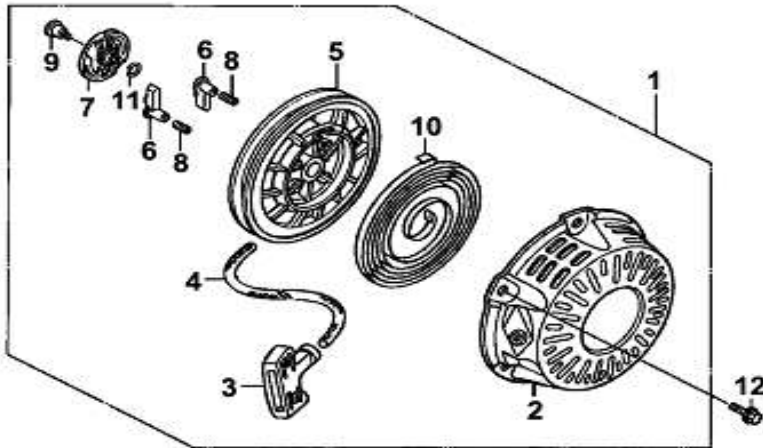
E-08 Carburetor



SL-No	KK-No	KK-Name	Qty
1	E9-01	Recoil Starter Assy	1
2	E9-02	Starter cover	1
3	E9-03	Pulling handle	1
4	E9-04	Rope	1
5	E9-05	Roller/Rope Reel	1
6	E9-06	Ratchet	2
7	E9-07	Ratchet guide	1
8	E9-08	Ratchet Spring	2
9	E9-09	Pivot Bolt	1
10	E9-10	Starter spring	1
11	E9-11	Friction Spring 16x1	1
12	E9-12	Bolt M6x12 Flanged Hex	3

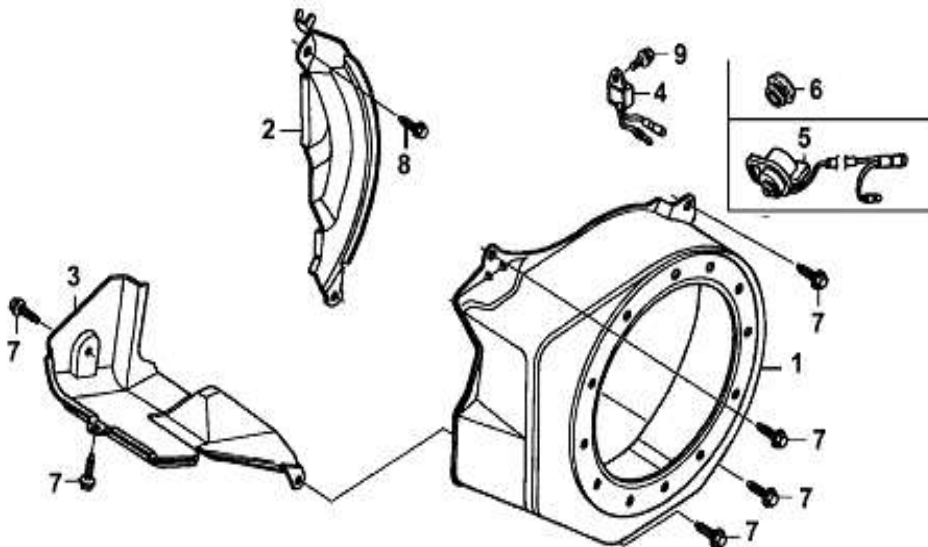
E-09

Recoil starter



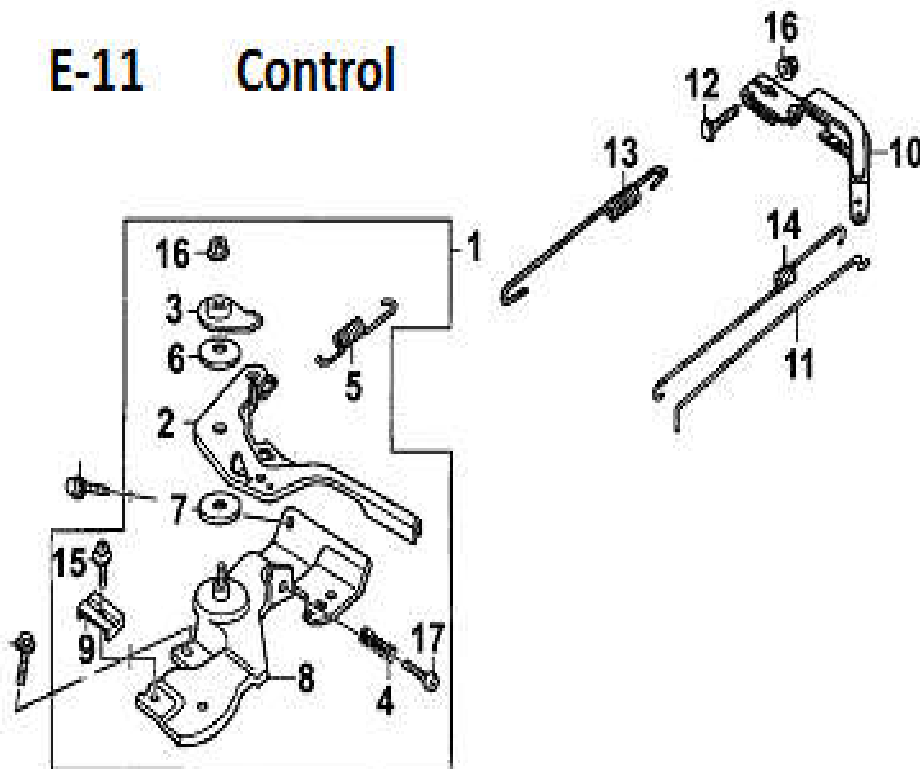
SL-No	KK-No	KK-Name	Qty
1	E10-01	Fan cover	1
2	E10-02	Side Plate	1
3	E10-03	Wind guide	1
4	E10-04	Current Amplifier	1
5	E10-05	Engine switch	1
6	E10-06	N/A	1
7	E10-07	Bolt M6x12 Flanged Hex	6
8	E10-08	Bolt M6 x 20 Flanged Hex	1

E-10 Fan Cover



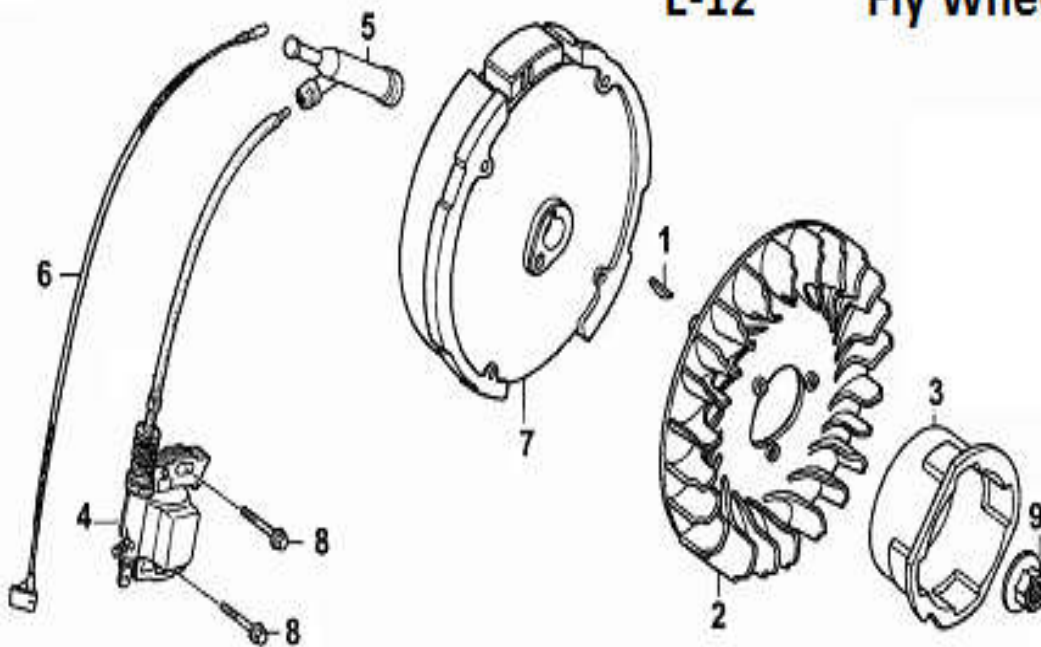
SL-No	KK-No	KK-Name	Qty
1	E11-01	Speed Adjustment Base Ass.	1
2	E11-02	N/A	1
3	E11-03	N/A	1
4	E11-04	Adjustment Spring	1
5	E11-05	Throttle spring	1
6	E11-06	N/A	1
7	E11-07	N/A	2
8	E11-08	N/A	1
9	E11-09	N/A	1
10	E11-10	Speed Adjustment arm	1
11	E11-11	Pulling Rod	1
12	E11-12	Quadrante bolt M6x21	1
13	E11-13	Return Spring	1
14	E11-14	Fine Adjustment Spring	1
15	E11-15	N/A	1
16	E11-16	Nut M6 Flanged Nylon	1
17	E11-17	Adjustment Screw	2

E-11 Control



SL-No	KK-No	KK-Name	Qty
1	E12-01	Woodruft key	1
2	E12-02	Fly Wheel Fan	1
3	E12-03	Starter Sleeve	1
4	E12-04	Ignition Coil Assy	1
5	E12-05	Spark Plug Cap	1
6	E12-06	Stop lead	1
7	E12-07	Fly Wheel Assy	1
8	E12-08	Bolt 6 x 25	2
9	E12-09	Nut M14 Fly wheel Assy	1

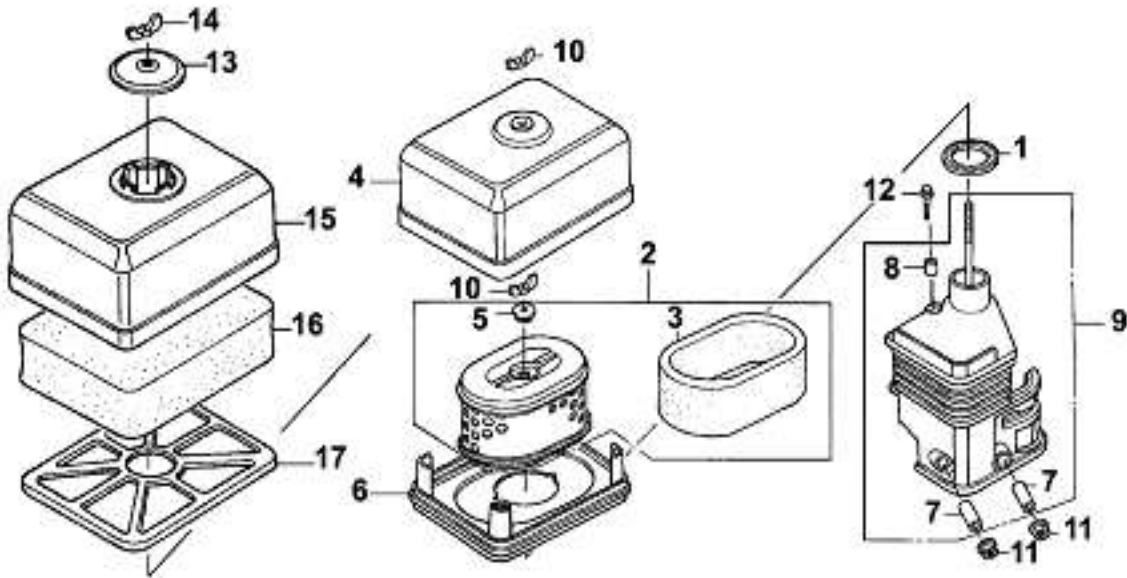
E-12 Fly Wheel



SL-No	KK-No	KK-Name	Qty
	E13	Air Cleaner Assy	1
1	E13-01	Seal Ring 32x47x3	1
2	E13-02	Air Filter Element	1
3	E13-03	N/A	1
4	E13-04	Filter Case	1
5	E13-05	Rubber Fixer	1
6	E13-06	Cover board	1
7	E13-07	N/A	2
8	E13-08	N/A	1

9	E13-09	Air Cleaner Seat Assy	1
10	E13-10	Butter Fly nut M6	2
11	E13-11	Nut M6	2
12	E13-12	ST Screw M4 x 12	1
13	E13-13	N/A	1
14	E13-14	N/A	1
15	E13-15	N/A	1
16	E13-16	N/A	1
17	E13-17	N/A	1

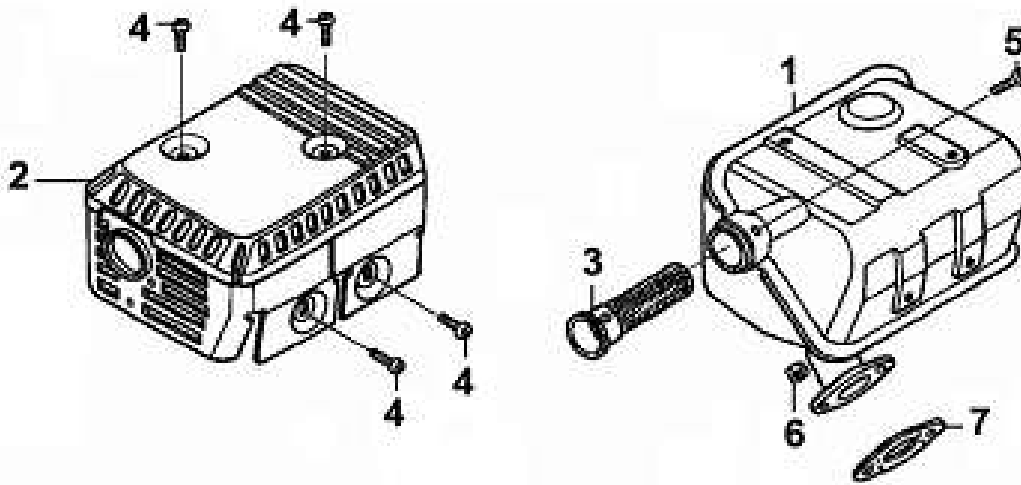
E-13 Air Cleaner



SL-No	KK-No	KK-Name	Qty
1	E14-01	Muffler Assy	1
2	E14-02	N/A	1
3	E14-03	N/A	1
4	E14-04	Screw M5 x 8	4
5	E14-05	N/A	1
6	E14-06	Nut M8	2
7	E14-07	Gasket Muffler	1

E-14

Muffler Comp



SL-No	KK-No	KK-Name	Qty
1	E15-01	Fuel outlet joint	1
2	E15-02	Sleeve Fuel pipe	1
3	E15-03	Fuel tank cap	1
4	E15-04	Gasket Fuel tank Cap	1
5	E15-05	Fuel tank	1
6	E15-06	Fuel Filter	1
7	E15-07	Fuel Tube M4.5×140	1
8	E15-08	Clip Fuel tube	2
9	E15-09	O-ring 14mm(Fuel outlet joint)	1
10	E15-10	Nut M6 Flanged	2
11	E15-11	Bolt M6x30 Flanged Hex	1

E-15

Fuel Tank

