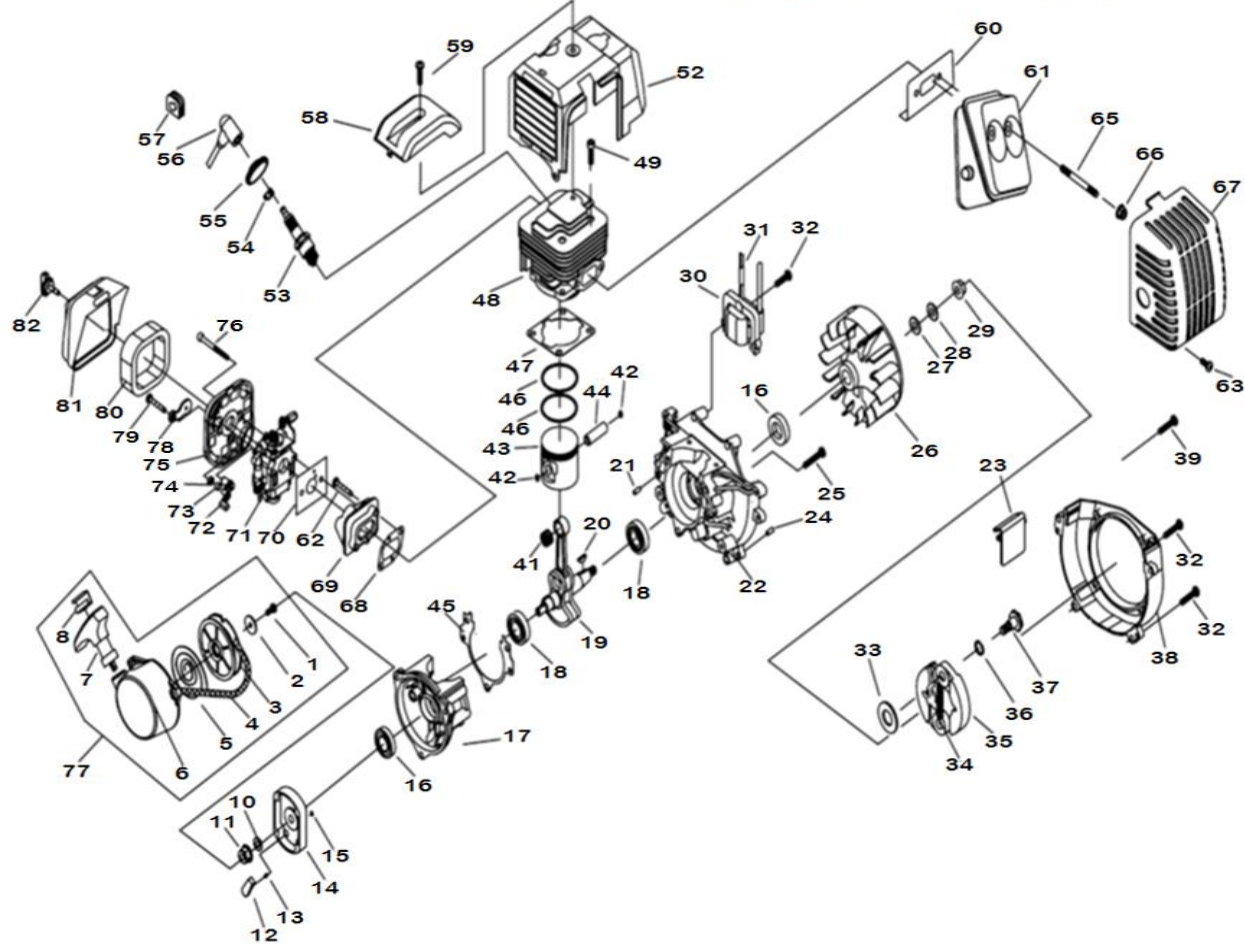


KK-JP-908 ENGINE

S.No	KK-PART NAME
E-1	Screw M5x12 (Rope Real)
E-2	Washer (Rope Real)
E-3	Rope Real
E-4	Starter Rope
E-5	Recoil Spring
E-6	Recoil Starter Body
E-7	Starter Handle
E-8	Gasket Starter Handle
E-9	Screw M4X16 (Star)
E-10	Washer 8
E-11	Nut M8
E-12	Start Claw
E-13	Claw Spring
E-14	Start Real
E-15	Stop Ring 4
E-16	Oil Seal 12X22X7
E-17	Crank Case (Small)
E-18	Bearing 6201/P6
E-19	Crank Shaft
E-20	Key 3x5x13 (Crank Shaft)
E-21	Pin B4x10
E-22	Crank Case (Big)
E-23	Flash Pan
E-24	Pin B4x10
E-25	Screw M5x25 Star/Allen
E-26	Fly Wheel
E-27	Washer 8 (Plain)
E-28	Washer 8 (Spring)
E-29	Nut M8 (Hex)
E-30	Ignition Coil
E-31	Cord Comp (Coil)
E-32	Bolt M5x20 (Hex)
E-33	Washer B (Clutch)
E-34	Spring (Clutch)
E-35	Clutch Shoe Assy
E-36	Washer A (Clutch)
E-37	Clutch Bolt
E-38	Fan Cover
E-39	Bolt M5x16 (HEX)
E-41	Needle Bearing (Piston Pin)

MODEL 3WZ-6C Knapsack Power Sprayer (Gasoline Engine)

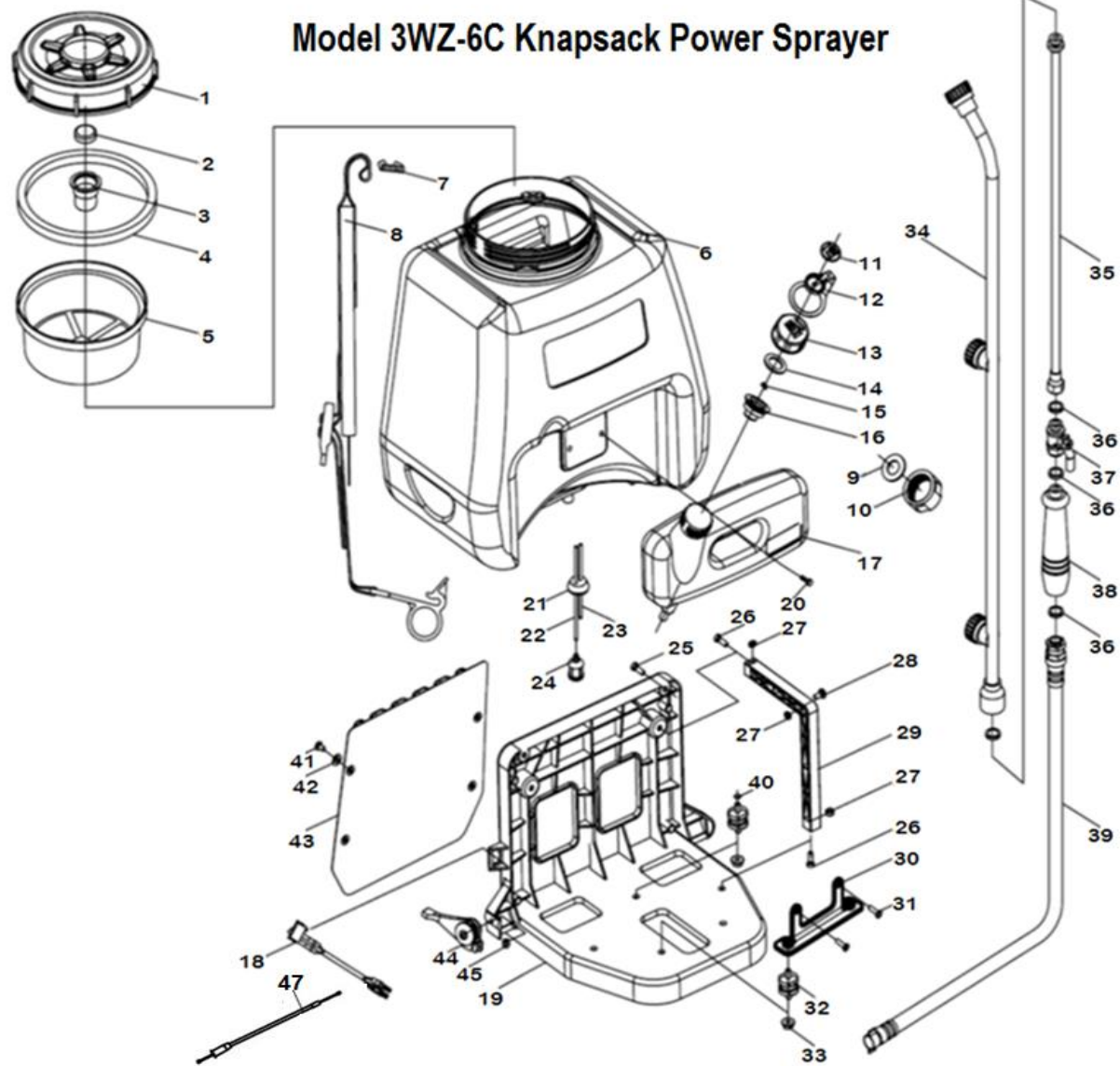


E-42	Circlip (Piston Pin)
E-43	Piston
E-44	Piston Pin
E-45	Gasket (CrankCase)
E-46	Piston Ring
E-47	Gasket (Cylinder)
E-48	Cylinder
E-49	Screw M5x18 (Allen)
E-52	Guide Cover Assy
E-53	Spark Plug
E-54	Spring (Spark Plug)
E-55	Dust Cap
E-56	Cap (Spark Plug)
E-57	Gromment (Plug Wire)
E-58	Cover
E-59	Screw M5x20 (Star)
E-60	Gasket (Muffler)
E-61	Muffler
E-62	Screw M5x20 (Star)
E-63	Screw M5x12 (Star)
E-65	Bolt / Stud (Muffler)
E-66	Nut M5
E-67	Muffler Cover
E-68	Gasket (Insulator)
E-69	Insulator
E-70	Gasket (Carburator)
E-71	Carburator
E-72	Choker Handle
E-73	N/A
E-74	N/A
E-75	Air Cleaner Inside Cover
E-76	Screw M5x50 (Star)
E-77	Starter Assy
E-78	Choker
E-79	Screw ST4.2x12
E-80	Air Cleaner Sponge
E-81	Air Cleaner OutSide Cover
E-82	Screw (Air Filter)

KK-JP-908 BODY

S.No	KK-PART NAME
B-1	Chemical Tank Lid
B-2	RI IV # R-1

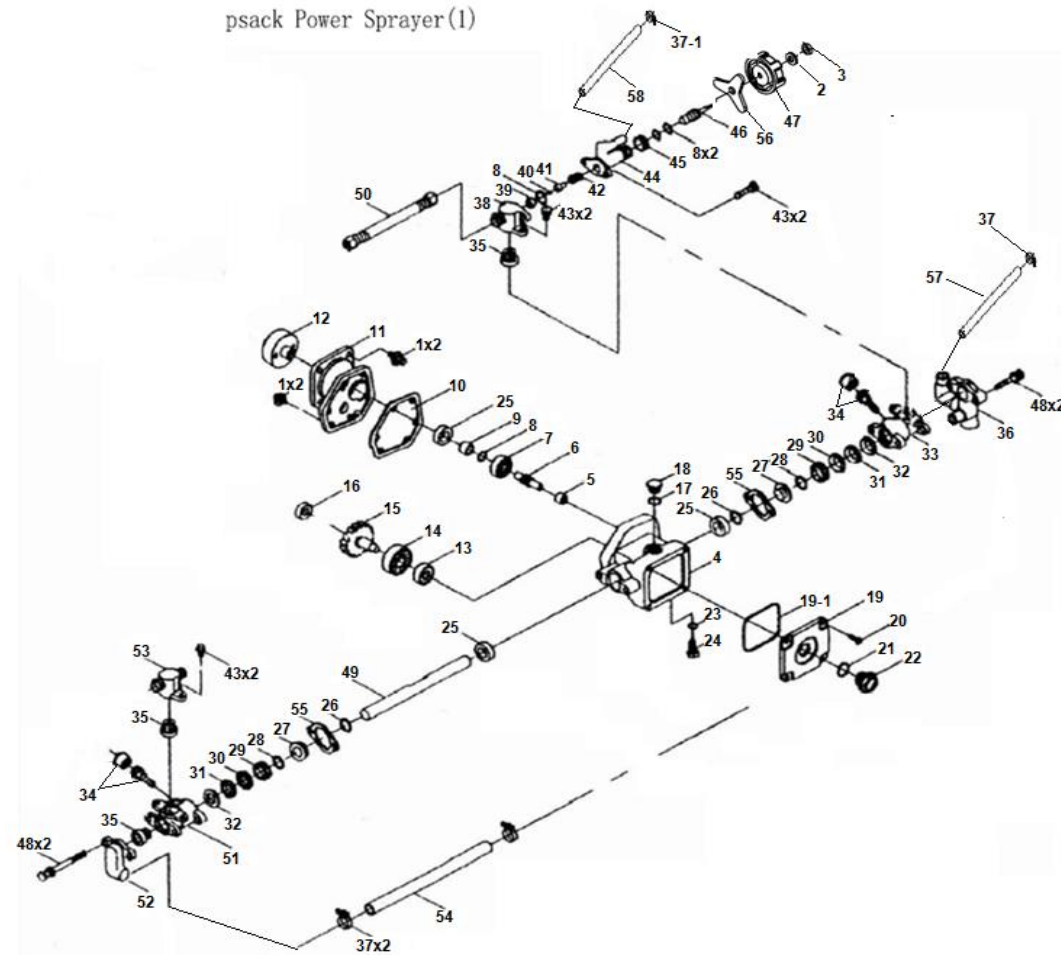
B-3	BUY # B-1
B-4	Gasket (Chemical Tank Lid)
B-5	Strainer (Big) Chemical Tank
B-6	Chemical Tank
B-7	Clip (Shoulder Belt)
B-8	Shoulder Belt
B-9	Gasket (Drain Cap)
B-10	Drain Cap
B-11	BUY # B-13
B-12	
B-13	Fuel Tank Cap
B-14	BUY # B-13
B-15	
B-16	
B-17	Fuel Tank
B-18	Switch On/Off
B-19	Frame
B-20	BOLT M6x16 (Hex)
B-21	Fuel Pipe Groment
B-22	Fuel Pipe Long
B-23	Fuel Pipe Short
B-24	Petrol Filter
B-25	BOLT M6x12 (Hex)
B-26	BOLT M6x16 (Hex)
B-27	NUT M6
B-28	BOLT M6x25 (Hex)
B-29	Support Stand L & R
B-30	Engine Stand
B-31	BOLT M5x16 (Star)
B-32	Joint - S
B-33	NUT M6
B-34	Spray Rod
B-35	Nozzle (3 Hole)
B-36	Packing (Handle / Spray Rod)
B-37	Ball Cock One Way
B-38	Handle (Hose Pipe)
B-39	High Pressure Hose (Big)
B-40	Spacer (Joint-L)
B-41	SCRW ST4.2x16
B-42	WASHER 5 (Plain)
B-43	Rubber Pad
B-44	Flex Accelator
B-45	NUT M5



B-46	Joint - L
B-47	Throttle cable

KK-JP-908 PUMP

	KK-PART NAME
P-1	Screw M6x18-Hex
P-2	Washer 6-Plain
P-3	Nut M6-Nylon
P-4	Crank Case
P-5	Needle Bearing-For Shaft
P-6	Shaft
P-7	Bearing-6201
P-8	'O' Ring-Steel Pipe
P-9	Steel Pipe
P-10	Gasket-Drum Case
P-11	Drum Case
P-12	Clutch Drum
P-13	Bearing-6200
P-14	Bearing-6203
P-15	Gear
P-16	Bearing-608
P-17	'O' Ring-Oil Inlet Bolt
P-18	Oil Inlet Bolt
P-19	Crank Case Cover
P-19-1	'O' Ring -Crank Case Cover
P-20	Screw -Crank Case Cover
P-21	'O' Ring -Oil Glass
P-22	Oil Glass
P-23	'O' Ring -Oil Drain Bolt
P-24	Oil Drain Bolt
P-25	Oil Seal -18x28x8(Plunger)
P-26	'O' ring-Plunger
P-27	Adjusting Ring
P-28	Grease Seal
P-29	Grease Ring
P-30	V-Packing
P-31	N/A
P-32	V-Packing Seat
P-33	Cylinder-Right
P-34	Grease Cup
P-35	Valve Assy
P-36	Suction Chamber-Right



P-37	Clip-L
P-37-1	Clip-S
P-38	Outlet Chamber -Right
P-39	Steel Ball Seat
P-40	Steel Ball
P-41	Pressure Valve Rod
P-42	Relief Valve Spring
P-43	Screw M6x18-Hex
P-44	Relief valve Body
P-45	Brass Nut-Relief Valve
P-46	Relief Valve Screw
P-47	Pressure Adjusting Knob
P-48	Screw M6x75-Hex
P-49	Plunger
P-50	High Pressure Hose -Small
P-51	Cylinder-Left
P-52	Suction Chamber-Left
P-53	Outlet Chamber-Left
P-54	Suction Hose-9"
P-55	Fixed Plane
P-56	Fly Nut
P-57	Suction Hose-5"
P-58	Over Flow Hose