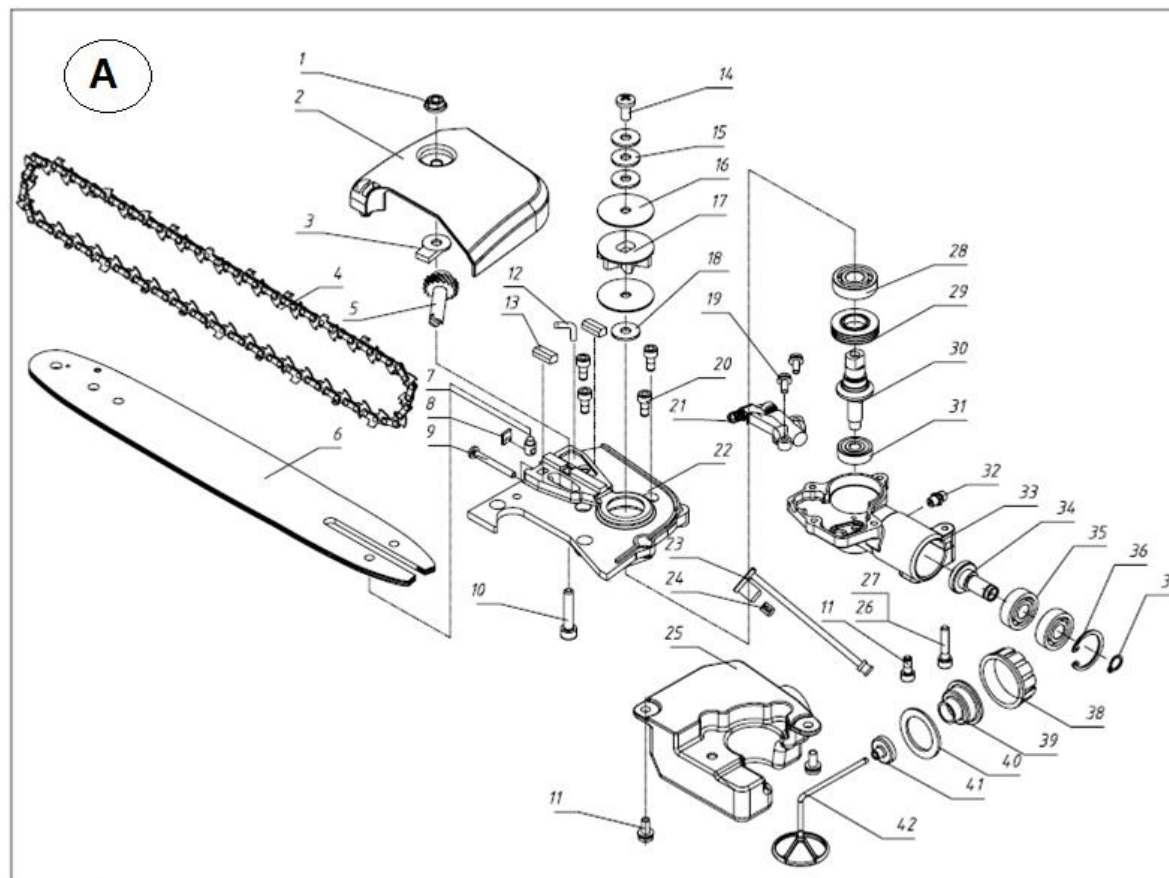


Body KK-PP2-8627		
P.No.	KK-NAME	QTY.
B-A	N/A	
BA-01	Screw M 6x25 (Allen)	1
BA-02	Cover Borad Comp	1
BA-03	Chain wheel adjuster Cover	1
BA-04	ChainJL9-3	1
BA-05	Gear(Adjusting)	1
BA-06	Chain Bar	1
BA-07	Adjust pin	1
BA-08	Fixed Block	1
BA-09	Gear(Adjust Pin)	1
BA-10	Screw M6X30(ALLEN)	1
BA-11	BOLT M5X14 (Star)	2
BA-12	Connecting oil pipe	1
BA-13	Protection Block	2
BA-14	Screw SPL(Sprocket)	1
BA-15	Washer SPL(Sprocket)	3
BA-16	Baffle (Sprocket)	2
BA-17	Chain wheel / Sprocket	1
BA-18	Washer/Spacer	1
BA-19	Screw M4X 12 (Star)	2
BA-20	Screw M5X 12 (Allen)	4
BA-21	Oil Pump Assy	1
BA-22	Box cover (Gear Case)	1
BA-23	Oil Pipe	1
BA-24	Oil Filter	1
BA-25	Oil Tank	1
BA-26	Screw M5X25(Allen)	1
BA-27	Washer 5 Spring	1
BA-28	Bearing 6001-2RS/P5	1
BA-29	Worm	1
BA-30	Right pinion(Big)	1
BA-31	Bearing 627-Z	1
BA-32	Grease Nipple / Oil Cup	1
BA-33	Gear case	1
BA-34	Left pinion (Small)	1
BA-35	Bearing 6000-2RZ/P5	2
BA-36	Stop ring 26 (Inner)	1
BA-37	Stop ring 10 (Outer)	1
BA-38	Oil Tank Lid Assy	1
BA-39	N/A	1
BA-40	Gasket (Fuel tank Lid)	1

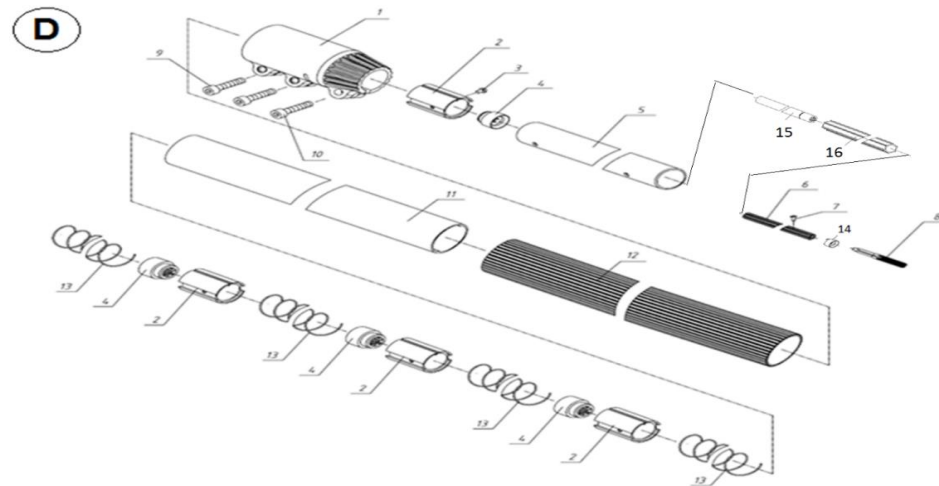
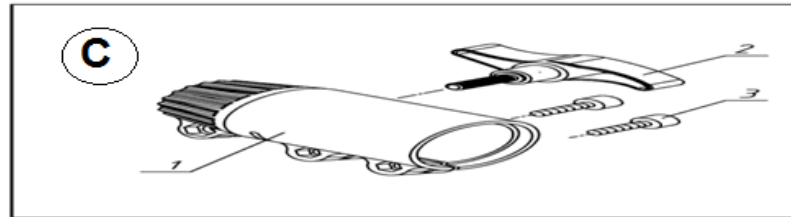
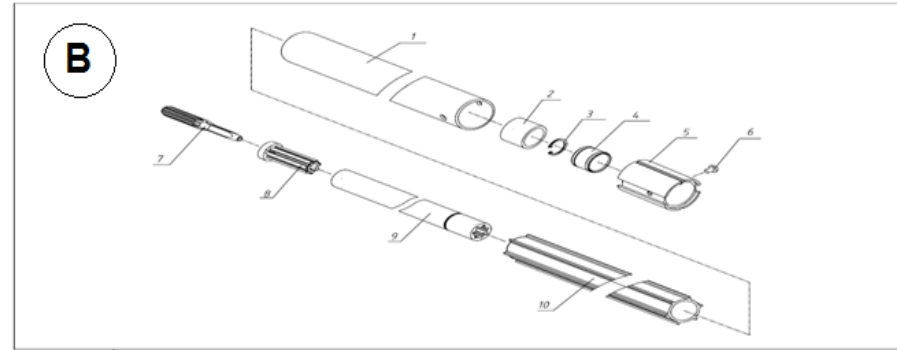


BA-41	N/A	1
BA-42	N/A	1
BA-43		
BA-44		

P.No.		QTY.
B-B	N/A	
BB-01	Front Pipe	1
BB-02	Lip Block	1
BB-03	Stop ring 15	1
BB-04	Shaft Sleeve (1)	1
BB-05	Bearing Ass'y	1
BB-06	Rivet 4X8	1
BB-07	Joint (Front Shaft)	1
BB-08	Rubber Plug (Front Shaft)	1
BB-09	Front Shaft	1
BB-10	Front Shaft Bracing	1
BB-11		

P.No.		QTY.
B-C	Connecting Sleeve Ass'y	
BC-01	N/A	1
BC-02	Handle(Connecting Sleeve)	1
BC-03	Screw M5X20 (Allen)	2

P.No.		QTY.
B-D	N/A	
BD-01	N/A	1
BD-02	Bearing Ass'y (Back Shaft)	4
BD-03	Rivet 4X8 (Back Shaft)	1
BD-04	Shaft Sleeve (2)	4
BD-05	Thin Pipe	1
BD-06	Back Shaft	1
BD-07	Screw ST2. 9 X 6. 5	1
BD-08	Joint(Back Shaft)	1
BD-09	Screw M5X20(Allen)	2
BD-10	Screw M6X20(Allen)	1
BD-11	Thick Pipe	1
BD-12	Rubber Cover (Thick pipe)	1

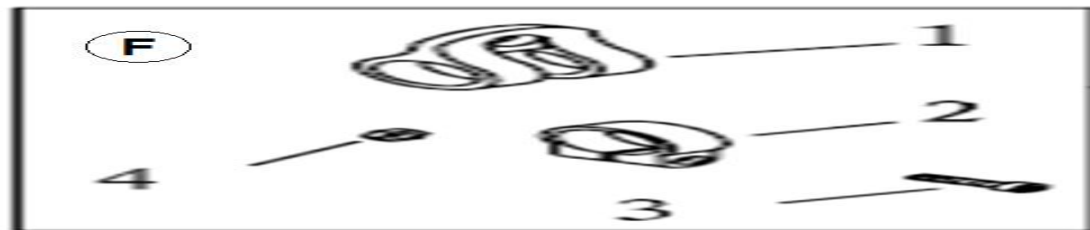
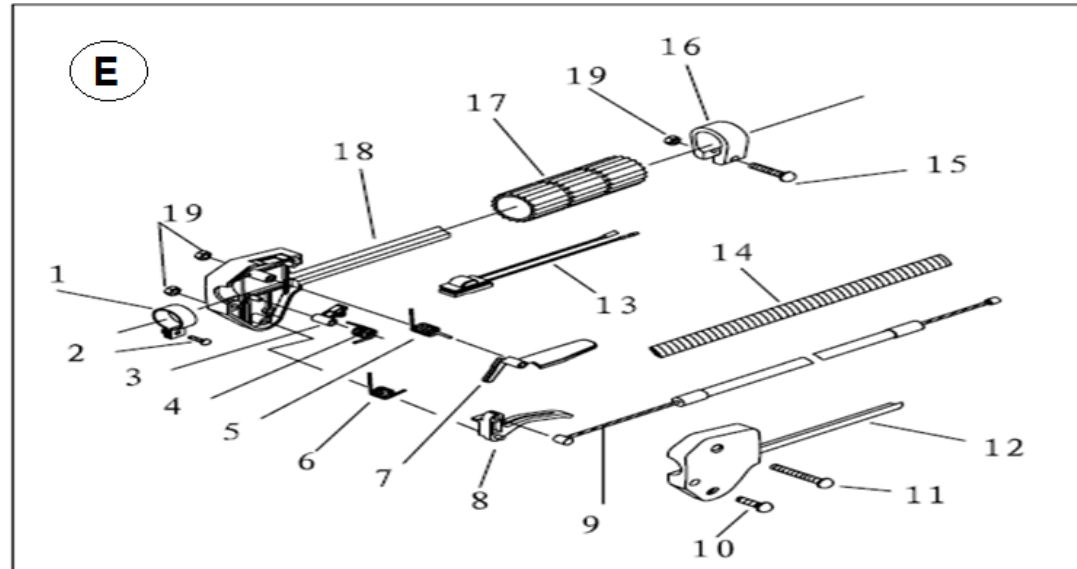


BD-13	Spring (Thick pipe)	4
BD-14	Sleeve(Back Pipe)	1
BD-15		
BD-16	1490mm	
BD-17	Screw-Sleeve(Back Pipe)	

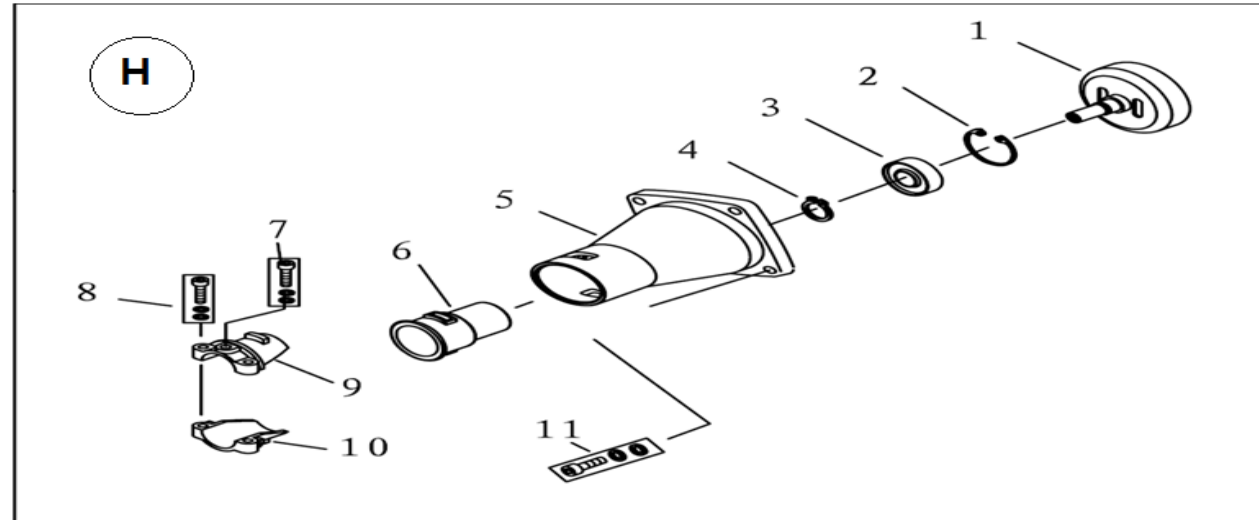
P.No.		QTY.
B-E	Lever Ass'y	
BE-01	Clamp	1
BE-02	N/A	1
BE-03	N/A	1
BE-04	Spring(Tine)	1
BE-05	Spring(Safety Lever)	1
BE-06	Spring(Throttle Lever)	1
BE-07	N/A	1
BE-08	N/A	1
BE-09	Throttle cable	1
BE-10	N/A	2
BE-11	N/A	1
BE-12	N/A	1
BE-13	Stop Switch	1
BE-14	N/A	1
BE-15	N/A	1
BE-16	N/A	1
BE-17	Rubber Cover(Thin Pipe)	1
BE-18	N/A	1
BE-19	N/A	3

P.No.		QTY.
B-F	Holder Ass'y	
BF-01	N/A	1
BF-02	N/A	1
BF-03	N/A	1
BF-04	N/A	1

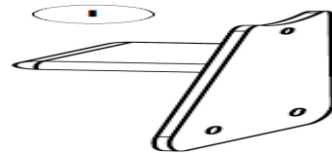
P.No.		QTY.
B-G		1



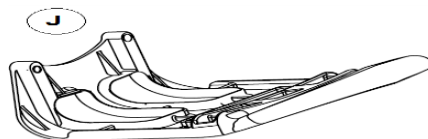
P.No.		QTY.
B-H	Clutch Comp.	
BH-01	Clutch Drum	1
BH-02	Stop Ring 35 (Inner)	1
BH-03	Bearing 6202-2RZ/PE	1
BH-04	Stop Ring 15(Outer)	1
BH-05	Linker	1
BH-06	Rubber Cover(Linker)	1
BH-07	Screw M5X12 (Allen)	1
BH-08	Screw M5X25 (Allen)	2
BH-09	Clamp A	1
BH-10	Clamp B	1
BH-11	Screw M6X20 (Allen)	4
BH-12		
BH-13		



P.No.		QTY.
B-I	Bracket Engine (Small)	1



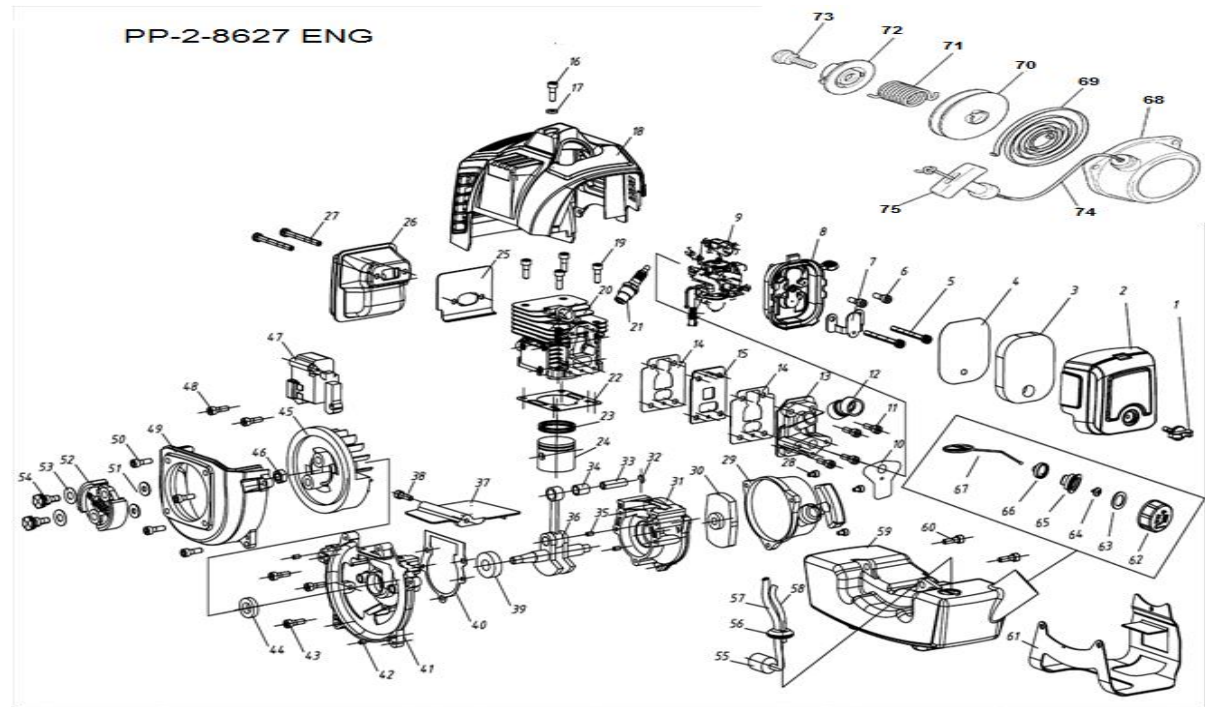
P.No.		QTY.
B-J	Bracket Engine (Big)	1



ENG KK-PP2-8627

P.No		QTY
E-01	screw(air filter)	1
E-02	Air cleaner Outside Cover	1
E-03	Air cleaner sponge	1
E-04	Baffle (Big)	1
E-05	Screw M5x60 (Allen)	2
E-06	Screw M5x12 (Allen)	2
E-07	Baffle (small)	1
E-08	Air cleaner Inside Cover	1
E-09	Carburetor	1

E-10	Gasket (Carburetor)	1
E-11	Screw M5x25 (Allen)	4
E-12	Pipe (Breather)	1
E-13	Insulator	1
E-14	Gasket (Insulator)	2
E-15	Reed Valve	1
E-16	Screw M5x14 (ALLEN)	1
E-17	Gasket (Guide Cover)	1
E-18	Guide Cover Assy	1
E-19	Screw M5x18 (Allen)	4
E-20	Cylinder	1
E-21	Spark Plug	1
E-22	Gasket (Cylinder)	1
E-23	Piston Ring	2
E-24	Piston	1
E-25	Gasket (Muffler)	1
E-26	Muffler	1
E-27	Screw M5x65 (Allen)	2
E-28	Screw M4x20 (Allen)	3
E-29	Starter Assy	1
E-30	Start Reel	1
E-31	Crank Case (small)	1
E-32	Piston Pin Circlip	2
E-33	Piston Pin	1
E-34	Neddle Bearing (Piston Pin)	1
E-35	Pin 4 H8x10 Crankcase)	2
E-36	Crank Shaft Assy	1
E-37	Clap Board	1
E-38	Screw M5x12 (Allen)	1
E-39	Ball Bearing 6001/P6	2
E-40	Gasket Crank Case	1
E-41	Crank Case (Big)	1
E-42	Pin 4 H8x10 (Fan Copver)	2
E-43	Screw M4x20 (Allen)	3
E-44	Oil Seal (Crank Shaft)	2
E-45	Fly Wheel	1
E-46	Nut M8 (Flanged)	1
E-47	Ignition Coil	1
E-48	Screw M5x20 (Allen)	2
E-49	Fan cover	1
E-50	Screw M5x18 (Allen)	4
E-51	Washer-B	2
E-52	Clutch shoe assy	1
E-53	Washer -A	2



E-54	Clutch bolt	2
E-55	Petrol filter	1
E-56	Fuel pipe grommet	1
E-57	Fuel Pipe (Big)	1
E-58	Fuel Pipe (Small)	1
E-59	Fuel Tank	1
E-60	Screw M5x16 (Allen)	2
E-61	N/A	1
E-62	Fuel Tank lid assy	1
E-63	Gasket (Fuel Tank lid)	1
E-64	BUY # 62	1
E-65		1
E-66		1
E-67		1
E-68	Starter Cover	1
E-69	Recoil Spring	1
E-70	Rope Reel	1
E-71	Ratchet Spring	1
E-72	Ratchet Starter	1
E-73	Screw -Ratchet	1
E-74	Starter Rope	1
E-75	Starter Handle	1