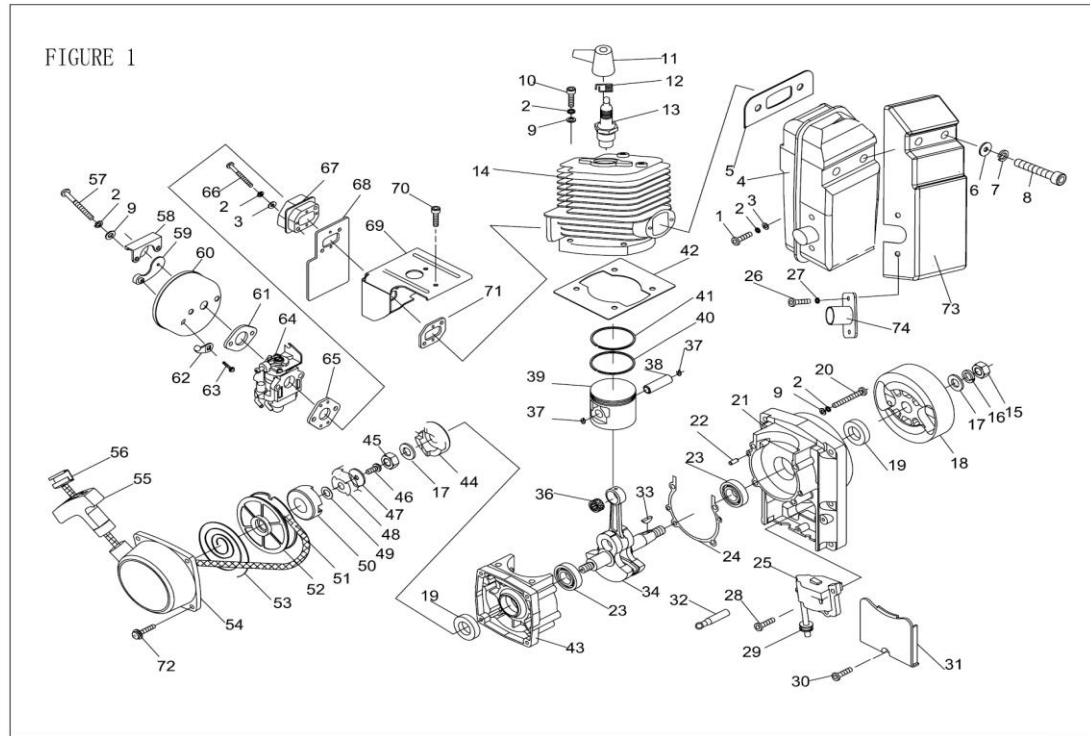


ENG

KK - LBV-650

| PART.NO | | KK-PART LIST |
|---------|-------------------|---------------------------|
| E-01 | GBfT70.1 M6X16 | Bolt M6x16 (Allen) |
| E-02 | GB93 6 | Washer 6 Spring |
| E-03 | GB97.1 6 | Washer 6 Plain |
| E-04 | 1E48FP-E.3 | Muffler |
| E-05 | EB-650-E-1 | Muffler Gasket |
| E-06 | GB97.1 6 | Washer 6 Plain |
| E-07 | GB93 6 | Washer 6 Spring |
| E-08 | GBm0.1 M6X75-10.9 | Bolt M6X75-10.9 (Allen) |
| E-09 | | Washer 6 Plain |
| E-10 | GBfT70.1 M5X20 | Bolt M5x20 (Allen) |
| E-11 | 1E46FP.1-1 | Cap Spark Plug |
| E-12 | 1E40F-3A.8-2 | Spring Spark Plug |
| E-13 | BPMR7A | Spark Plug |
| E-14 | 1E48FP-E-1 | Cylinder |
| E-15 | GB6171 M10X1.25 | Nut M10X1.25(Fly Wheel) |
| E-16 | GB93 10 | Washer 10 Spring |
| E-17 | GB97.1 10 | Washer 10 Plain |
| E-18 | 1E46FP.1.1 | Fly Wheel |
| E-19 | 1E40FP-3Z-11 | Oil Seal 15x25x7 |
| E-20 | GBfT70.1 M5X35 | Bolt M5x35 (Allen) |
| E-21 | 1E48FP-E.2-1 | Crankcase (Big) |
| E-22 | GB119 B4X10 | Pin Crankcase |
| E-23 | GBfT276 6302/P5 | Bearing 6202 |
| E-24 | 1E48FP.6-2 | Gasket Crankcase |
| E-25 | 1E46FP.1.1 | Ignition Coil |
| E-26 | GB818 M4X6 | Screw M4x6 (star) |
| E-27 | GB93 4 | Washer 4 Spring |
| E-28 | GBfT9074.13 M4X20 | Bolt M4x20(Hex) |
| E-29 | 1E46FP.1-3 | Grommet (Coil) |
| E-30 | GBfT9074.4 M5X20 | Bolt M5x20(Star) |
| E-31 | 1E46FP-2 | Retainer |
| E-32 | 1E48FP.4.1 | Stop Wire |
| E-33 | GB1099 3X13 | Key 3x13 (Crank Shaft) |
| E-34 | 1E48FP-E.1.1 | Crankshaft |
| E-35 | | |
| E-36 | 1E44F-2A.2-3 | Needle Bearing Piston Pin |
| E-37 | 1E40F-03.02.01 | Circlip Piston Pin |
| E-38 | 1E48FP.5-2 | Piston Pin |
| E-39 | 1E48FP-E.1-1 | Piston |
| E-40 | 1E48FP.5-4 | Piston Ring (2) |
| E-41 | 1E48FP.5-3 | Piston Ring (1) |



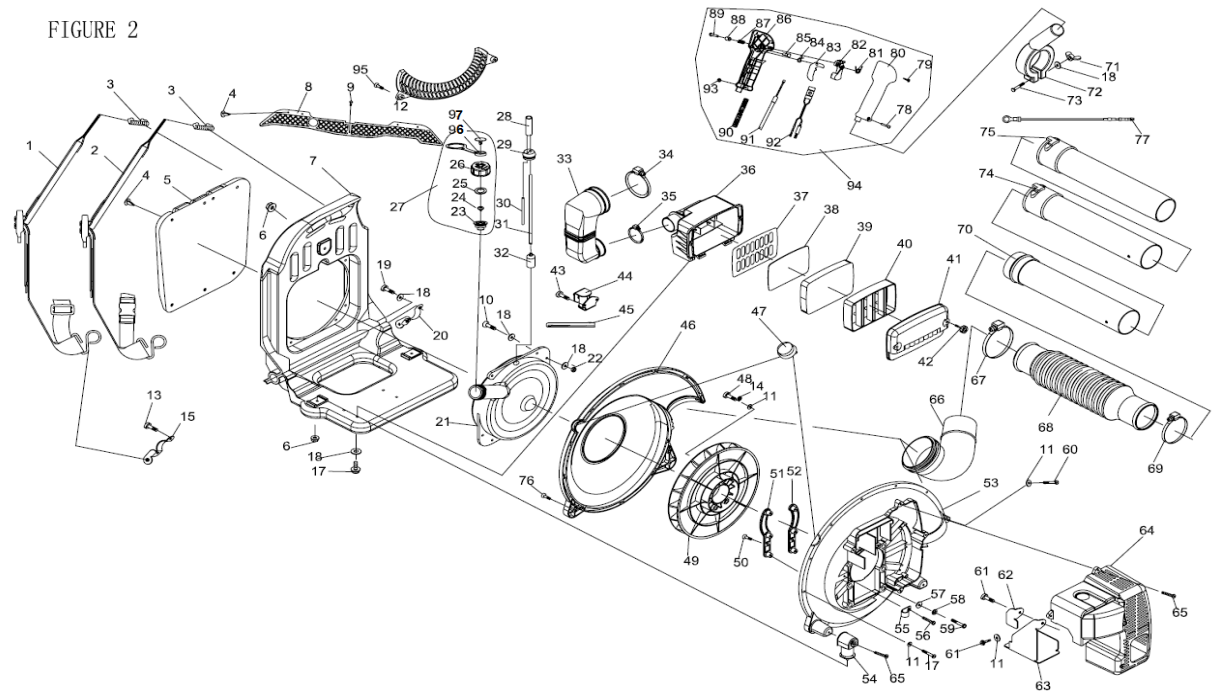
| | | |
|------|------------------|--------------------------|
| E-42 | 1E48FP-10 | Gasket (Cylinder) |
| E-43 | 1E48FP-E.2-2 | Crankcase (Small) |
| E-44 | 1E40FP-3Z-19 | Starter Reel |
| E-45 | 1E40FP-3Z-16 | Nut -M 10 (Hex) |
| E-46 | GB67 M5X12 | Screw (Starter) |
| E-47 | 1E40FP-3Z.4-4 | Washer Plain(Starter) |
| E-48 | 1E40FP-3Z.4-5 | Guide Slice |
| E-49 | GB860 8 | Washer Wave(Starter) |
| E-50 | 1E40FP-3Z.4-8 | Start Wheel |
| E-51 | 1E40FP-3Z.4-9 | Rope |
| E-52 | 1E40FP-3Z.4-6 | Rope Reel/pulley |
| E-53 | 1E40FP-3Z.4-7 | Recoil Spring |
| E-54 | 1E40FP-3Z.4-1 | Case (Starter) |
| E-55 | 1E40FP-3Z.4-2 | Handle (Starter) |
| E-56 | 1E40FP-3Z.4-10 | Pack (Handle) |
| E-57 | GBfT70.1 M5X50 | Screw M5x50(Star) |
| E-58 | 1E48FP-8 | Baffle |
| E-59 | 1E48FP.3-2 | Chocker |
| E-60 | 1E48FP.3-1 | Check(Inside Cover) |
| E-61 | 1E48FP-7 | Gasket (Air Cleaner) |
| E-62 | 1E48FP.3-3 | Handle (Choker) |
| E-63 | GB845 ST2.9X8.5 | Screw ST2.9x8.5 (Choker) |
| E-64 | 1E48FP-E.4 | Carburator |
| E-65 | 1E48FP-6 | Gasket (Carburator) |
| E-66 | GBfT70.1 M5X30 | Screw M5x30 (star) |
| E-67 | 1E48FP-5 | Insulator |
| E-68 | 1E48FP-4 | Gasket (Insulator) |
| E-69 | 1E48FP-9 | Guide Air Plate |
| E-70 | GBfT9074.4 M5X10 | Screw M5x10(Star) |
| E-71 | 1E48FP-3 | Gasket (Guide Air Plate) |
| E-72 | GBfT9074.4 M5X20 | Screw M5x20(Star) |
| E-73 | 1E48FP-E.5 | Cover (Big) Muffler |
| E-74 | 1E48FP-E.6 | Cover (Small) Muffler |
| E-75 | | Starter Assy |

BODY

KK - LBV-650

| PART.NO | Part NO. | |
|---------|---------------|------------------|
| B-01 | EB-650.10 (B) | LEFT BAND |
| B-02 | EB-650.10 (A) | RIGHT BAND |
| B-03 | EB-650-10 | Belt buckle |
| B-04 | 3WF-2.6B-2 | BACK CLIP |
| B-05 | EB-650.11 | BACK MAT |
| B-06 | GB6177.1 M5 | Nut M-6(Flanged) |
| B-07 | EB-650.1-2 | FRAME |

| | | |
|------|------------------|---------------------------|
| B-08 | EB-650-11 | Protect Net (Upper) |
| B-09 | GB645 ST4.2X14 | Screw ST4.2X14 |
| B-10 | GB818 M5X25 | Screw M5x25(Star) |
| B-11 | GB97.1 5 | Washer 5 Plain |
| B-12 | EB-650-12 | Protect Net(Lower) |
| B-13 | GBfT9074.4 M5X30 | Bolt M5x30(Star) |
| B-14 | GB859 5 | Washer 5 Spring |
| B-15 | EB-650.1-1 | LEFT LOOP |
| B-16 | | N/A |
| B-17 | GB818 M5X16 | Bolt M5x16 (Star) |
| B-18 | GB96 5 | Washer 5 Plain |
| B-19 | GBfT818 M5X20 | Bolt M5x20(Star) |
| B-20 | EB-650.1-4 | RIGHT LOOP |
| B-21 | EB-650.3-1 | FUEL TANK |
| B-22 | GB6170 M5 | Nut M5 (Flanged) |
| B-23 | 1E32FL.6.2-2 | N/A |
| B-24 | EB-415.4.1.1-1 | N/A |
| B-25 | CG420.1.3.1 | Gasket (Fuel Tank Lid) |
| B-26 | EB-650-CE.1-1 | N/A |
| B-27 | EB-415.4.1 | Fuel Tank Lid Assy |
| B-28 | EB-650.3-2 | Sleeve Fuel Pipe |
| B-29 | EB-415.4.2-2 | Grommet Fuel Pipe |
| B-30 | GBfT13527.1 LS-3 | Fuel Pipe Short |
| B-31 | GBfT13527.1 LS-2 | Fuel Pipe Long |
| B-32 | 1E34F.9.2-3D | Petrol Filter |
| B-33 | EB-650-1 | Pipe (Air Cleaner) |
| B-34 | NO.(<t46-<t70) | Clip Big (Air Cleaner) |
| B-35 | NO.(<t32-<t50) | Clip Small (Air Cleaner) |
| B-36 | EB-650.5.2 | Air CLEANER INSIDE COVER |
| B-37 | EB-650.5.1 | Plate (Air Cleaner) |
| B-38 | EB-650.5-4 | Element (Thin) |
| B-39 | EB-650.5-3 | Element (Thick) |
| B-40 | EB-650.5-2 | Fram (Air Cleaner) |
| B-41 | EB-650.5-1 | Air CLEANER OUTSIDE COVER |
| B-42 | EB-650.5.3 | Screw (Air Cleaner) |
| B-43 | GB9074.4 M5X14 | Screw M5x14(Star) |
| B-44 | EB-650.8 | RUBBER PILLAR |
| B-45 | EB-650.9 | SAFTYBELT |
| B-46 | EB-650.2.3 | Volute Case(Frame Side) |
| B-47 | EB-650.2-1 | PLUG(Volute Case) |
| B-48 | GBfT70.1 M5X35 | Bolt M5x35(Allen) |
| B-49 | EB-650.2.1 | IMPELLER |
| B-50 | GB845 ST4.8X16 | Screw ST4.8x16 |
| B-51 | EB-650.2.2-2 | LEFT LINK PLATE |
| B-52 | EB-650.2.2-1 | RIGHT LINK PLATE |
| B-53 | EB-650.2.2 | Volute Case(Engine Side) |
| B-54 | EB-650.6 | Support/Bedding |
| B-55 | EB-650-2 | Bracket (coil Wire) |
| B-56 | 3WF-20.9-1 M5X1C | Screw ST M5x1C |
| B-57 | GB97.1 6 | Washer 6 Plain |
| B-58 | GB859 6 | Washer 6 Spring |



| | | |
|------|-------------------|-----------------------------|
| B-59 | GB70.1 M6X35 | Screw M6x35(Allen) |
| B-60 | GB818 M5X55 | Screw M5x55 (Star) |
| B-61 | GB845 ST4.2X9.5 | Screw ST4.2x9.5 |
| B-62 | EB-650-8 (A) -1 | Gasket Metal (Guide Cover) |
| B-63 | EB-65()-8 (A) -2 | Gasket(Guide Cover) |
| B-64 | EB-650-8 | Protection / Guide Cover |
| B-65 | 3WF-20.9-2 M5X16 | Screw ST M5x16 |
| B-66 | EB-650.7-1 | Pan Joint/Hose Bend |
| B-67 | NO. (ϕ78-ϕ101) | Clip Big (Flexible Hose) |
| B-68 | EB-650.7-2 | Hose (Flexible) |
| B-69 | NO. (ϕ59-ϕ82) | Clip Small (Flexible Hose) |
| B-70 | EB-650.7.1 | Pipe (1) |
| B-71 | GB62 M6 | Nut M6 (Wing) |
| B-72 | EB-650.7.2-1 | Handle |
| B-73 | GB5783 M6X45 | Screw M6x45 (Hex) |
| B-74 | EB-650.7 | Pipe (2) |
| B-75 | EB-65()-E.5-1 | Pipe (3) |
| B-76 | EB-650.7.2(A)-1 | Screw ST |
| B-77 | 3WF-16.5 | Earth Line |
| B-78 | GBfT70.1 M5X30 | Screw M5x30 (Star) |
| B-79 | GBfT645 ST2.9X18 | Screw ST2.9X18 |
| B-80 | BL750.3-5 | N/A |
| B-81 | BL750.3-1 | Long Spring |
| B-82 | BL750.3-4 | N/A |
| B-83 | BL750.3-3 | N/A |
| B-84 | BL750.3-2 | SPRING (Throttle Lock) |
| B-85 | BL750.3-8 | N/A |
| B-86 | BL750.3-6 | N/A |
| B-87 | BL750.3-7 | Spring (Push Button) |
| B-88 | BL750.3-9 | N/A |
| B-89 | GBfT846 ST2.9X13 | Check Screw ST2.9x13 |
| B-90 | 3WF-16.3.2-1 | Wire Sleeve/Tube |
| B-91 | 3WF-16.3.2.2 | Throttle Cable |
| B-92 | 3WF-16.3.2.1 | Switch on/off |
| B-93 | GBfT889.1 M5 | Nut M5(Nylone) |
| B-94 | 3WF-16.3.2 | Leaver Assy |
| B-95 | 3WF C.1.2 | Screw |
| B-96 | 3WF C.1.2-2 | N/A |
| B-97 | GBfT 848 ST4.8X25 | N/A |