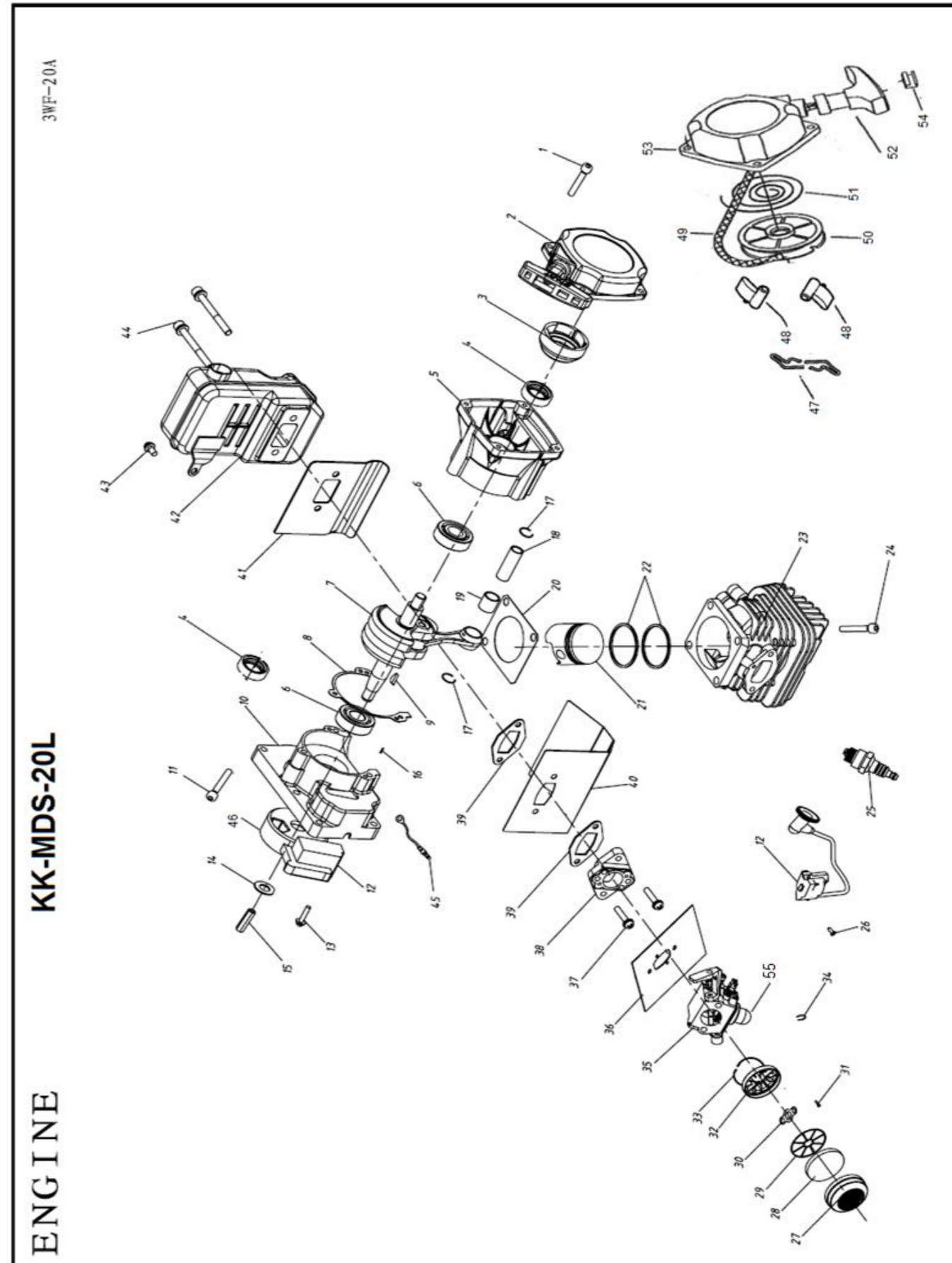
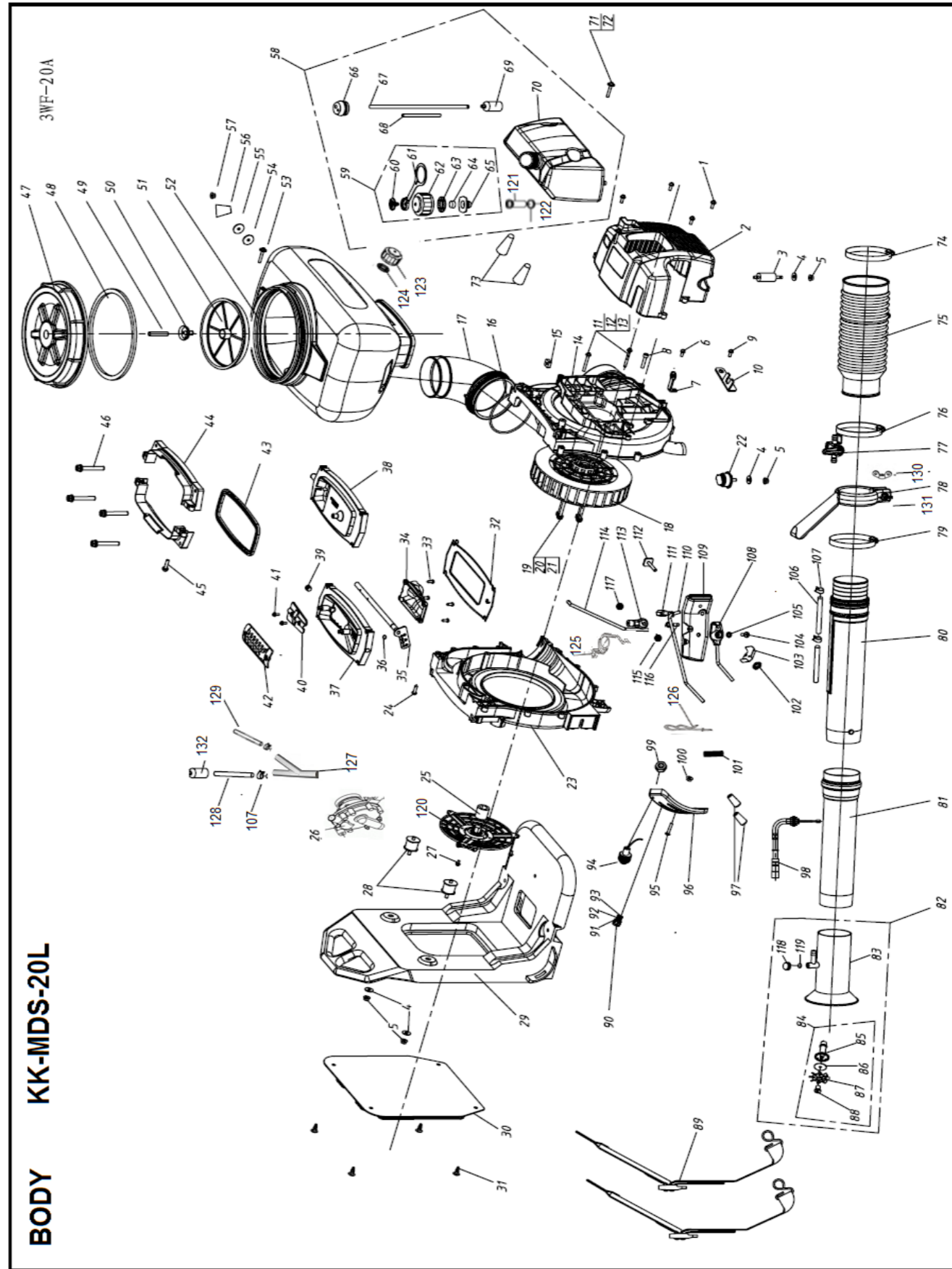


ENG	ENG	KK-MDS-20L	
S.NO	KK-P-NO	KK-Part Name	Qty
1	E-1	Screw & Washer M5x20(Allen)	4
2	E-2	Starter Assy	1
3	E-3	Start Reel	1
4	E-4	Oil Seal 15x25x7	2
5	E-5	Crank Case Small	1
6	E-6	Bearing 6202	2
7	E-7	Crank Shaft	1
8	E-8	Gasket-Crank Case	1
9	E-9	Key CrankShaft	1
10	E-10	Crank Case Big	1
11	E-11	Screw M5x35(Allen)	3
12	E-12	Ignition Coil Set	1
13	E-13	Screw & Washer M4x20(Allen)	2
14	E-14	Washer 10-Plain	1
15	E-15	Nut M-10 (SPL)	1
16	E-16	Pin 4H 8x10	2
17	E-17	CirClip -Piston Pin	2
18	E-18	Piston Pin	1
19	E-19	Needle Bearing -Piston Pin	1
20	E-20	Gasket-Cylinder	1
21	E-21	Piston	1
22	E-22	Piston Ring	2
23	E-23	Cylinder	1
24	E-24	Screw & Washer M6x20(Allen)	4
25	E-25	Spark Plug	1
26	E-26	Screw ST4.2x19	2
27	E-27	Air Cleaner outside cover	1
28	E-28	Air Filter Sponge	1
29	E-29	Stop Board (Air filter)	1
30	E-30	Baffle	1
31	E-31	Screw & Washer M5x55(Allen)	2
32	E-32	Air Cleaner Inside cover	1
33	E-33	Clip (Air Cleaner)	1
34	E-34	Stop Ring-8(Outer)	1
35	E-35	Carburator	1
36	E-36	Gasket-Carburetor	1
37	E-37	Screw & Washer M5x30(Allen)	2
38	E-38	Insulator	1
39	E-39	Gasket-Insulator	2
40	E-40	Gasket Metal-Insulator	1
41	E-41	Gasket -Muffler	1



42	E-42	Muffler	1
43	E-43	Screw M6x12(Allen)	1
44	E-44	Screw & Washer M6x65(Allen)	2
45	E-45	Stop Line Wire	1
46	E-46	Fly Wheel	1
47	E-47	Lock (Ratchet)	1
48	E-48	Ratchet	2
49	E-49	Starter Rope	1
50	E-50	Rope reel	1
51	E-51	Recoil Spring	1
52	E-52	Starter Handle	1
53	E-53	Starter Cover	1
54	E-54	Gasket-Starter Handle	1
55	E-55	Primer Bulb	1

Body		KK-MDS-20L	
S.NO	KK-P-NO	KK-Part Name	Qty
1	B-1	S.T Screw M5x16	4
2	B-2	Guide Cover	1
3	B-3	Damper(Engine)	1
4	B-4	Washer 6 Plain	5
5	B-5	Nut M6 Flanged	5
6	B-6	Screw & Washer M5x14(Star)	1
7	B-7	Bracket(Engine)	1
8	B-8	Screw & Washer M6x30(Allen)	5
9	B-9	Screw & Washer M5x12(Star)	1
10	B-10	Bracket(Throttle Cable)	1
11	B-11	Screw M5x60(Star)	2
12	B-12	Washer 5 Plain	2
13	B-13	Nut M5	2
14	B-14	Volute Case(Engine Side)	1
15	B-15	Square Nut	4
16	B-16	O-ring 100x3.1	1
17	B-17	Elbow	1
18	B-18	Impller	1
19	B-19	Washer 6 Spring	4
20	B-20	Washer 6 Plain	4
21	B-21	Screw M6x30(Hex)	4
22	B-22	Support(Single Bolt)	2
23	B-23	Volute Cover	1
24	B-24	ST Screw M5x20	16
25	B-25	Plastic Tie In	1
26	B-26	Spray Pump Assem	1



BODY KK-MDS-20L

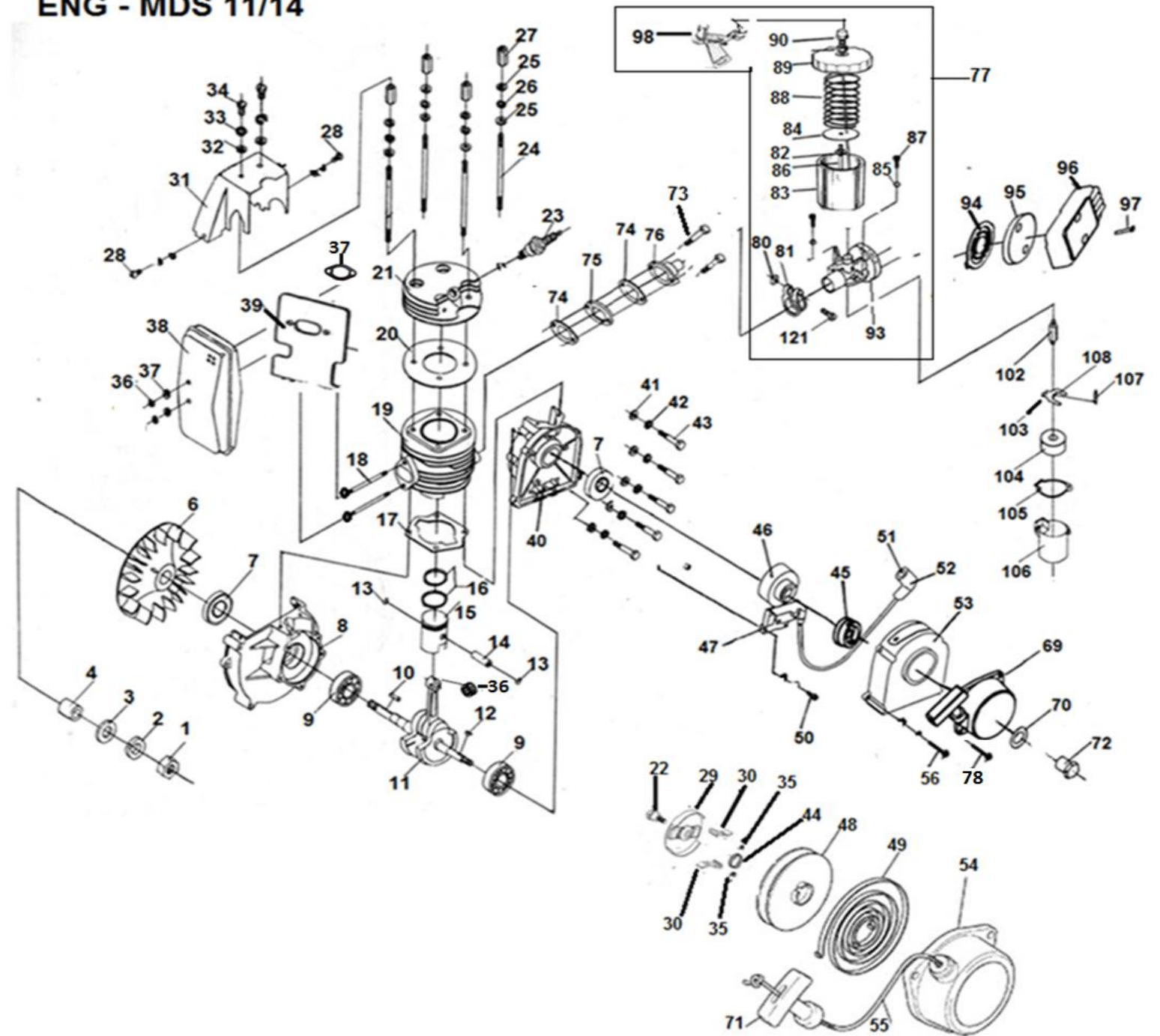
27	B-27	Screw & Washer M4x10(Star)	3
28	B-28	Damper(Body)	2
29	B-29	Frame	1
30	B-30	Back Pad	1
31	B-31	Pad Clip	4
32	B-32	Gasket(Misting/Dusting Plate)	1
33	B-33	ST Screw 4.2x13	4
34	B-34	Pipe(Dusting)	1
35	B-35	Rocker Shaft(Dusting Plate)	1
36	B-36	O-ring (Rocker Shaft(Dusting)	1
37	B-37	Dusting Plate	1
38	B-38	Misting Plate	1
39	B-39	Rubber Plug(Dusting Plate)	1
40	B-40	Wind Board	1
41	B-41	Screw & Washer M4x12	2
42	B-42	Mesh(Dusting)	1
43	B-43	Gasket(Clamp Misting/Dusting Plate)	1
44	B-44	Clamp(Misting/Dusting Plate)	2
45	B-45	Screw & Washer M6x25(Star)	2
46	B-46	Screw & Washer M6x60(Hex)	4
47	B-47	Chemical Tank Lid	1
48	B-48	Gasket(Chemical Tank Lid)	1
49	B-49	Tube 8x1.5-500 MM(Air Valve)	1
50	B-50	Air Valve	1
51	B-51	Filter Big(Chemical Tank)	1
52	B-52	Chemical Tank	1
53	B-53	Screw M6x15(SPL)	1
54	B-54	Rubber Washer	2
55	B-55	Washer 6 Plain	1
56	B-56	Clamp Hose Hanging	1
57	B-57	Nut M6 Nylon	1
58	B-58	N/A	0
59	B-59	Fuel Tank Cap	1
60	B-60	N/A	0
61	B-61	N/A	0
62	B-62	N/A	0
63	B-63	N/A	0
64	B-64	N/A	0
65	B-65	Gasket Fuel Tank	1
66	B-66	Grommet Fuel Pipe	1
67	B-67	Fuel Pipe Long(525 MM)	1
68	B-68	Fuel Pipe Short(500 MM)	1
69	B-69	Fuel Filter	1

70	B-70	Fuel Tank	1
71	B-71	Screw M5x50(Star)	2
72	B-72	Washer 5 Plain	2
73	B-73	Spacer (fuel Tank)	2
74	B-74	Clip Big	1
75	B-75	Flexible Hose	1
76	B-76	Clip Small	1
77	B-77	Cock Assy	1
78	B-78	Handle	1
79	B-79	Clip Small With Hook	1
80	B-80	Spray Pipe Short	1
81	B-81	Spray Pipe Long	1
82	B-82	N/A	0
83	B-83	Nozzle	1
84	B-84	Nozzle Fan Assy	1
85	B-85	N/A	0
86	B-86	N/A	0
87	B-87	N/A	0
88	B-88	N/A	0
89	B-89	Shoulder Belt	2
90	B-90	Stopper Nut(SPL)	1
91	B-91	Washer M8 Plain	1
92	B-92	Spring Stopper	1
93	B-93	Screw Stopper(SPL)	1
94	B-94	Stop Switch	1
95	B-95	Screw & Washer M5x16(Star)	2
96	B-96	Graduator	1
97	B-97	Knob Throttle/Dust Rod	2
98	B-98	Throttle Cable	1
99	B-99	Nut M8	1
100	B-100	Nut M5	2
101	B-101	Protection Pipe-170 MM	1
102	B-102	Handle /Knob	1
103	B-103	Bracket(Link Frame)	1
104	B-104	Screw M6x25(Star)	1
105	B-105	Washer M8 Plain	1
106	B-106	Tube LS-10x1.5x1050	2
107	B-107	Clip for Tube	3
108	B-108	Throttle Rod	1
109	B-109	Link Frame	1
110	B-110	Dust Rod	1
111	B-111	Pin(Dust Rod)	1
112	B-112	Screw M6x40(Hex SPL)	1

113	B-113	Connector(Dust Rod)	1
114	B-114	Pulling Rod	1
115	B-115	Nut M6 Nylon	1
116	B-116	Spring Throttle Rod	1
117	B-117	Nut M6	1
118	B-118	Nut Flow adjust	1
119	B-119	O-ring (Nut Flow adjust)	1
120	B-120	Cover(Impeller)	1
121	B-121	Fuel Filter Upper	1
122	B-122	Gasket Fuel Filter Upper	1
123	B-123	Drain Cap	1
124	B-124	Gasket(Drain Cap)	1
125	B-125	Clip Dust Rod	1
126	B-126	Elastic split pin	1
127	B-127	Y-Joint	1
128	B-128	Nylon hose 8.5x200mm	1
129	B-129	Nylon hose 10x260mm	1
130	B-130	Wing Nut M6	1
131	B-131	Screw M6x45(Hex)	1
132	B-132	Brass Sleeve	1

S.No	Part No	Part No	PART NO	KK-NAME
1	1-1	GB45-76	E-1	Nut M12 X 1
2	1-2	GB859	E-2	Washer 12 (Spring)
3	1-3	GB97-76	E-3	Washer 12 (Plain)
4	1-4	1E40F-03.00.06	E-4	Shaft Sleeve
5	1-6	1E40F-03.00.10	E-6	Fan
6	1-7	1E40F-02.00.20	E-7	Oil seal 17x30x7
7	1-8	1E40F-02.00.04	E-8	Crank Case (Big)
8	1-9	GB276-82	E-9	Bearing-6203
9	1-10	GB1096-79	E-10	Key B4 X 18 (Fan)
10	1-11	1E40F-03.01.00	E-11	Crank Shaft
11	1-12	1E40F-03.00.05	E-12	Key (Rotor)
12	1-13	1E40F-03.02.01	E-13	Circlip Piston Pin
13	1-14	1E40F-03.02.02	E-14	Piston Pin
14	1-15	1E40F-03.02.05	E-15	Piston
15	1-16	1E40F-03.02.03	E-16	Piston Ring
16	1-17	1E40F-02.00.01-1	E-17	Gasket Cylinder
17	1-18	1E40F-02.00.15	E-18	Bolt M 6x65
18	1-19	1E40F-02.00.10	E-19	Cylinder
19	1-20	1E40F-01.00.01	E-20	Gasket Cylinder Head
20	1-21	1E40F-01.00.02	E-21	Cylinder Head
21	1-22	1E40F-23.08.00	E-22	Pivot bolt
22	1-23	1E40F-23.08.00	E-23	Spark Plug
23	1-24	1E40F-02.00.12	E-24	Stud 6x105
24	1-25	GB848-76	E-25	Washer 6 Plain
25	1-26	GB93-76	E-26	Washer 6 Spring
26	1-27	1E40F-02.00.13	E-27	Nut M-6 SPL
27	1-28	GB67-76	E-28	Screw & Washer M5 X 10 (Star)
28	1-29	GB93-76	E-29	Ratchet guide
29	1-30	GB97-76	E-30	Ratchet
30	1-31	1E40F-02.00.03	E-31	Guide Cover
31	1-32	GB848-76	E-32	Washer 6 Spring
32	1-33	GB93-76	E-33	Washer 6 Plain
33	1-34	GB67-76	E-34	Screw M6 X 20 (Hex)
34	1-35	GB923-76	E-35	Ratchet Spring
35	1-36	GB93-76	E-36	Needle bearing (piston pin)
36	1-37	GB848-76	E-37	GASKET MUFFLER (SMALL)
37	1-38	1E40F-06.00.00	E-38	Muffler
38	1-39	1E40F-02.00.14	E-39	Muffler Gasket
39	1-40	1E40F-02.00.02	E-40	Crank Case (Small)
40	1-41	GB848-85	E-41	N/A
41	1-42	GB93-87	E-42	N/A
42	1-43	GB5782-86	E-43	Bolt M6 X 32 (Hex)
43	1-44	1E40FA-4	E-44	Friction Spring
44	1-45	1E40FT-3	E-45	Start Reel
45	1-46	1E40FA.2.1	E-46	Rotor/Fly Wheel
46	1-47	1E40FA.2.1	E-47	Ignition Coil

ENG - MDS 11/14

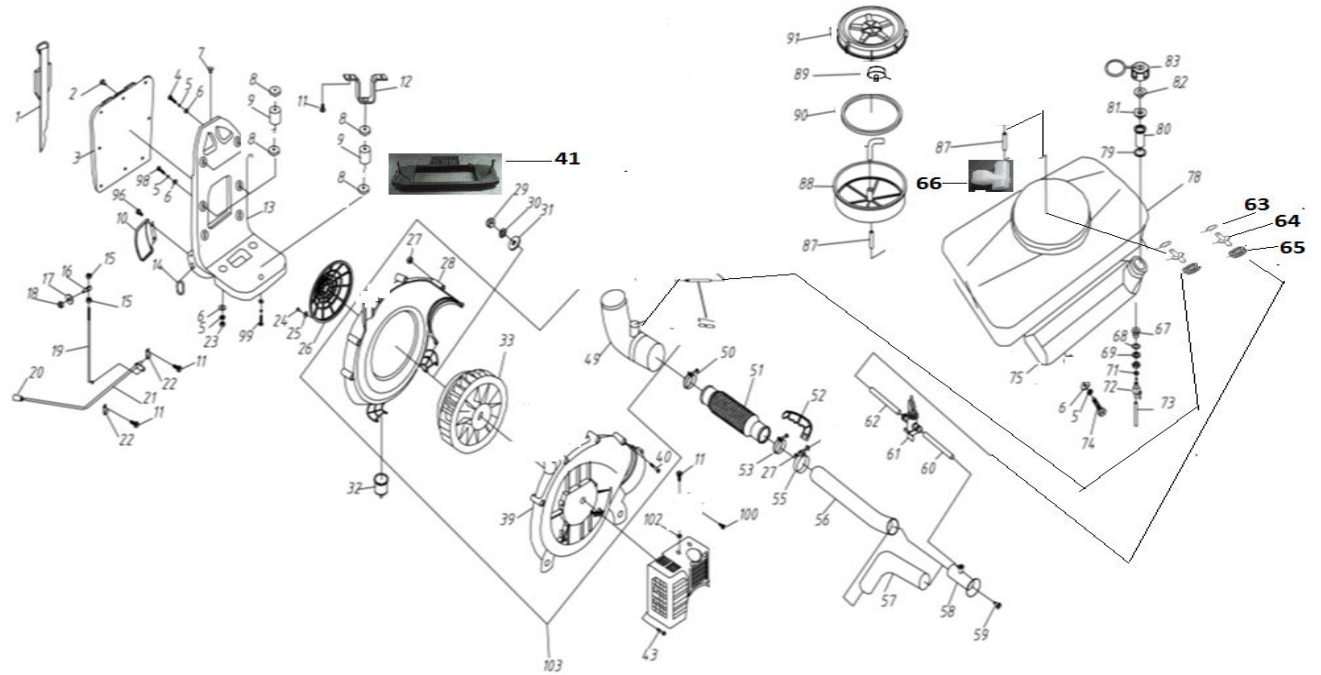


47	1-48	GB848-85	E-48	Rope Reel
48	1-49	GB93-87	E-49	Recoil Spring
49	1-50	GB818-85	E-50	Screw & Washer M4 X 30 (Star)
50	1-51	1E40F-3A.8-2	E-51	Spring SparkPlug
51	1-52	1E40F-3A.8-1	E-52	Cap SparkPlug
52	1-53	1E40FT.6	E-53	Rotor/Fly wheel Cover
53	1-54	GB848-85	E-54	Starter Cover
54	1-55	GB93-87	E-55	Starter Rope
55	1-56	GB818-85	E-56	Screw&Washer M5 X 20(Star)
56	1-69	1E40FP-3Z.4	E-69	Starter Assy
57	1-70	GB848-76	E-70	Wave Washer
58	1-71	1E40F-03.00.03	E-71	Starter Handle
59	1-72	1E40FT-2	E-72	Nut (Start Reel)SPL
60	1-73	GB89-76	E-73	Screw&Washer 5 X 20(Star)
61	1-74	1E40F-02.00.08	E-74	Gasket Insulator
62	1-75	1E40F-02.00.09	E-75	Insulator
63	1-76	1E40F-02.00.11	E-76	Flange Carburator
64	1-77	GB848-76	E-77	Carburator Assy
65	1-78	GB93-76	E-78	Screw M5x16(Star)
66	1-79	GB52-76	E-79	N/A
67	1-80	GB39-76	E-80	Nut M5 (Square)
68	1-81	1E40F-13.00.23	E-81	Clip Carburator
69	1-82	1E40F-13.00.03	E-82	Needle Clip
70	1-83	1E40F-13.00.01	E-83	Throttle Valve Piston
71	1-84	1E40F-13.00.04	E-84	Needle Retaining Washer
72	1-85	GB93-76	E-85	N/A
73	1-86	1E40F-13.00.02	E-86	Needle
74	1-87	GB65-76	E-87	Screw&Washer M4 X 12(Star)
75	1-88	1E40F-13.00.06	E-88	Spring Throttle Valve Piston
76	1-89	1E40FP-13.01.04	E-89	Chamber Lid
			E-90	Throttle Cable
77	1-93	1E40F-13.00.20	E-93	Carburetor Body
78	1-94	1E40F-07.00.04	E-94	Air Filter Inside Cover
79	1-95	GB848-76	E-95	Air Filter Sponge
80	1-96	GB93-76	E-96	Air Filter Outside Cover
81	1-97	GB66-76	E-97	Screw&Washer M4 X 20(Star)
82	1-98	1E40F-07.02.02	E-98	Lever Throttle cable
83	1-99	1E40F-07.00.08	E-99	N/A
84	1-100	1E40F-07.00.07	E-100	N/A
85	1-101	1E40F-07.00.06	E-101	N/A
86	1-102	1E40F-13.00.18	E-102	N/A
87	1-103	1E40F-13.00.16	E-103	Pin Float Lever
88	1-104	1E40F-13.00.30	E-104	Float
89	1-105	1E40F-13.00.15	E-105	Gasket Float Chamber
90	1-106	1E40F-13.00.21	E-106	Float Chamber
91	1-107	1E40F-13.00.14	E-107	Needle Valve
92	1-108	1E40F-13.00.17	E-108	Float Lever
93	1-121	ZB65-76	E-121	Screw M5 X 30 (Star)

Qty	KK-P-NO	KK-NAME 11 ltr	
1	B-1	Shoulder Belt	
6	B-2	Back mat clip	
1	B-3	Back Mat	
2	B-4	Bolt M6x16(HEX)	
10	B-5	Washer-6 Spring	
13	B-6	Washer-6 Plain	
5	B-8	Nut-M6	
5	B-9	Rubber pillar(Two Bolt)	
1	B-10	Graduator	
4	B-11	Bolt M6x16(Hex/Star)	
1	B-12	Engine Support	
1	B-13	Frame	
2	B-14	Belt Hook	
3	B-15	Nut M-4	
1	B-16	pin for Pulling rod Throttle	
1	B-17	washer-5 Plain	
1	B-18	Nut M-5	
1	B-19	Pulling rod(Throttle)	
2	B-20	Knob(Throttle)	
1	B-21	Throttle rod	
4	B-22	Clamp (Throttle rod)	
7	B-23	Nut M-6	
3	B-24	Screw & Washer M 4x10(Star)	
1	B-26	Cover(Impeller)	
13	B-27	Nut m-5	
1	B-28	volute case	
1	B-29	Buy-E-01	
1	B-30	Buy-E-02	
1	B-31	Buy-E-03	
2	B-32	Rubber pillar(Single Bolt)	
1	B-33	impeller	

1	B-39	volute case(Engine Side)	
13	B-40	Screw M5x25(Star)	
1	B-41	Holder (chemical tank)	
2	B-43	Screw & Washer M5x12(Star)	
2	B-44	Nut M-5	
2	B-45	Screw M5x20(Star)	
1	B-49	Bend pipe (Small Hose)	
1	B-50	Big Hose Clip No.2	
1	B-51	Big Hose	
1	B-52	Handle	
1	B-53	Big Hose Clip No.3	
1	B-55	Handle clip	
1	B-56	Long straight pipe	
1	B-57	Bend Pipe	
1	B-58	Nozzle	
1	B-59	Nozzle Fan	
	B-60	Pipe 34"	
1	B-61	Tap	
0.85	B-62	Pipe 17"	
1	B-63	washer Connector Lid	
1	B-64	Connector	
1	B-65	Connector Lid	
1	B-66	Pipe Connector	
1	B-67	Adopter(Fuel Cock)	
1	B-68	sealing washer(Adopter)	
1	B-69	Adopter Nut(Fuel Cock)	
1	B-71	sealing washer(Fuel Cock)	
1	B-72	Fuel cock	
0.15	B-73	Fuel Pipe 12"	
2	B-74	Screw M5x16 Star	
2	B-75	Fuel Tank	
1	B-78	chemical tank	
1	B-79	Gasket Fuel Filter	

MDS-11 Ltr



1	B-80	Fuel Filter	
1	B-81	Gasket FuelTank Lid	
1	B-83	fuel tank lid	
0.35	B-87	Pipe 14"	
1	B-88	Filter(Chemical Tank)	
1	B-89	Breather Lid	
1	B-90	Gasket Chemical Tank Lid	
1	B-91	Chemical Tank Lid	
4	B-97	Bolt M6x16 Hex	
2	B-100	Bolt M 6x16 Hex	
2	B-102	washer-6 Plain	