

Crankcase Assembly

S.no	Part number	Part name
1	GB6170-86	Nut M6
2	GB93-87	Spring washer 6
3	GB97.1-85	Washer 6-140HV
4	Z160F-01009	Cylinder head nut
5	Z160F-01003	Cylinder head nut washer
6	Z160F-01010	Cylinder head gasket
7	Z160F-01007	Cylinder linder
8	Z160F-01007	cylinder head stud (A)
9	Z160F-01015	Camshaft plug
10	GB898-88	Stud AM8x90
11	GB97.1-85	Washer 8-140HV
12	GB93-87	Spring washer 8
13	Z160F-01004	Eye nut
14	Z160F-01013	Crankcase
15	Z160F-01002	Rear cover gasket
16	Z160F-01100	Oil Screen Plate
17	Z160F-01006	Rear cover
18	Z160F-01300	Oil Filter Unit
19	GB97.1-85	Washer 6-140HV
20	GB93-87	Spring washer 6
21	GB6170-86	Nut M6
22	Z160F-01001	Dipstick
23	GB5783-86	Hexagon bolt M6x12
24	Z160F-01012	Gasket (Gear Case)
25	Z160F-01200	Starting unit
26	Z160F-01016	Roundhead cap soew
27	GB5783-86	Hexagon bolt M10x12
28	Z160F-01005	Copper washer
29	GB898-88	Stud AM6x16
30	GB898-82	Bearing 7943/6(Governer fork )
31	GB898-88	Stud Am8x35
32	Z160F-01014	Injection pump gast
33	GB93-87	Spring washer 8
34	GB6170-86	Nut M8
35	GB1235-76	O-Seal ring 20 x 2.4
36	Z160F-01011	Cylinder head stud (B)

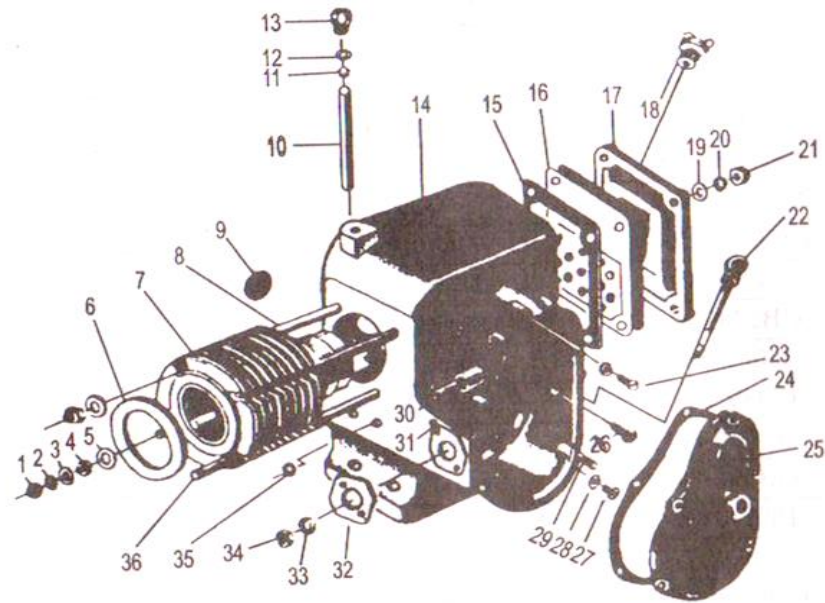
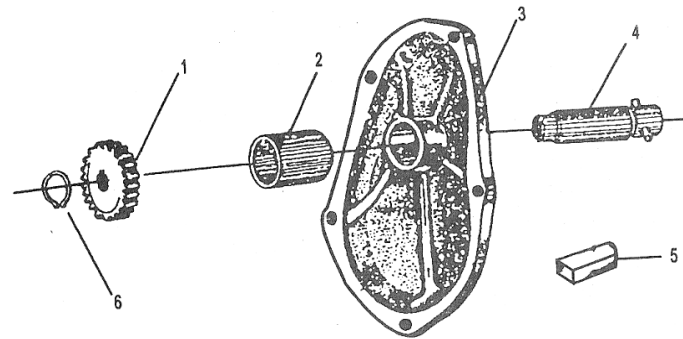


Fig 1



Starting Unit

S.no	Part number	Part name

1	Z160F-01201	Starting Gear	
2	ZR168-01204	Starting gear bushing	
3	Z160F-01202	Gear case cover	
4	ZR168-01205	Starting shaft	
5	GB1096-79	Square key C4 x 10	
6	GB894.1-86	Circlip 12	

Cooling System

S.no	Part number	Part name	
1	Z160F-02001	Shelter	
2	Z160F-02102	Air Cowling	
3	GB97.1-83	Washer 5-140HV	
4	GB 93-87	Spring washer 5	
5	GB67-83	Button head cap screw M5x10	
6	Z160F-02003	Fan	
7	GB 848-85	Washer 6-140HV	
8	GB 5783-86	Hexagon bolt M620	
9	Z160F-02201	Blower Base Plate	
10	Z160F-02002	Top Wind-Guide	
11	GB 6170-86	Nut M5	
12	Z160F-02004	Bottom Wind-guide	

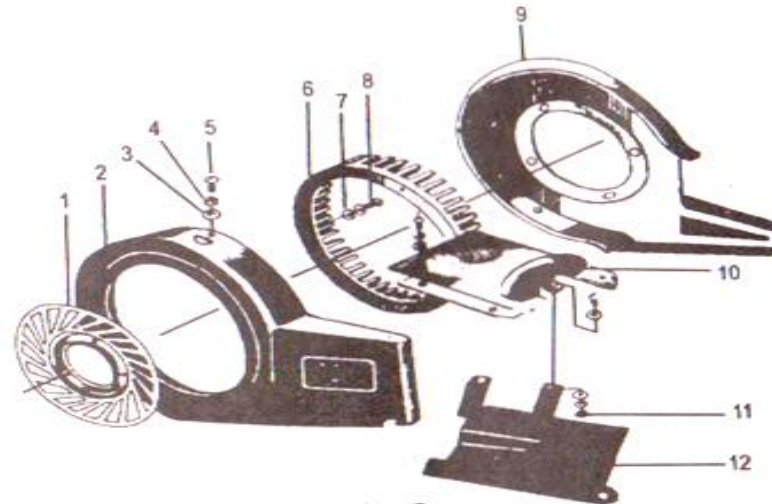
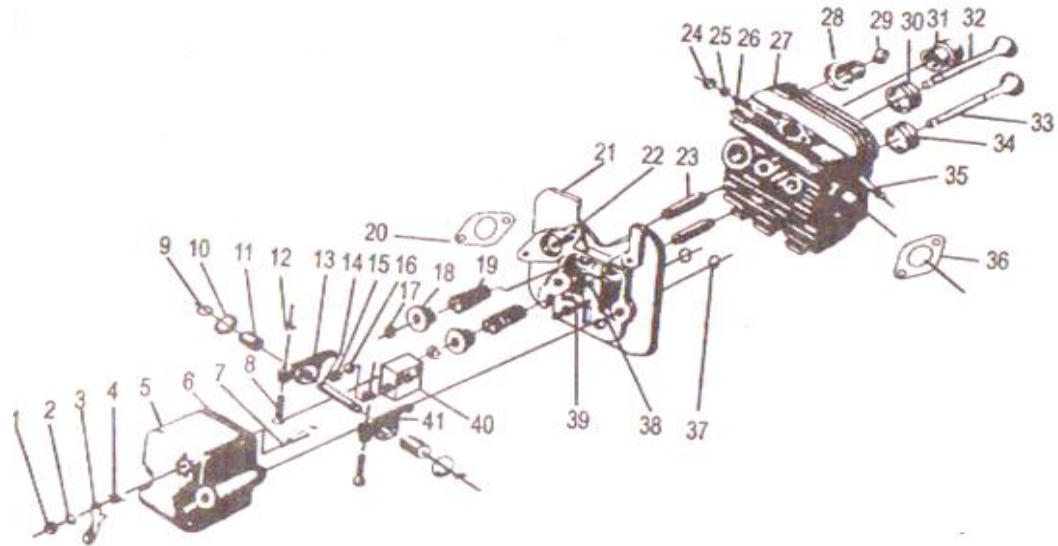


Fig 3

Cylinder Head Assembly

S.no	Part number	Part name	
1	GB6170-86	Nut M6	
2	GB93-87	Spring Washer 6	
3	165F-03302	Decompression lever	
4	165F-03303	Decompression lever spring	
5	Z160F-03301	Cylinder head cover	
6	Z160G-03003	Cylinder head cover Gasket	
7	165F-03304	Decompression lever shaft	
8	165F-03201	Valver rocker arm adjusting screw	
9	GB894.1-86	Circlip 10	
10	Z160F-03205	Washer	
11	Z160F-03211	Valve rocker arm bushing	
12	165F-03204	Valve adjusting set nut	
13	Z160F-03222	Inlet valve rocker arm	
14	Z160F-03203	Valve rocker arm shaft	
15	GB6170-86	Nut M8	
16	GB93-87	Spring Washer 8	
17	Z160F-03006	Valve collect	



18	Z160F-03005	Valve spring retainer	
19	Z160F-03004	Valve spring	
20	Z160F-03002	Gasket (AIR INTAKE PIPE)	
21	Z160F-03001	Valve casing	
22	GB67-85	Stud M6 x 12	
23	Z160F-03102	Valve Guide	
24	GB6170-86	Nut M8	
25	GB93-87	Spring washer 8	
26	GB900-88	Stud M8x 70	
27	Z160F-03101	Cylinder head	
28	Z160F-03009	Heat insulating sleeve	
29	165F-03010	Heat insulating washer	
30	Z160F-03103	Inlet valve seat	
31	Z160F-03104	Combustion chamber insert	
32	Z160F-03008	Inlet valve	
33	Z160F-03007	Exhaust valve	
34	Z160F-03103	exhaust valve seat	
35	GB900-88	Stud M6 x 16	
36	Z160F-03011	Gasket (silincer)	
37	GB1235-76	O-seal ring 20 x 2.4	
38	GB119-86	Pin B4 x 10	
39	GB898-88	Stud AM8x 35	
40	Z160F-03202	Rocker Arm shaft support	
41	Z160F-03212	Exhaust valve rocker arm	

#### Piston and Connecting Rod Assembly

S.no	Part number	Part name	
1	Z160F-04104	Connecting rod nut	
2	165F-04007	connecting rod bolt lock plate	
3	Z160F-04102	connecting rod cap	
4	Z160F-04008	Connecting rod bearing shell	
5	Z160F-04008	Connecting rod bearing shell	
6	Z160F-04101	connecting rod	
7	Z160F-04103	connecting rod bolt	
8	Z160F-04004	oil scraper ring	
9	Z160F-04001	Piston	
10	Z160F-04003	Compression ring	
11	Z160F-04002	Chrome plated Compression ring	
12	Z160F-04006	Piston pin snap ring	
13	Z160F-04005	Piston pin	
14	Z160F-04105	Connecting rod busing	

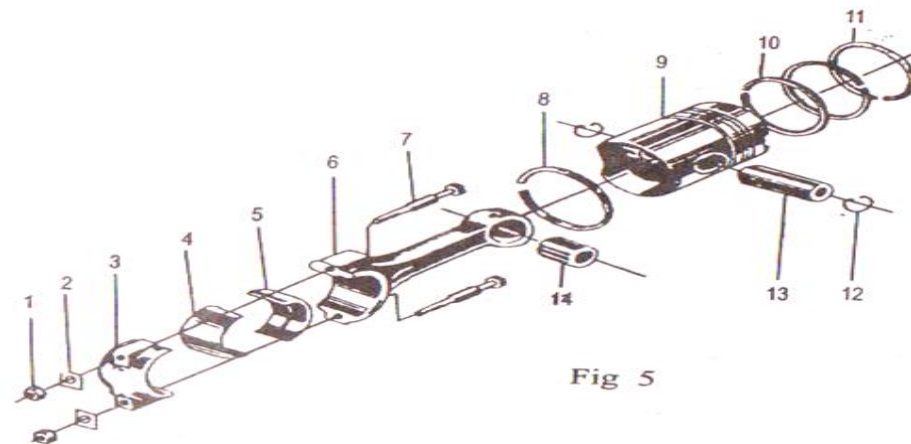


Fig 5

### Crankshaft An Fly Wheel Assembly

S.no	Part number	Part name	
1	Z160F-05008	Crankshaft timing gear	
2	GB/T 276-1994	Ball bearing E207	
3	Z160F-05007	Oil Slinger	
4	GB10 96-79	Key C5x8	
5	Z160F-05004	Crankshaft	
6	Z160F-05002	Flat Key	
7	Z160F-05006	Gasket (Bearing Housing)	
8	Z160F-05005	Bearing housing	
9	GB276-94	Ball bearing E307	
10	GB894.1-86	Circlip 35	
11	HG4-692-67	Oil Seal 35x60x10	
12	Z160F-05003	Flywheel	
13	Z160F-05010	Lock Washer	
14	Z160F-05001	Flywheel fixing nut	
15	GB93-87	Spring washer 8	
16	GB5783-86	Hexagon bolt M8x20	
17	GB898-88	Stud AM8x30	
18	GB6170-86	Nut M8	

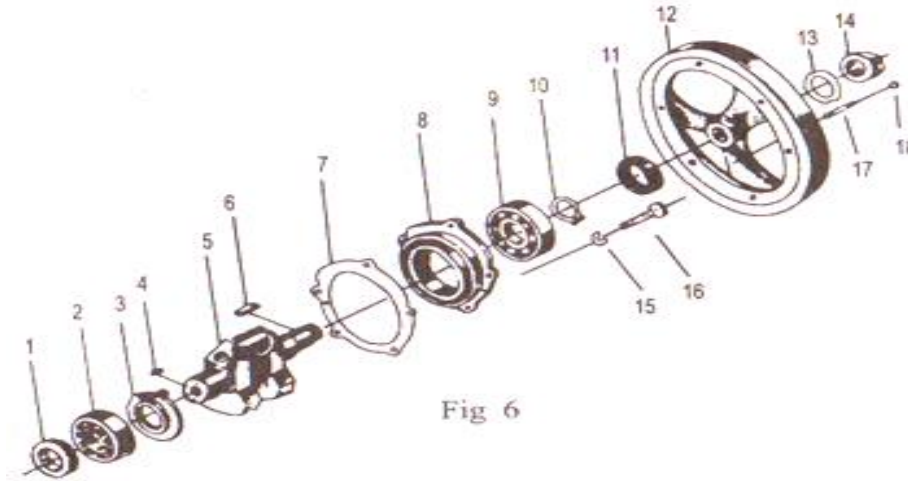


Fig 6

### Camshaft Equipment

S.no	Part number	Part name	
1	GB894-86	Circlip 25	
2	GB276-82	Ball Bearing E205	
3	Z160F-06002	Camshaft timing gear	
4	Z160F-06004	Valve tappet	
5	Z160F-06005	Push rod sleeve	
6	Z160F-06006	Valve push rod	
7	Z160F-06001	Camshaft	
8	Z160F-06003	Driven starting gear	
9	GB95-86	Washer 10-140HV	
10	GB93-87	Spring washer 10	
11	GB6170-86	Nut M10	
12	GB1096-79	Key C5x10	
13	GB1096-79	Key A6x9	

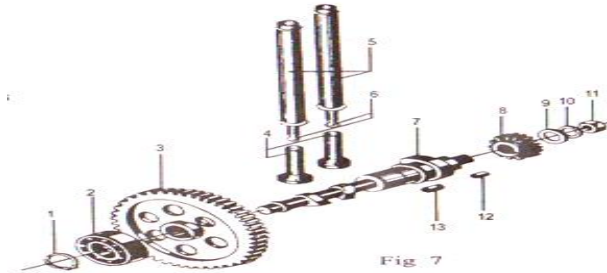


Fig 7

### Air Cleaner Assembly

S.no	Part number	Part name	
1	GB62-89	Wing Nut M5	

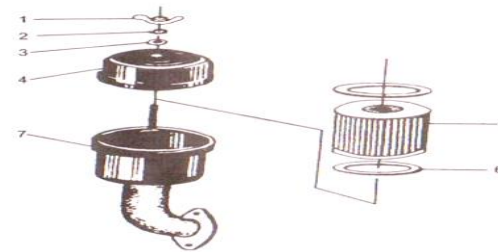


Fig 8

2	GB93-87	Spring Washer 5	
3	GB97.1-85	Washer 5	
4	Z160F-07002	Upper Shell	
5	Z160F-07100	Air Filter Element	
6	Z160F-07003	Shell	
7	Z160F-07200	Rubber Washer	

Exhaust Assembly

S.no	Part number	Part name	N/A
1	165F-09200	Muffler Focus pipe	N/A
2	Z160F-09100	Muffler Upper Pricipal Part	N/A
3	165F-09302	Muffler damper	N/A
4	Z160F-09300	Muffler lower pricipal part	N/A
5	GB95-85	Washer 8-140HV	N/A
6	GB6170-86	Nut M8	N/A
7	GB93-87	Spring Washer 8	N/A
8	Z160F-09001	Muffler shield	N/A
9	GB67-85	Notch wad bolt M5x8	N/A
10	GB93-87	Spring Washer 5	N/A
11	GB95-85	Washer 5-140HV	N/A
12		Silincer Assy	

Fuel System

S.no	Part number	Part name	
1	Z160F-10201	Fuel tank cap	
2	Z160F-10202	Fuel tank cap spring	
3	Z160F-10203	Fuel tank cap packing	
4	Z160F-10005	Fuel tank strainer	
5	Z160F-10100	Fuel tank	
6	Z160F-10004	Gasket (Fuel tank)	
7	GB897-88	Stud M6x20	
8	R175A-10003	Packing (Fuel cock)	
9	GB170-86	Nut M8	
10	GB95-85	Spring washer 8	
11	GB95-85	Washer 8-140HV	
12	Z160F-10311	Filter element Housing	
13	Z160F-10309	Spring	
14	Z160F-10310	Washer	
15	GB1235-76	O-seal ring 10x 1.9	
16	Z160F-10307	Bearing Plate	
17	GB1235-76	O-seal ring 20x2.4	
18	R175A-10330	Fuel filter element	

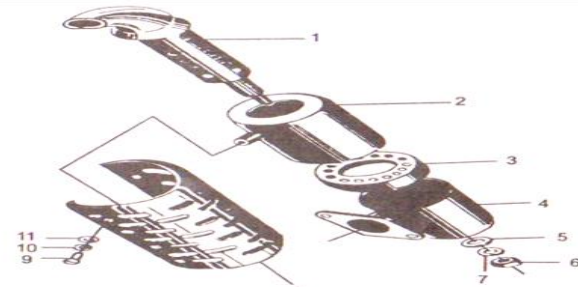


Fig 9

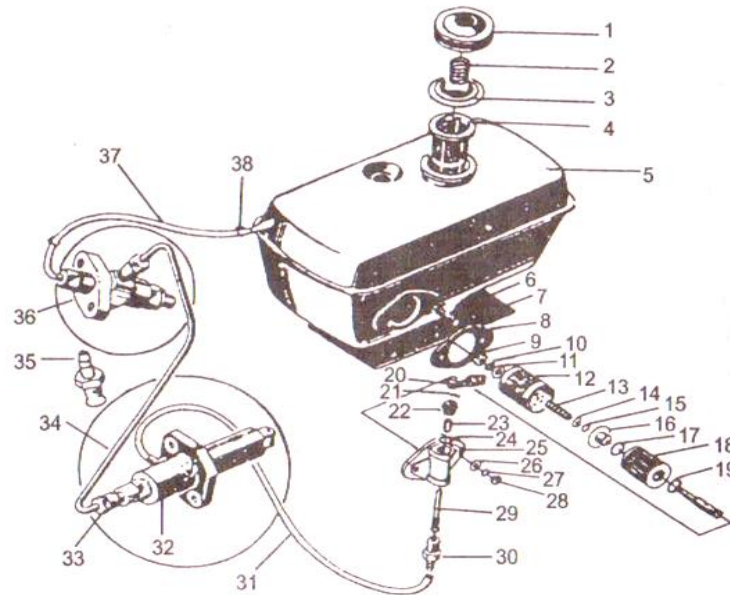


Fig 10

19	Z160F-10308	Hollowscrew	
20	Z160F-10314	Cock handle	
21	GB117-86	Pin 3 x 16	
22	Z160F-10304	Set Nut	
23	Z160F-10306	Packing ring	
24	Z160F-10305	Sealing washer	
25	Z160F-10302	Fuel filter support	
26	GB95-85	Washer 6-100HV	
27	GB93-87	Spring washer 6	
28	GB6170-86	Nut M6	
29	Z160F-10303	Fuel cock valve lever	
30	Z160F-10301	Pipe Adapter	
31	Z160F-10003	Fuel delivery pipe	
32	Z160F-13000	Fuel injection pump	
33	Z160F-10403	Injector fuel pipe nut	
34	Z160F-10401	Injector pipe	
35	Z160F-10301	Pipe Adapter	
36	Z160F-14000	Injector	
37	Z160F-10002	Fuel return pipe	
38	Z160F-10001	Clamp	

Governor System

S.no	Part number	Part name	
1	165F-11001	Governor spring	
2	GB95-85	Washer 5-100HV	
3	Z160F-11330	Governor plate	
4	Z160F-11302	Screw	
5	Z160F-11304	Indicating plate	
6	GB6170-86	Nut M6	
7	GB67-85	Screw M6x16	
8	GB95-85	Washer 6-140HV	
9	Z160F-11301	Speed control handle	
10	165F-11305	Rivet	
11	GB6170-86	Nut M6	
12	Z160F-11404	Governor spring seat	
13	Z160F-11403	Governor Spring	
14	Z160F-11406	Fly-weight support	
15	Z160F-11405	Fly-Weight pin	
16	GB93-87	Spring washer 6	
17	GB67-85	Screw M6x16	
18	Z160F-11401	Fly-Weight	
19	Z160F-11402	Governor spindle	

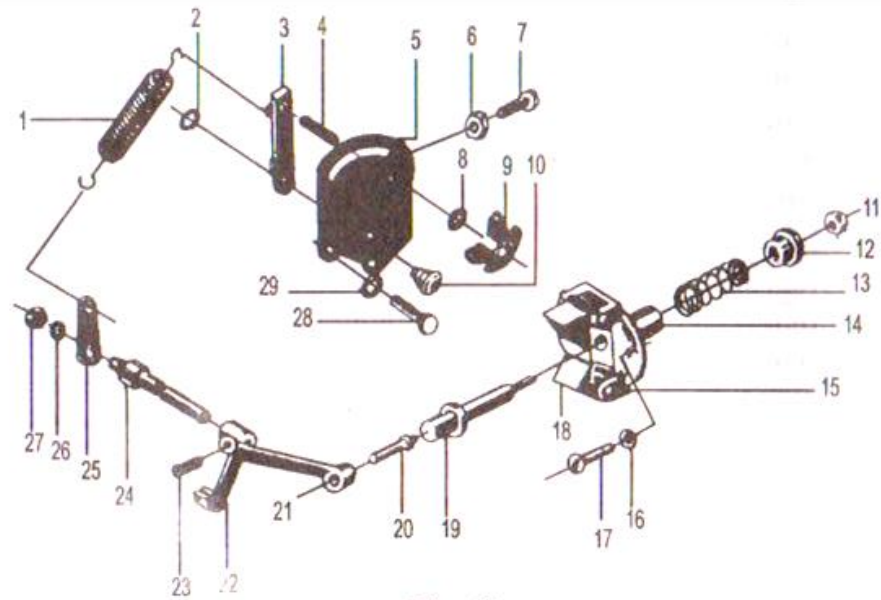


Fig 11

20	165F-11501	Adjusting screw	
21	GB6170-86	Nut M6	
22	Z160F-11201	Governor fork	
23	165F-11202	Set Screw	
24	Z160F-11101	Governor fork shaft	
25	165F-11102	Governor Connecting lever	
26	GB93-87	Spring washer 6	
27	GB6170-86	Nut M6	
28	GB5783-86	Hexagon bolt M6 x 12	
29	GB93-87	Spring washer 6	