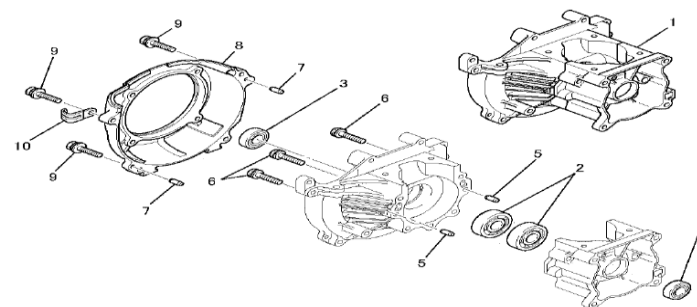


JP-45**Brush Cutter**

1

**Engine Parts
Crankcase System**

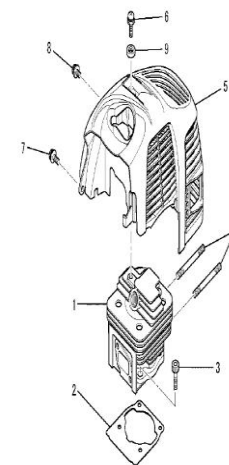
Part No		Name
E1-1	KB01040NA	Crankcase Assy
E1-2	KW11021AA	Bearing 6202
E1-3	KW21022AA	Oil Seal
E1-4	KW21021AA	Oil Seal
E1-5	KU40003AA	Pin Dowel-Crankcase
E1-6	KU12029AA	Screw & Washer
E1-7	KU40004AA	Pin Dowel-Fan Cover
E1-8	KH30038AB	Fan Cover/Fan Case
E1-9	FR64569D	Bolt & Washer
E1-10	KU60001AA	Clamp



2

Cylinder & Top Cover System

Part No		Name
E2-1	KC13035AA	Cylinder
E2-2	KW32026AA	Gasket Cylinder
E2-3	KU12056BA	Bolt SCH
E2-4	B151B06X050	Bolt STUD
E2-5	KH40127AA	Guide Cover Assy/Cover Top
E2-6	KU12037BA	Screw & Washer
E2-7	KU12043AA	Screw & Washer
E2-8	KU12018AA	Screw & Washer
E2-9	KU33010AA	Washer



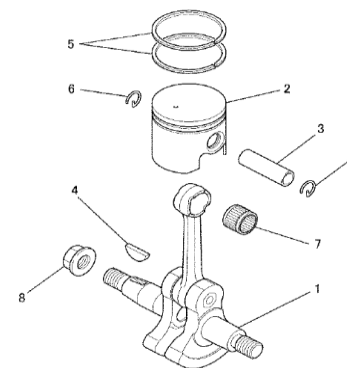
8640

8640

3

Crankshaft & Piston System

Part No		Name
E3-1	KD01045AA	Crankshaft Assy
E3-2	KP13008AA	Piston



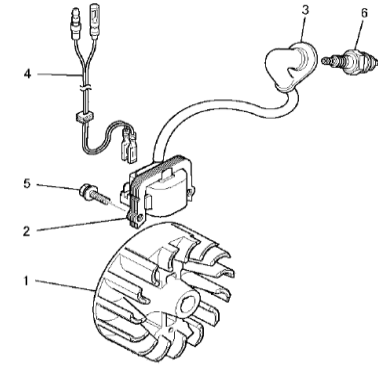
E3-3	FR67317	Piston Pin
E3-4	W430B03X013	Key-Crankshaft(Woodruff)
E3-5	KP23010AA	Piston Ring
E3-6	FR34111	Circlip-Piston Pin
E3-7	FR92523	Needle Bearing-Piston Pin
E3-8	ZZ70028C	Nut-conical SPG

4

Fly Wheel System

Part No	Name	
E4-1	KE11038AA	Fly Wheel/Rotor
E4-2	KE04049AA	Ignition Coil
E4-3	KE42044AA	Cap-Spark Plug
E4-4	KE90293BA	Cord Comp/Wire Lead
E4-5	FR64569A	Bolt & Washer
E4-6	FR63087A	Spark Plug

8640



5

Carburetor System

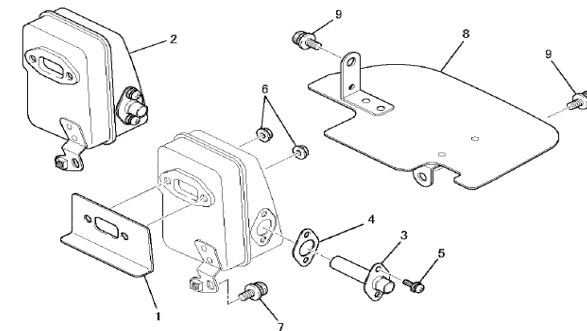
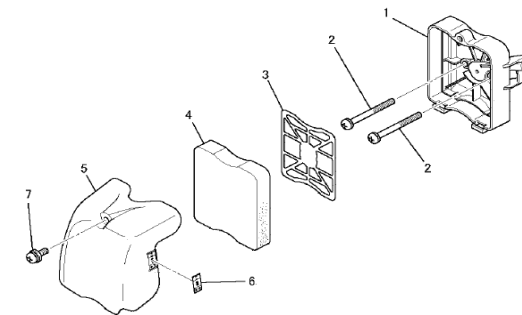
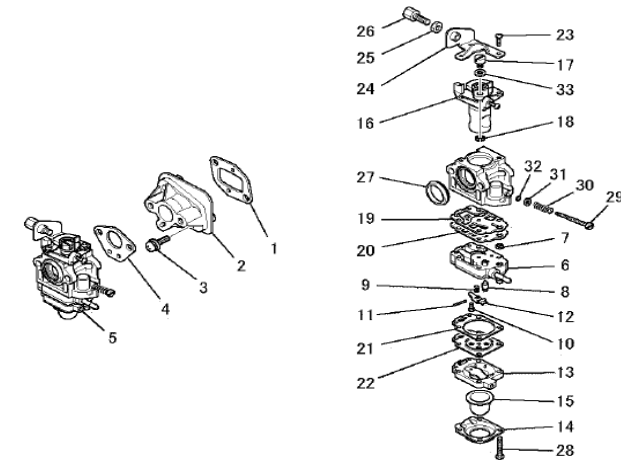
Part No	Name	
E5-1	KW34080AA	Gasket-Insulator
E5-2	KK31042AA	Insulator
E5-3	KU12057CA	Screw & Washer
E5-4	KW39104AA	Gasket-Carburetor
E5-5	KK23029AA	Carburetor
E5-6	KK22016AA002	Body Pump
E5-7	KK21009AA002	Screen
E5-8	KK22007AA003	Valve Needle
E5-9	KK23002AA005	Spring
E5-10	KK22007AA005	Screw
E5-11	FR66652XX027	Pin
E5-12	FR66652XX029	Lever
E5-13	KK22007AA006	Body
E5-14	KK22007AA007	Cover

8640

8640

8640

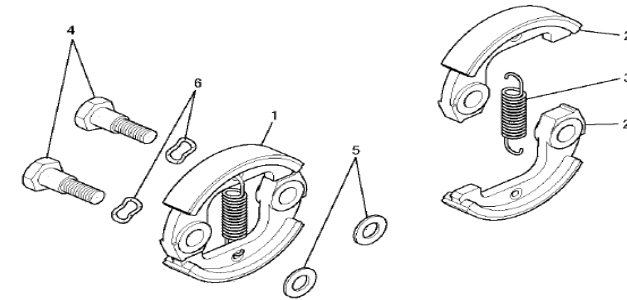
E5-15	KK21017AA013	Primer Pump Assy
E5-16	KK23028AA010	Valve Throttle
E5-17	KK21024AA022	Holder Wire
E5-18	FR66652XX032	Clip
E5-19	KK21028AA009	Gasket
E5-20	KK21017AA005	Diaphragm
E5-21	KK22007AA012	Gasket
E5-22	KK21028AA006	Diaphragm
E5-23	KK21017AA021	Screw
E5-24	KK22023AA014	Bracket
E5-25	KK21017AA027	Nut
E5-26	KK22008AA016	Screw Adjust
E5-27	KK21024AA014	Packing
E5-28	KK22007AA019	Screw
E5-29	KK23002AA019	Needle High Speed
E5-30	KK21021AA008	Spring
E5-31	KK22007AA022	Washer
E5-32	KK22007AA023	O Ring
E5-33	KK22004EA024	Washer



6		
Air Cleaner System		
Part No		Name
E6-1	KA01090AB	Air Cleaner Inside Cover/Case Cleaner
E6-2	KU12052AA	Screw & Washer
E6-3	KA30033AA	Grid
E6-4	KA40097AA	Air Filter Sponge/Element Cleaner
E6-5	KA02044AA	Air Cleaner Outside Cover/Cover Cleaner
E6-6	FR67555	Label Name
E6-7	KU12073AA	Screw & Washer

7		
Muffler System		
Part No		Name

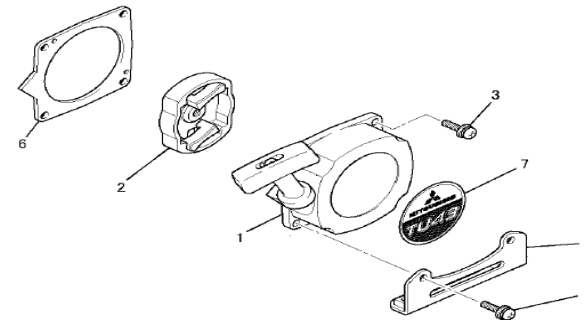
E7-1	KM70072AA	Gasket Muffler
E7-2	KM01090FA	Muffler
E7-3	KM50058AA	Pipe Tail
E7-4	KM70077AA	Gasket-Tail Pipe
E7-5	KM01090AA004	Screw & Washer
E7-6	N801A06	Nut Flange
E7-7	KU12066AA	Screw & Washer
E7-8	KM70082AA	Gasket-Muffler(Cover)
E7-9	H071D05X012K	Screw & Washer



8

Clutch System

Part No	Name	
E8-1	KT01056AA	Clutch Shoe Assy
E8-2	KT12012AA	Shoe Clutch
E8-3	KT01056AA002	Spring-Clutch
E8-4	KT14001AA	Clutch Bolt
E8-5	FR67347	Washer A-Clutch
E8-6	KU36001AA	Washer B-Clutch



9

Recoil Starter System

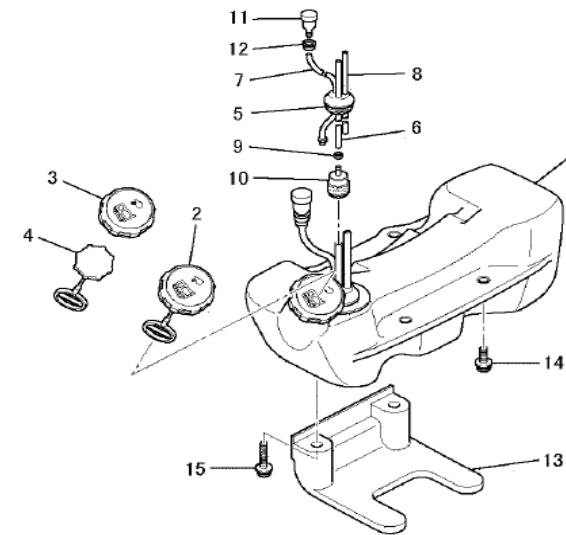
Part No	Name	
E9-1	KS20172AA	Starter Assy/Recoil Starter
E9-2	KS03016AA	Start Reel/Pulley Starter
E9-3	KU12018CA	Screw & Washer
E9-4	KF50028AA	Bracket-Tank
E9-5	KU12043BA	Screw & Washer
E9-6	KS90023AA	Plate
E9-7	KW52358BA	Label Name

10

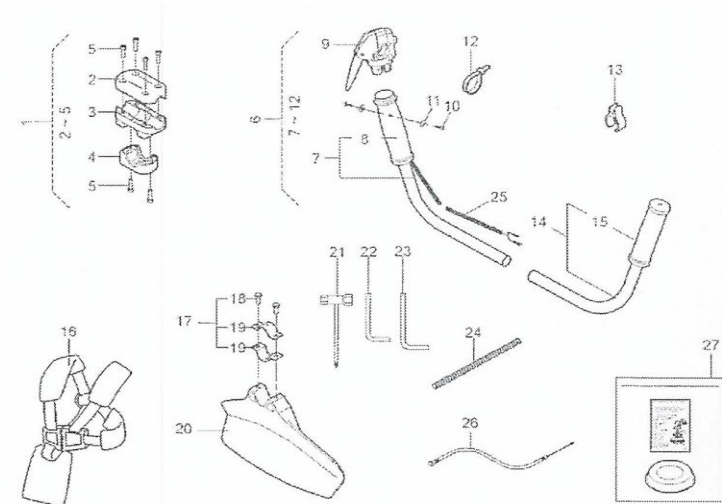
Fuel Tank System

Part No	Name	
E10-1	KF01106BA	Fuel Tank Assy

E10-2	KF05016BC	Fuel Tank Lid/Tank Cap
E10-3	KF21014AC	N/A
E10-4	KF09027AA	N/A
E10-5	KF90122AA	Fuel Pipe Grommet
E10-6	FR67142XX001	Fuel Pipe-Long/Hose Fuel
E10-7	KF70034AA	Tube Fuel (Breather)
E10-8	KF70031BA	Fuel Pipe-Short/Hose Fuel
E10-9	KF01033AA007	Bush
E10-10	KF40004AA	Petrol Filter/Filter Fuel
E10-11	KF90180AA	Valve Breather
E10-12	FR64572	Clip
E10-13	KT30036AA	Engine Stand
E10-14	KU12018BA	Screw & Washer
E10-15	KU12018DA	Screw & Washer



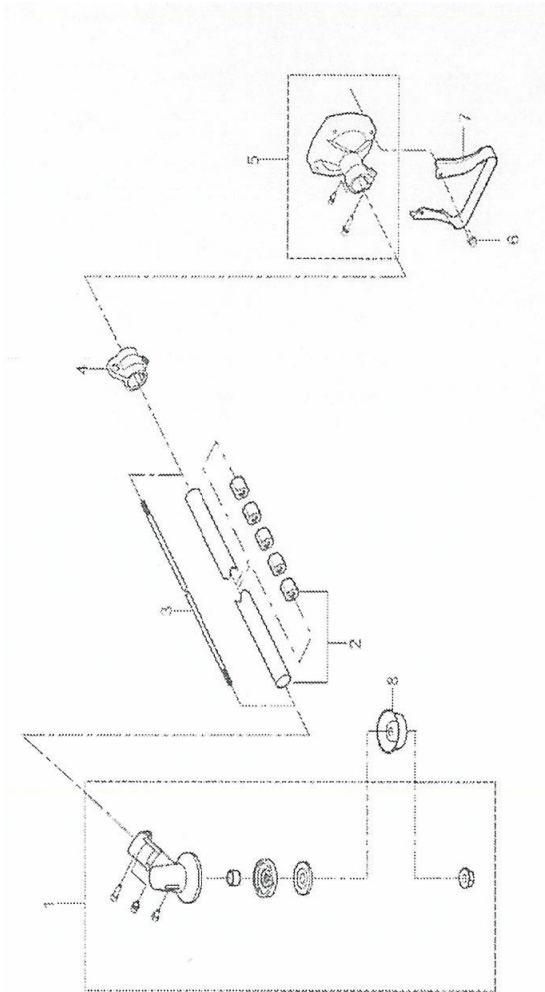
1	Handle & Fitting - BC-2	
Part No		Name
B1-1	71011-153	N/A
B1-2	51009-143	Cap Up-Handle/Handle Joint (A)
B1-3	51010-146	Bracket-Handle/Handle Joint (B)
B1-4	51013-122	Cap Lower-Handle/Handle Joint(C)
B1-5	412N0625	Socket Screw
B1-6	71014-460	N/A
B1-7	71014-185	Right Handle/Handle Assy
B1-8	36007-130	Right Handle Grip
B1-9	71056-301	Lever Assy/Throttle Lever Assy
B1-10	464L0410	Tapping Screw
B1-11	661L0400	Spring Lock Washer
B1-12	68028-103	Wire Bend
B1-13	51002-126	Wire Holder
B1-14	71014-363	Left Handle/Handle Assy



B1-15	36007-154	Left Handle Grip
B1-16	36063-206	Harness Assy/Shoulder Band
B1-17	71038-168	Safety Guard Bracket/Band Set
B1-18	412N0620	Socket Screw
B1-19	11029-109	Safety Guard Bracket/Band
B1-20	36046-162	Safety Guard
B1-21	66006-117	Box Spanner (17x19)
B1-22	66007-103	L Wrinch (4)
B1-23	66007-104	L Wrinch (5)
B1-24	41003-128	Tube
B1-25	41003-152	Tube
B1-26	91001-167	Throttle Cable /Wire
B1-27	71001-124	Grass Cover Set

2		Gear Case & Driving Apparatus
Part No		Name
B2-1	71008-319	Gear Case Assy
B2-2	71130-131	Outer Pipe/Main Pipe C.P
B2-3	64011-234	Drive Shaft/Main Shaft
B2-4	71012-146	Holder Assy/Hanger Band Assy
B2-5	71010-140	N/A
B2-6	416N0635	Socket Screw
B2-7	11024-130-09	Stand-Clutch Comp
B2-8	11027-119	Cover Metal/Stabilizer

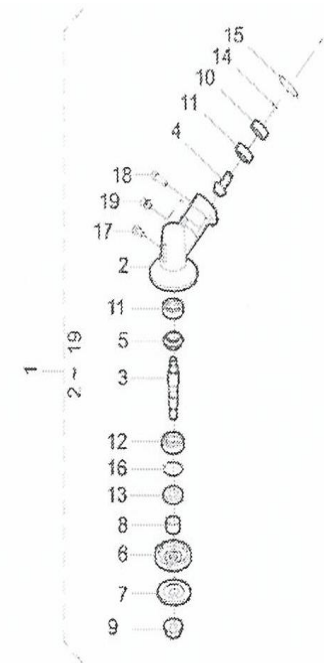
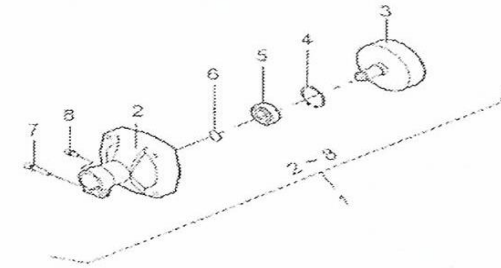
3		Clutch Case Assy
Part No		Name
B3-1	71010-140	Clutch Comp Assy/Case
B3-2	51030-146	Linker/ Clutch Case
B3-3	11014-106	Clutch Drum C.P
B3-4	811V3500	Stop Ring/C.Snap Ring
B3-5	912B6202	Bearing 6202 ZZ



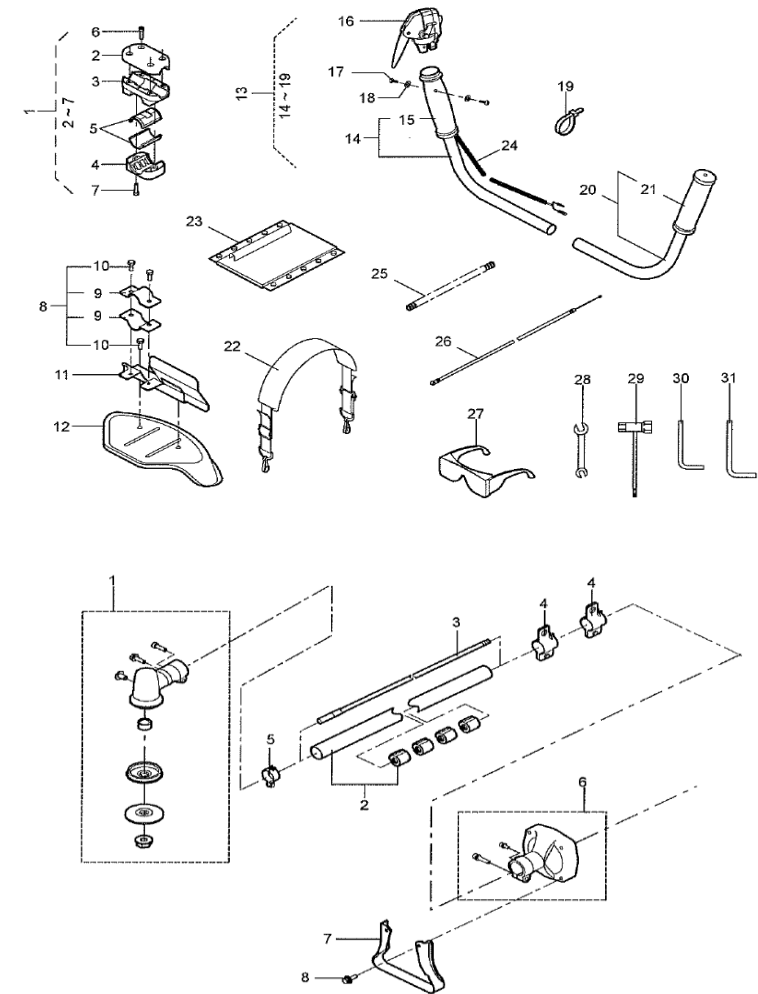
B3-6	812V1500	Stop Ring/ C.Snap Ring
B3-7	416N0630	Socket Screw
B3-8	413N0515	Socket Screw (W/SW)

4		Gear Case Assy
Part No		Name
B4-1	71008-319	Gear Case Assy
B4-2	51001-266	Gear Case
B4-3	64001-140	Gear Shaft/Spline Shaft
B4-4	78002-173	Pinion/Bevel Pinion
B4-5	78001-153	Gear / Bevel Gear
B4-6	11001-148	Holder A
B4-7	11002-115	Holder B
B4-8	61001-121	Spline Sleeve
B4-9	31001-106	Saw Lock Nut
B4-10	912B6001	Bearing 6001 ZZ
B4-11	913B6001	Bearing 6001
B4-12	919B6202	Bearing 6202 C3
B4-13	61002-107	Oil Seal (TC20357)
B4-14	812V1200	Stop Ring/ C. Snap Ring
B4-15	811V2800	Stop Ring/ C. Snap Ring
B4-16	811V3500	Stop Ring/ C. Snap Ring
B4-17	322N0810	Hexagon Bolt
B4-18	412N0620	Socket Screw
B4-19	413N0515	Socket Screw (W/SW)

1	Handle & Fitting - TC-2	
Part No	Ref No	Name
B 1-1	71011-149	N/A
B 1-2	51009-142	Cap Up-Handle/Handle Joint (A)
B 1-3	51010-145	Bracket Handle/Handle Joint (B)



B 1-4	51013-121	Cap Lower-Handle/Handle Joint (C)
B 1-5	36005-161	Rubber-Handle
B 1-6	412N-0620	Socket Screw M6x20
B 1-7	412N-0625	Socket Screw M6x25
B 1-8	71038-162	Safety Guard Bracket/Band Set
B 1-9	11029-132	Safety Guard Bracket/Band
B 1-10	318L-0620	(+)Hexagon Bolt M6x20
B 1-11	11113-352-09	Stay
B 1-12	36046-156-09	Safety Guard
B 1-13	71014-189	Right Handle Assy
B 1-14	71014-185	Right Handle/Handle Assy
B 1-15	36007-130	Right Handle Grip
B 1-16	71056-106	Throttle Lever Assy
B 1-17	464L-0410	(+)Tapping Screw
B 1-18	661L-0400	Spring Lock washer
B 1-19	68028-103	Wire band
B 1-20	71041-186	Left Handle Assy
B 1-21	36007-129	Left Handle Grip
B 1-22	36063-187	Harness Assy/Shoulder Band
B 1-23	36016-118	Protector
B 1-24	41003-125	Tube
B 1-25	41003-128	Tube
B 1-26	91001-172	Throttle Cable/Wire
B 1-27	91072-104	Grasses
B 1-28	66005-101	Spanner
B 1-29	66006-117	Box Spanner
B 1-30	66007-103	L Wrinch
B 1-31	66007-104	L Wrinch



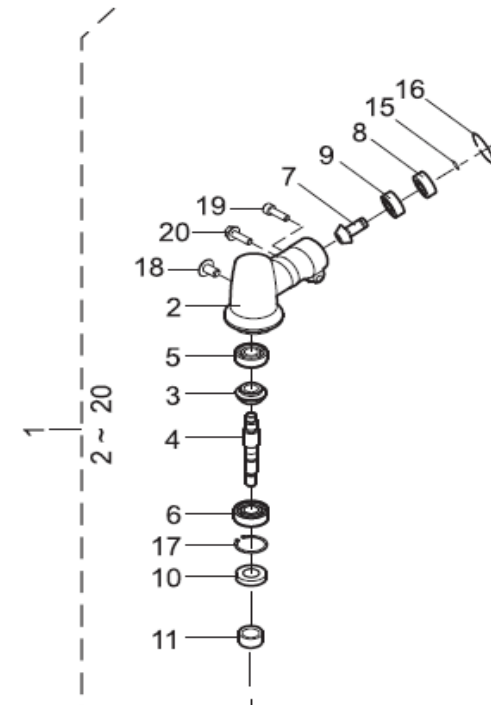
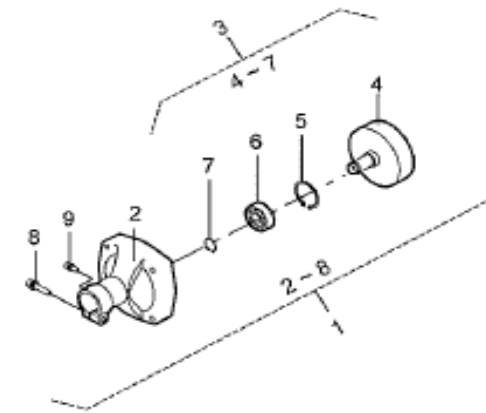
2 Gear Case & Driving Apparatus

Part No	Ref No	Name
B2-1	71008-307	Gear Case Assy

B2-2	71130-157	Outer Pipe/Main Pipe CP
B2-3	64011-219	Drive Shaft/Main Shaft
B2-4	71012-130	Holder Assy 1/Hanger Band Assy
B2-5	71012-121	Holder Assy 2/Hanger Band Assy
B2-6	71010-214	N/A
B2-7	11024-130-09	Stand-Clutch Comp
B2-8	315L-0635	Hex Bolt M6x35

3 Clutch Case Assy

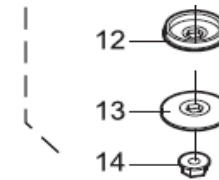
Part No	Ref No	Name
B3-1	71010-214	Clutch Comp Assy/Clutch Case Assy
B3-2	51030-167	Linker/Clutch Case
B3-3	71034-152	Clutch Drum Assy
B3-4	11014-193	Clutch Drum CP
B3-5	811V-3500	Stop Ring 35/C-Snap Ring
B3-6	912B-6202	Bearing 6202 ZZ
B3-7	812V-1500	Stop Ring 15/C-Snap Ring
B3-8	416N-0630	Socket Screw (W/SW) M6x30
B3-9	413N-0515	Socket Screw (W/SW) M5x15



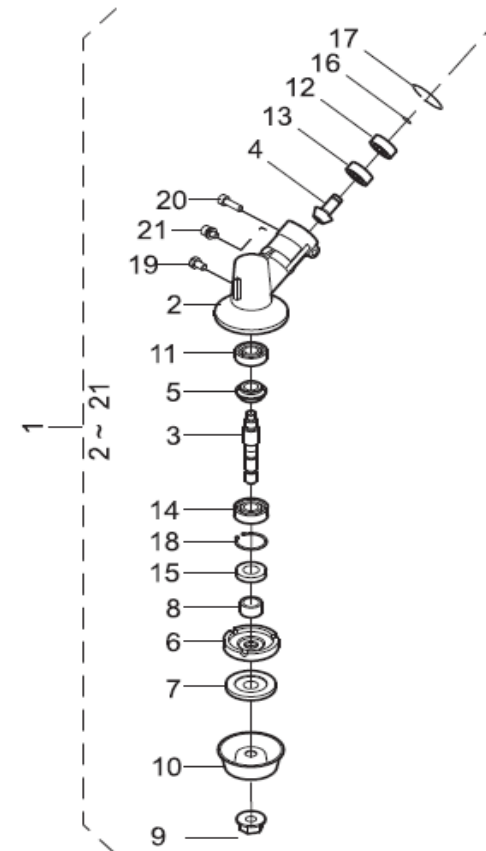
4 Gear Case Assy - 90 Degree

Part No	Ref No	Name
B4-1(90)	71008-307	Gear Case Assy
B4-2	51001-258	Gear Case
B4-3	78001-148	Gear/Bevel Gear
B4-4	64001-157	Gear Shaft/Spline Shaft
B4-5	913B-0629	Bearing
B4-6	919B-6202	Bearing
B4-7	78002-168	Pinion/Bevel Pinion
B4-8	912B-6000	Bearing
B4-9	913B-6000	Bearing

B4-10	61002-107	Oil Seal
B4-11	61001-121	Spline Sleeve
B4-12	11001-164	Holder (A)
B4-13	11002-142	Holder (B)
B4-14	31001-106	Saw Locknut
B4-15	812V-1000	Stop Ring/C-Snap Ring For Shaft
B4-16	811V-2600	Stop Ring/C-Snap Ring
B4-17	811V-3500	Stop Ring/C-Snap Ring
B4-18	377L-0810	Grease Bolt/(+)Binding screw
B4-19	412U-0620	Socket Screw
B4-20	335M-0512	Flange Bolt



4 Gear Case Assy - 45 Degree		
Part No	Ref No	Name
B4-1	71008-318-104	Gear Case Assy
B4-2	51001-267-104	Gear Case
B4-3	64001-144	Gear Shaft/Spline Shaft
B4-4	78002-170	Pinion/Bevel Pinion
B4-5	78001-150	Gear/Bevel Gear
B4-6	11001-150	Holder (A)
B4-7	11002-126	Holder (B)
B4-8	61001-119	Spline Sleeve
B4-9	31001-106	Saw Locknut
B4-10	11027-119	Cover Metal/Stablizer
B4-11	913B-0629	Bearing
B4-12	912B-6000	Bearing
B4-13	913B-6000	Bearing
B4-14	919B-6201	Bearing
B4-15	61002-128	Oil Seal
B4-16	812V-1000	Stop Ring/C-Snap Ring
B4-17	811V-2600	Stop Ring/C-Snap Ring



B4-18	811V-3200	Stop Ring/C-Snap Ring
B4-19	322N-0810	Grease Bolt/(+)Hexagon Bolt
B4-20	412N-0620	Socket Screw
B4-21	413N-0515	Socket Screw(W/SW)