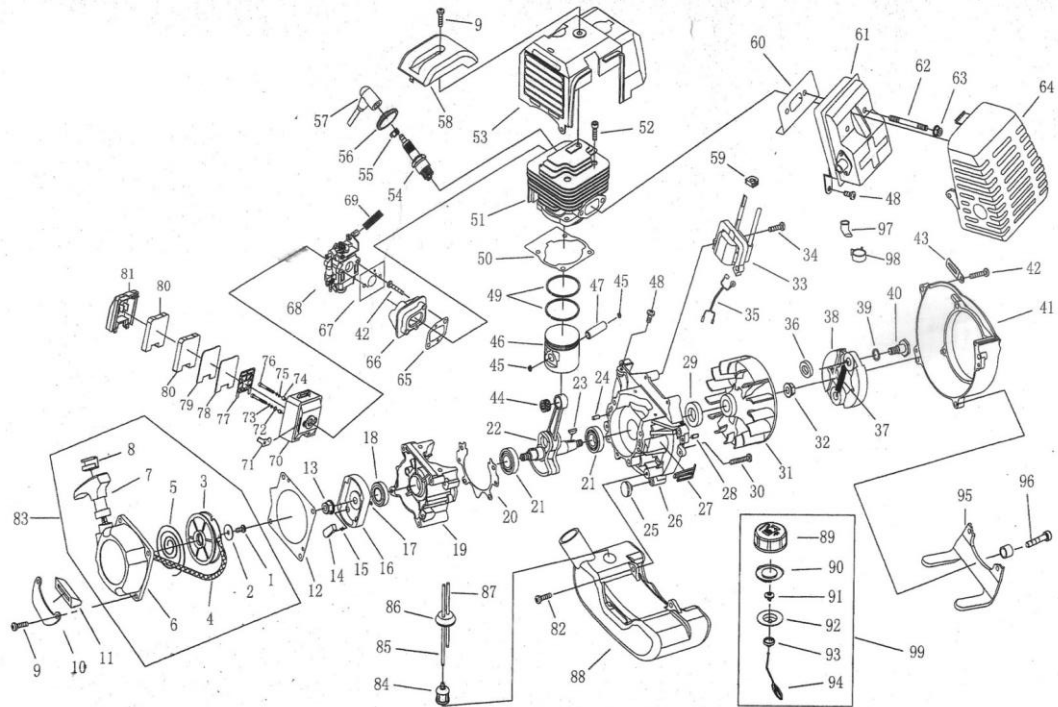
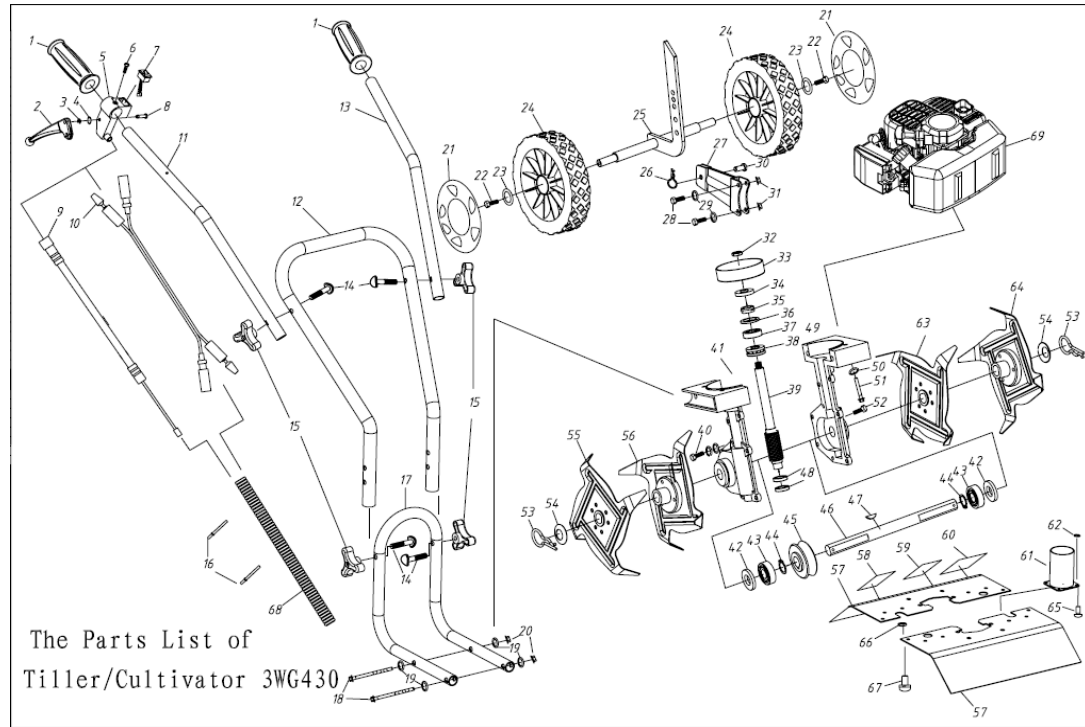


ENGINE KK-IC 8626			
Part No	Part Name	Part No	Part Name
1	Screw-Rope Reel	51	Cylinder
2	Washer-Rope Reel	52	Screw M5x20-Allen
3	Rope Reel	53	Guide Cover Assy
4	Starter Rope	54	Spark Plug
5	Recoil Spring	55	Spring-Spark Plug
6	Starter Cover	56	Dust Cover-Spark Plug
7	Starter Handle	57	Cap-Spark Plug
8	Ring-Starter Handle	58	Cover
9	Screw M5x20-Star	59	Grommet-Coil
10	Stand-Starter	60	Gasket-Muffler
11	Rubber Cover-Stand Starter	61	Muffler
12	Gasket-Starter	62	Stud Bolt
13	Nut M8-Flanged Hex	63	Nut M6-Flanged Hex
14	Start Claw	64	Muffler Cover
15	Claw Spring	65	Gasket-Insulator
16	Start Reel	66	Insulator
17	E ring 4	67	Gasket-Carburetor
18	Oil Seal 12x22x7(Small)	68	Carburetor (Walbro)
19	Crankcase Small	69	Spring-Throttle Cable
20	Gasket-Crankcase	70	Air Cleaner Inside Cover
21	Bearing 6202	71	Choker
22	Crankshaft Assy	72	Under Washer
23	Key 3x13-Crank Shaft	73	Washer 5-Spring
24	Pin B5x12-Crankcase	74	Sleeve-Air Filter
25	Rubber Washer-Fuel Tank	75	Washer 5-Plain
26	Crankcase Big	76	Screw M5x50-Allen
27	Guide Cover	77	Plate-Filter
28	Pin B4x10-Fan Cover	78	Screen-Filter
29	Oil Seal 15x30x7 (Big)	79	Felt-Filter
30	Screw M5x30-Star	80	Air Filter Sponge
31	Fly Wheel	81	Air Cleaner Outside Cover
32	Nut M8-Flanged Hex	82	Screw M5x16-Star
33	Ignition Coil	83	Starter Assy
34	Screw M5x20-Hex	84	Petrol Filter
35	Cord Comp-Wire	85	Fuel Pipe Long
36	Washer B-Clutch	86	Fuel Pipe Grommet
37	Spring-Clutch	87	Fuel Pipe Short
38	Clutch Shoe Assy	88	Fuel Tank
39	Washer A-Clutch	89	Fuel Tank Lid
40	Clutch Bolt	90	Gasket-Fuel Tank Lid
41	Fan Cover	91	N/A
42	Screw M5x25-Hex	92	N/A
43	Clip	93	N/A
44	Needle Bearing-Piston Pin	94	N/A
45	Circlip-Piston Pin	95	N/A
46	Piston	96	Screw M5x30-Hex
47	Piston Pin	97	Out Let-Muffler
48	Screw M5x12-Star	98	Pipe Clip
49	Piston Ring	99	Buy #89 Fuel Tank Lid
50	Gasket-Cylinder		



BODY			
Part No	Part Name	Part No	Part Name
1	Handle Grip	36	Washer-Worm Shaft
2	Throttle Lever	37	Bearing 6002
3	E Ring 3.5	38	Worm Thrust Bearing 51202
4	Washer 5-Plain	39	Worm Shaft
5	Throttle Bracket	40	Screw M6x18-Hex
6	Screw ST4.8x19	41	Left Gear Housing
7	Switch On/Off	42	Oil Seal 18.9x30x5
8	Pin-Throttle Lever	43	Bearing 6004 Z
9	Throttle Cable	44	Stop Ring 20-Outer
10	Connecting Conductor-Wire	45	Turbine
11	Right Handle	46	Transmission Shaft
12	Middle Handle	47	Key 5x6.5x16-Transmission Shaft
13	Left Handle	48	Bearing 6802 Z
14	Cap Screw	49	Right Gear Housing
15	Knob Handle	50	Washer 6-Plain
16	Tie Strap	51	Screw M6x40-Hex
17	Lower Handle	52	Screw M6x10-Hex
18	Screw M8x150-Hex	53	Blade Retaining Pin
19	Saddle-Backed Washer	54	Dishing Washer
20	Nut M8-Flanged Hex	55	Blade A
21	Wheel Cup	56	Blade B
22	Screw M6x12-Hex	57	Fender Guard
23	Washer 6-Plain	58	N/A
24	Wheel Assy	59	N/A
25	Axle Assy	60	N/A
26	Lock Pin-Bracket	61	Cover-Vent Pipe
27	Bracket-Axle	62	Nut M4-Hex
28	Screw M6x25-Hex	63	Blade C
29	Washer 6-Plain	64	Blade D
30	Clevis Pin 8x18	65	Screw M4x14-Hex
31	Nut M6-Flanged Hex	66	Nut M5-Hex
32	Nut M10-Hex	67	Screw M5x10-Hex
33	Clutch Drum	68	Pipe-Throttle Cable
34	Big Busing Cuprum	69	N/A
35	Small Busing Cuprum		



The Parts List of  
Tiller/Cultivator 3WG430