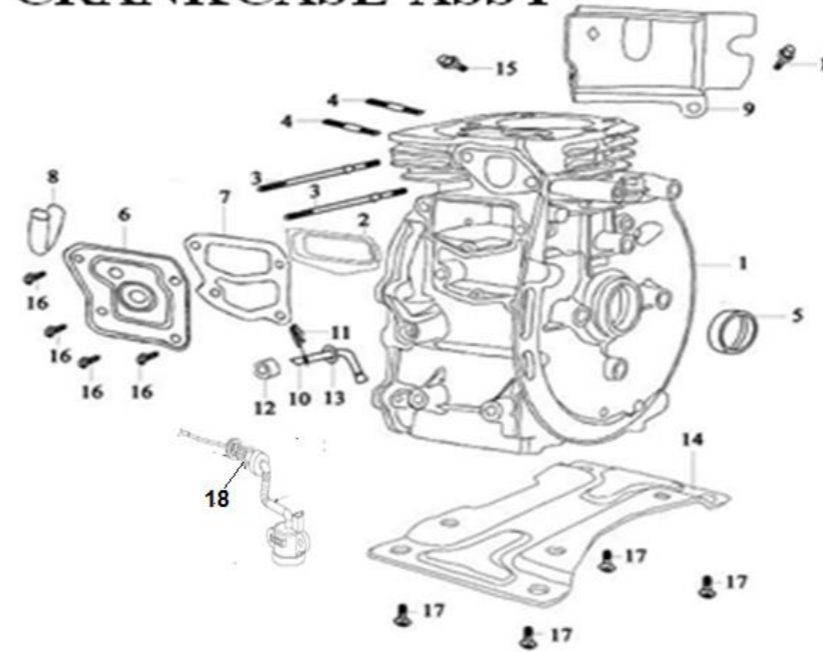


GE-100 CRANKCASE ASSY

S/N	Part No	K K Name
1	1-1	Crankcase
2	1-2	Valve chamber clapboard sub-assy
3	1-3	Stud M5×118
4	1-4	Stud M6×52
5	1-5	Oil seal(17×30×6), crankshaft
6	1-6	Cover, oil filter
7	1-7	Gasket-Cover Oil Filter
8	1-8	Return pipe
9	1-9	Flow guard, lower
10	1-10	Sway bar
11	1-11	Keeper, sway bar
12	1-12	Oil seal, sway bar
13	1-13	Washer, sway bar
14	1-14	Bottom plate
15	1-15	Bolt M6×14
16	1-16	Bolt M5×10
17	1-17	Bolt M8×14
18	1-18	Oil Sensor

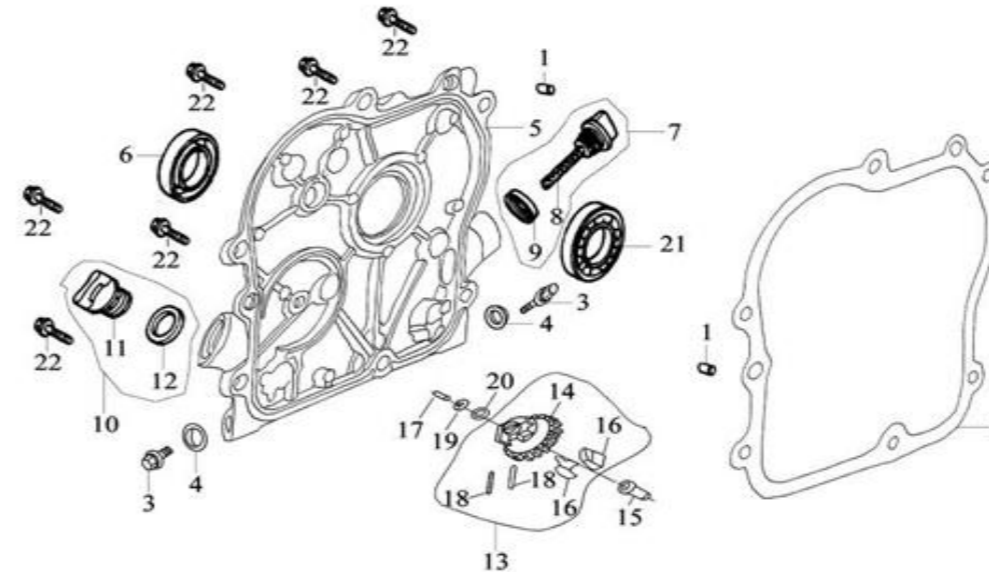
CRANKCASE ASSY



GE-100 CRANKCASE COVER ASSY

S/N	Part No	
1	2-1	Set pin $\phi 8 \times 14$
2	2-2	Gasket, crankcase
3	2-3	Drain plug
4	2-4	Washer -Drain Plug
5	2-5	Crankcase cover
6	2-6	Oil seal(17×30×6), crankshaft
7	2-7	Dipstick sub-assy
8	2-8	OIL Dipstick
9	2-9	Seal, dipstick
10	2-10	Oil plug sub-assy
11	2-11	Oil plug
12	2-12	Seal, oil plug
13	2-13	Driven gear sub-assy, governor
14	2-14	Driven gear, governor
15	2-15	Sliding sleeve
16	2-16	Flyweight
17	2-17	Governing shaft
18	2-18	Pin, flyweight
19	2-19	Snap ring
20	2-20	Washer, driven gear
21	2-21	Bearing 6203
22	2-22	Bolt M6×29

CRANKCASE COVER ASSY



GE-100 CYLINDER COVER

S/N	Part No	
1	3-1	Gasket, cylinder head
2	3-2	Cylinder cover
3	3-3	Spark plug
4	3-4	Bolt M6×35
5	3-5	Flow Guard-Upper

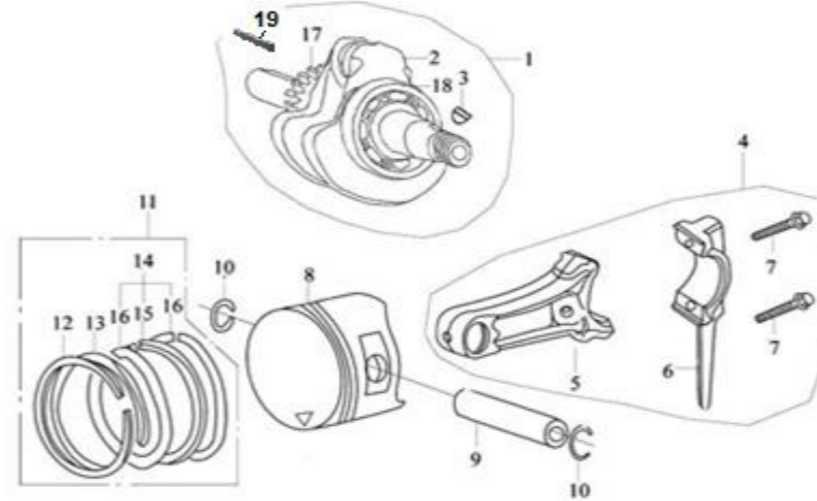
CYLINDER COVER



GE-100 CRANKSHAFT, PISTON & CONNECTING ROD

S/N	Part No	
1	4-1	Crankshaft sub-assy
2	4-2	N/A
3	4-3	Woodruff key
4	4-4	Connecting rod
5	4-5	N/A
6	4-6	N/A
7	4-7	Bolt M5×24
8	4-8	Piston
9	4-9	Piston pin
10	4-10	Circlip, piston pin
11	4-11	Piston ring set
12	4-12	N/A
13	4-13	
14	4-14	
15	4-15	
16	4-16	
17	4-17	Timing driving gear
18	4-18	Bearing 6203
19	4-19	Key(pully) 5x5x35

CRANKSHAFT, PISTON & CONNECTING ROD

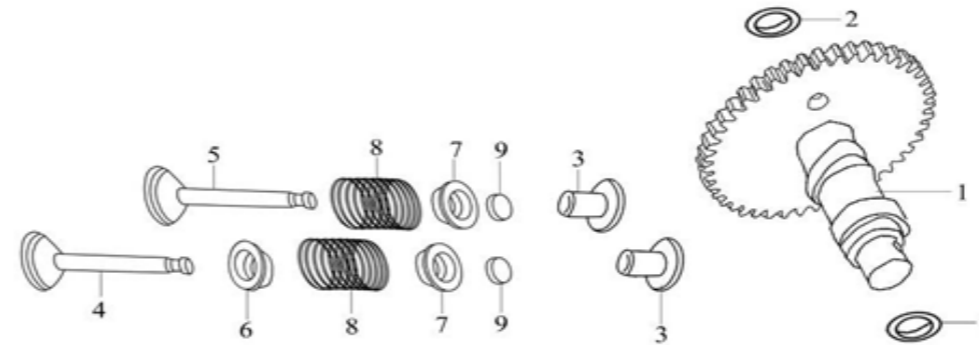


GE-100 COMBINATION OF CAMSHAFT & VALVE

S/N	Part No	
1	5-1	Camshaft
2	5-2	Washer, camshaft

3	5-3	Tappet
4	5-4	Intake valve
5	5-5	Exhaust valve
6	5-6	Oil seal, valve stem
7	5-7	Spring seat, valve
8	5-8	Valve spring
9	5-9	Cap (Valve)

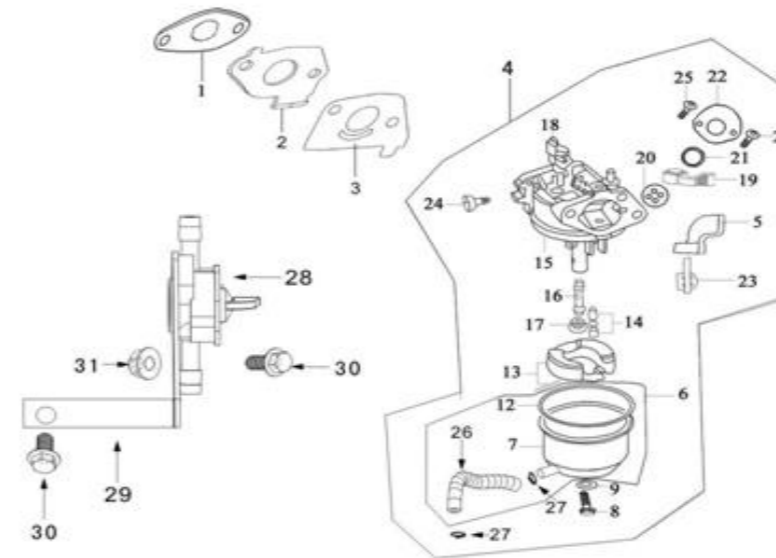
COMBINATION OF CAMSHAFT & VALVE



GE-100 CARBURETOR ASSY

S/N	Part No	
1	6-1	Gasket, intake port
2	6-2	Block Carburetor/ Connecting block
3	6-3	Gasket, carburetor
4	6-4	Carburetor assy
5	6-5	Choke lever
6	6-6	Float chamber sub-assy
7	6-7	Float chamber
8	6-8	Screw(Float chamber)
9	6-9	Seal, screw
12	6-12	Gasket, float chamber
13	6-13	Float sub-assy
14	6-14	Needle valve
15	6-15	Mixture chamber body
16	6-16	Main nozzle
17	6-17	Main jet
18	6-18	Throttle unit
19	6-19	Throttle lever
20	6-20	Airproof washer
21	6-21	Washer
22	6-22	Cover
24	6-24	Idle adjusting screw
25	6-25	Screw M4×6
26	6-26	Tubing
27	6-27	Pipe clamp
28	6-28	Fuel cock/Oil switch (for drain)
29	6-29	A mounting block
30	6-30	Bolt M6×14
31	6-31	Nut M6

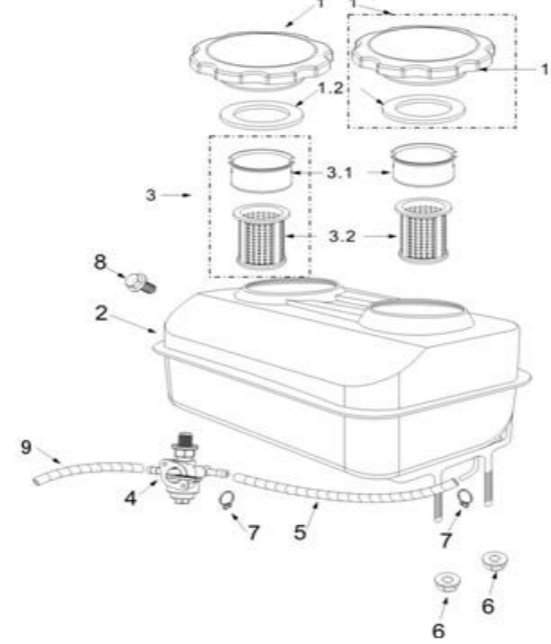
CARBURETOR ASSY



GE-100 FUEL TANK ASSY

S/N	Part No	
1	7-1	Fuel filler cap sub-assy
1.1	7-1.1	Fuel filler cap
1.2	7-1.2	Packing (Fuel cap)
2	7-2	Fuel tank
3	7-3	Fuel Filter(Upper)
4	7-4	Oil Switch/Fuel Cock
5	7-5	Fuel Tube 200mm
6	7-6	Nut M6
7	7-7	Pipe clamp/clip fuel tube
8	7-8	Bolt M4×6
9	7-9	Fuel Tube 130mm

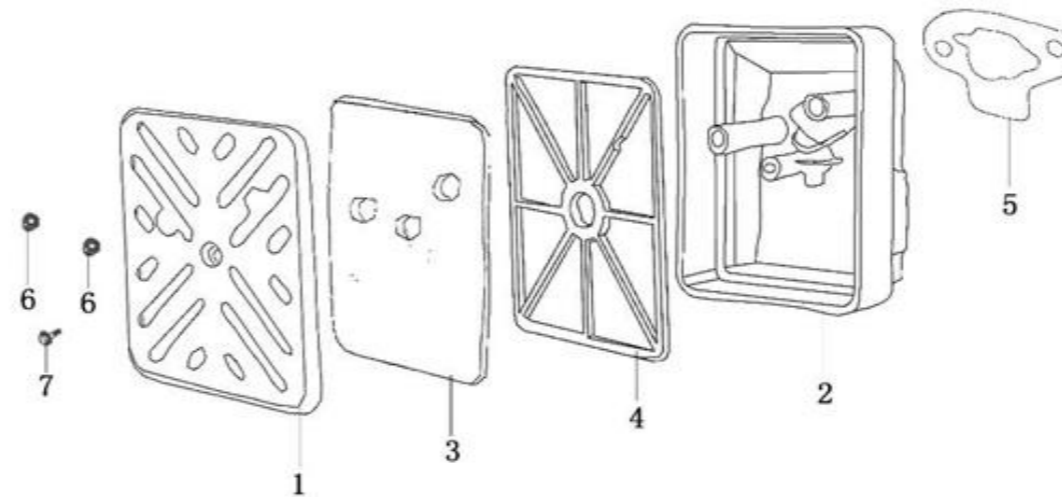
FUEL TANK ASSY



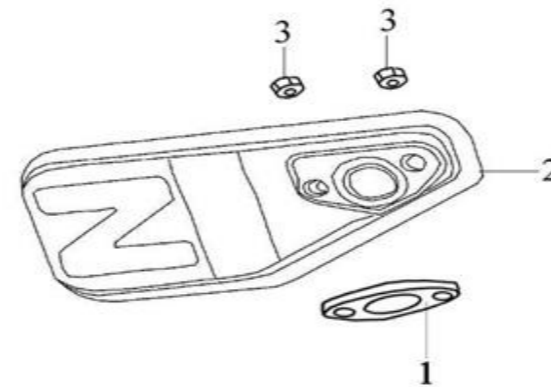
AIR CLEANER ASSY

GE-100 AIR CLEANER ASS Air cleaner assy

S/N	Part No	
1	8-1	Cover, air cleaner
2	8-2	Housing, air cleaner
3	8-3	Foam, air cleaner
4	8-4	Bracket, air cleaner
5	8-5	Gasket, air cleaner
6	8-6	Nut M5
7	8-7	Self-tapping screw ST4×10



MUFFLER

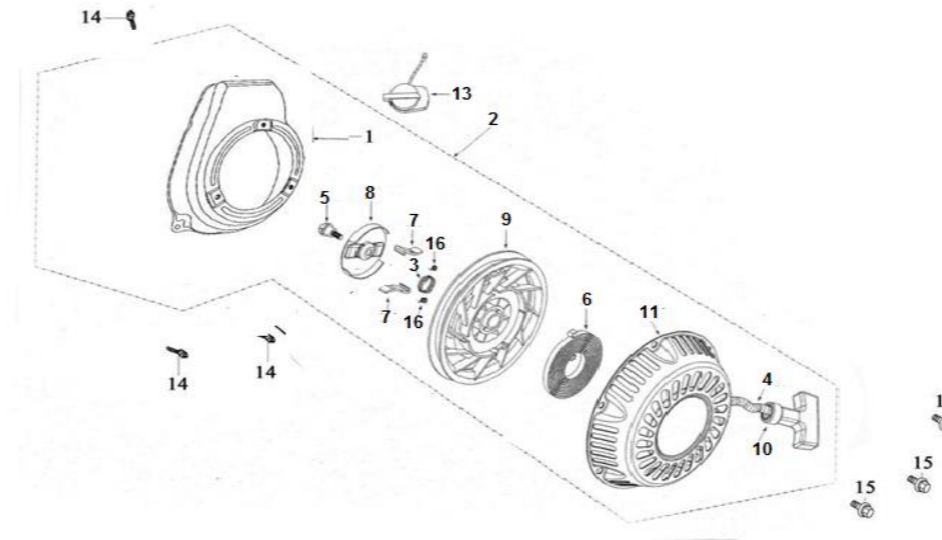


GE-100 MUFFLER

S/N	Part No	
1	9-1	Gasket, exhaust port
2	9-2	Exhaust muffler
3	9-3	Nut M6
4	9-4	Muffler Protector (Wire Net)

GE-100 RECOIL STARTER

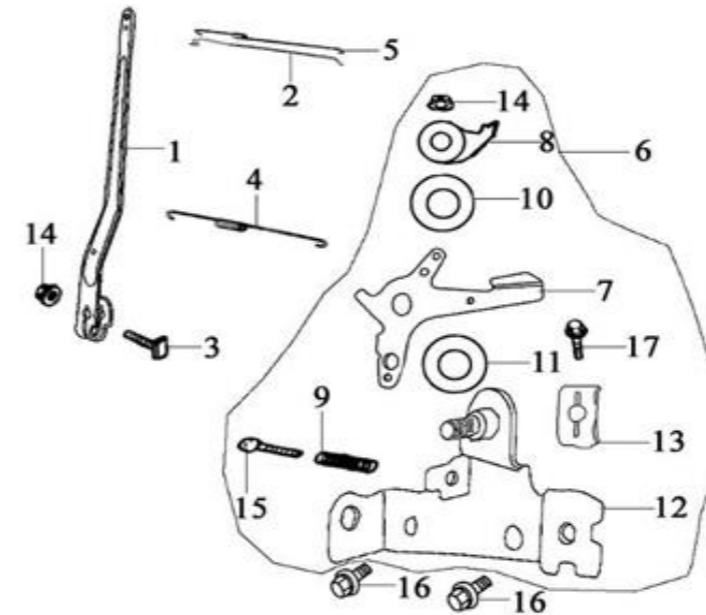
S/N	Part No	
1	10-1	Fan Cover
2	10-2	Recoil starter Assy
3	10-3	Friction spring
4	10-4	Rope </td
5	10-5	Shoulder screw
6	10-6	Recoil Spring/Spiral spring
7	10-7	Ratchet
8	10-8	Guide Plate
9	10-9	Rope Reel
10	10-10	Starter Handle
11	10-11	Starter Cover
12	10-12	N/A
13	10-13	Engine switch
14	10-14	Bolt M6×10
15	10-15	Bolt M6×14
16	10-16	Ratchet Spring



GE-100 GOVERNING CONTROL SYSTEM

S/N	Part No	
1	11-1	Governor arm
2	11-2	Pull-rod, governor
3	11-3	Lock bolt
4	11-4	Return spring
5	11-5	Assistant spring, governor
6	11-6	Mount, governor
7	11-7	Handle
8	11-8	Positioning plate
9	11-9	Spring, governor
10	11-10	Wave washer
11	11-11	Washer
12	11-12	Supporting plate unit
13	11-13	Pressure plate

GROVERNING CONTROL SYSTEM

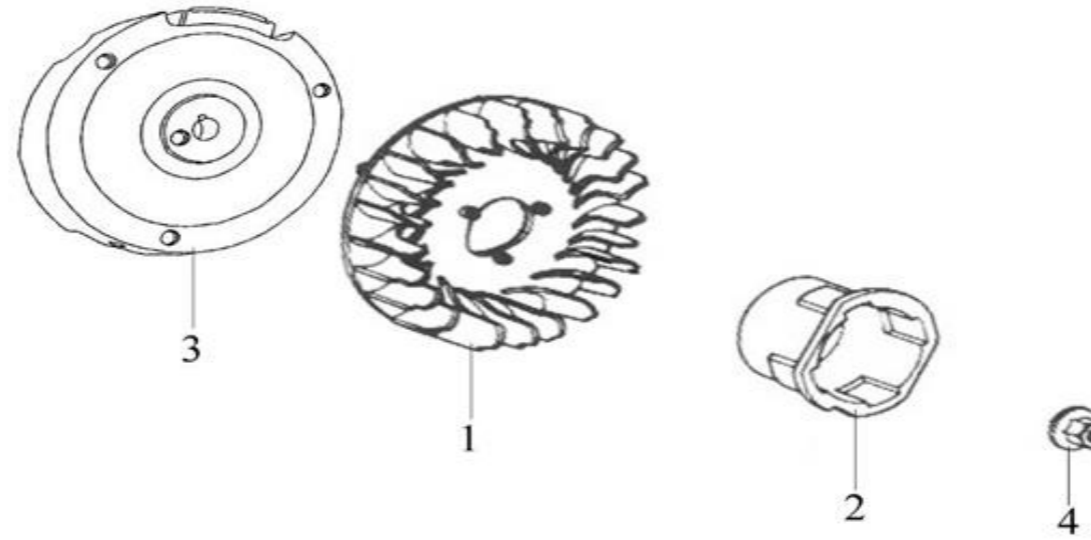


14	11-14	Nut M6 (Self lock)
15	11-15	Bolt M5×25
16	11-16	Bolt M6×14
17	11-17	Bolt M5×16

GE-100 FLYWHEEL

S/N	Part No	
1	12-1	Fan, flywheel
2	12-2	Starter Sleeve
3	12-3	Flywheel
4	12-4	Nut M12×1.25

FLYWHEEL



GE-100 IGNITION COIL

S/N	Part No	
1	13-1	Cap, spark plug
2	13-2	Cable, engine stop
3	13-3	Ignition coil sub-assy
4	13-4	Ignition coil
5	13-5	Bolt M6×25

IGNITION COIL

