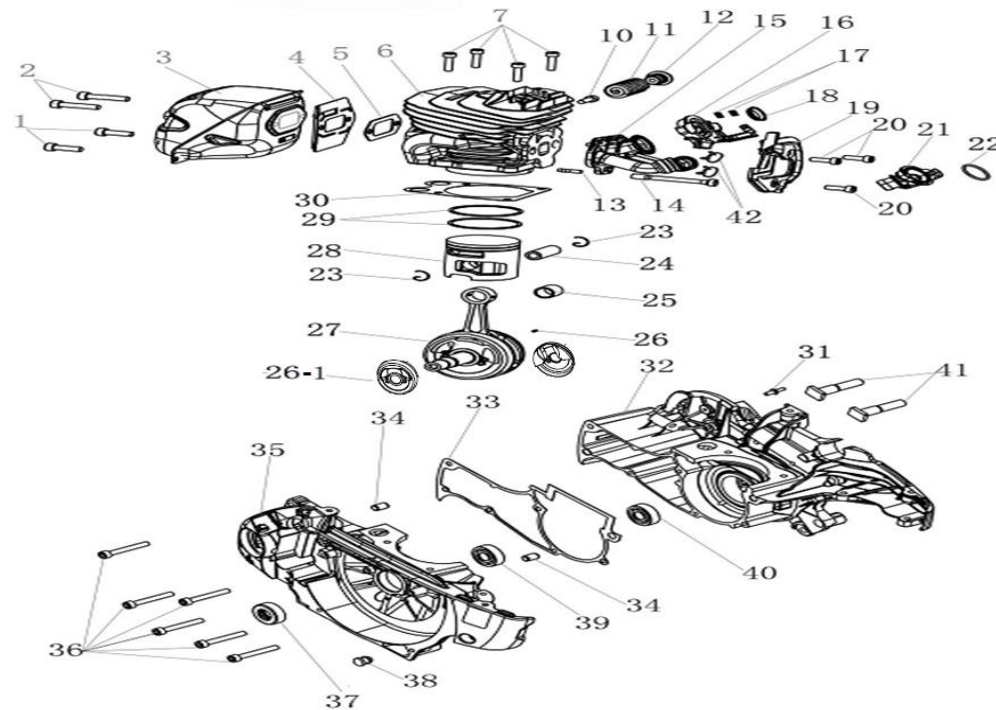


KK-CPS-7524		
KK-P-NO	KK-PART NAME	Qty
A01	Screw M6x14(Trox)	2
A02	Screw M6x20(Trox)	2
A03	Muffler Assy	1
A04	Distributing Fin(Muffler)	1
A05	Muffler Gasket	2
A06	Cylinder	1
A07	Screw M5x25(Trox)	4
A10	Screw M5x16(Trox)	1
A11	Cylinder Damping Spring	1
A12	Cylinder Damping Spring Bracket	1
A13	Vacuum Pipe Nib	1
A14	Vacuum Pipe	1
A15	Air Inlet Pipe (Inner)	1
A16	Carburetor Support	1
A17	Nut M4	2
A18	Inlet Pipe Bushing	1
A19	Air Inlet Pipe Bracket	1
A20	Screw M5x13(Trox)	3
A21	Air Inlet Pipe (Outer)	1
A22	O Ring 21.2x1.8 (Inlet Pipe Outer)	1
A23	Circlip(Piston pin)	2
A24	Piston Pin	1
A25	Needle Bearing (Piston pin)	1
A26	Key 3x5x13(Crankshaft)	1
A26-1	Crank Cover Assy	2
A27	Crankshaft Assy	1
A28	Piston	1
A29	Piston Ring	2
A30	Cylinder Gasket	1
A31	Pin Shaft(Brake)	1

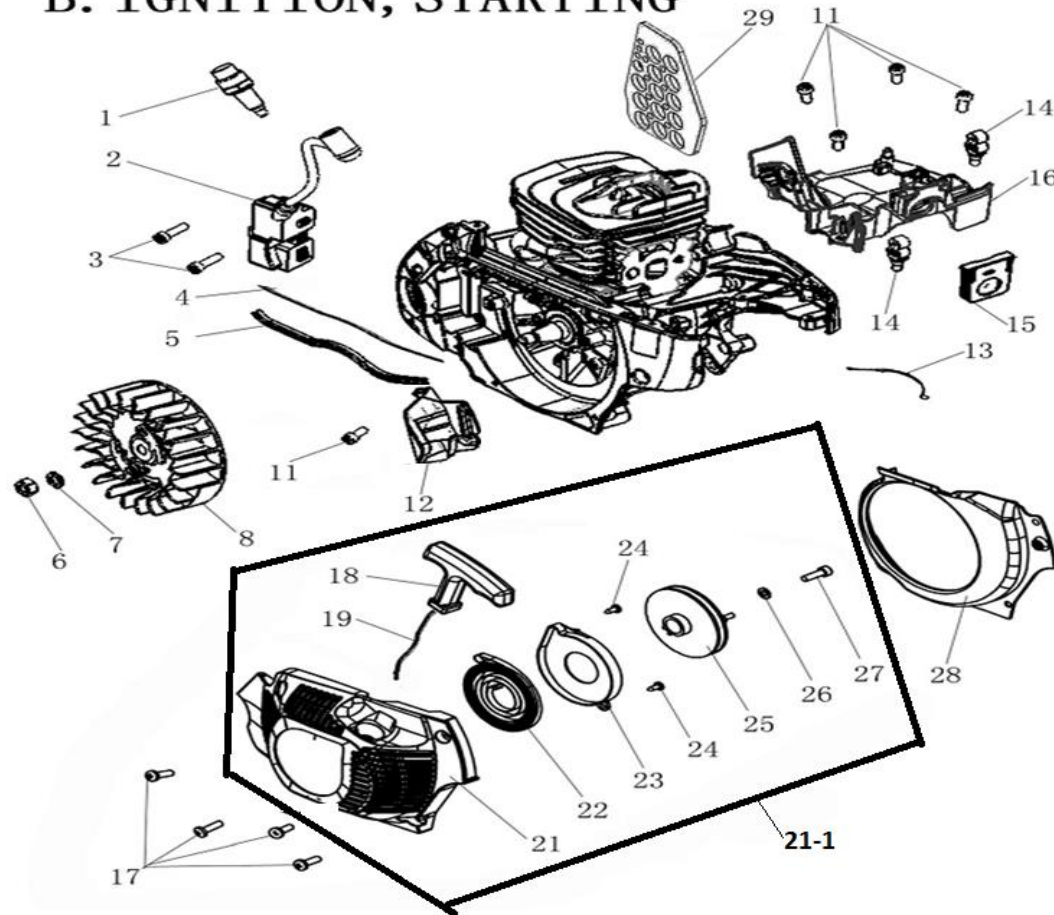
## A. POWER UNIT



A32	Right Crankcase	1
A33	Gasket(Crankcase)	1
A34	Positioning Sleeve	2
A35	Left Crankcase	1
A36	Screw M5x32(Trox)	6
A37	Oil seal-17x6x6(Small)	1
A38	Crankcase Damper	2
A39	Bearing 6202	1
A40	Bearing 6202-2RS(15x35x12)	1
A41	Bar Bolt	2
A42	Clip for inlet pipe	2

		Qty
B01	Spark Plug	1
B02	Ignition Coil	1
B03	Screw M5x18(Trox)	2
B04	Flame out Wire	1
B05	Wire Lead	1
B06	Nut M8x1	1
B07	Spring Washer-8	1
B08	Fly Wheel Assy	1
B11	Screw M5x14(Trox)	5
B12	Guide Plate	1
B13	Ground Wire	1
B14	Damper for Air Filter Bracket	2
B15	Grommet Throttle Wire	1
B16	Plastic Plate	1
B17	Screw M5x16 (Trox)	4
B18	Starter Handle	1
B19	Starter Rope	1
B21	Starter Cover	1
B21-1	Starter assy	
B22	Recoil Spring	1

## B. IGNITION, STARTING

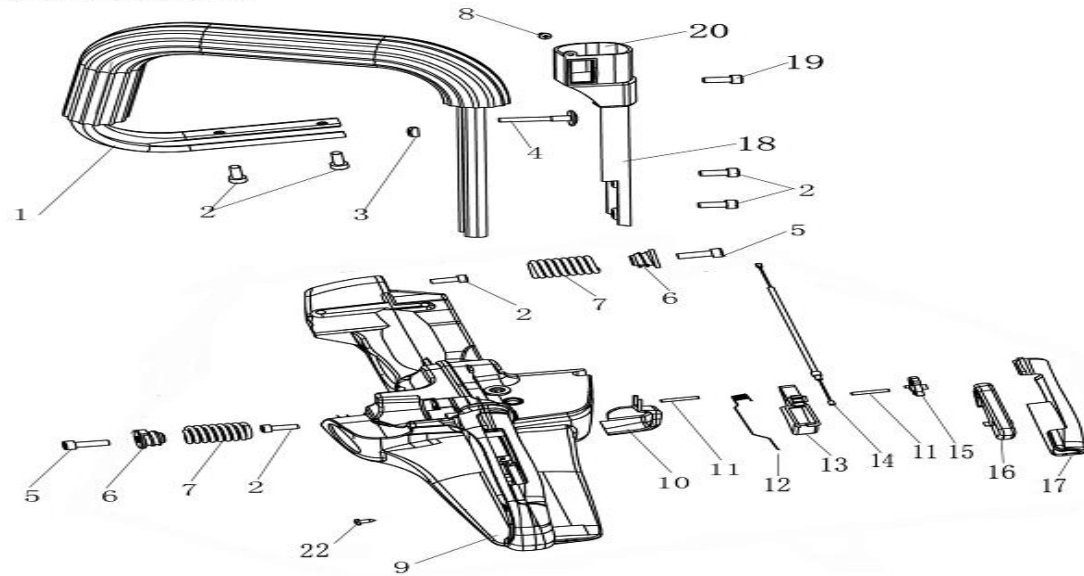


B23	Gland(Recoil Spring)	1
B24	Screw ST3.5x11 F(Gland)	2
B25	Rope Reel	1
B26	Washer (Rope Reel)	1
B27	Screw ST 4.8x12 F(Rope Reel)	1
B28	Fan Cover	1
B29	Filter Screen	1

		Qty
C01	Front Handle	1
C02	Screw ST 5.5x20 F	6
C03	N/A	1
C04	N/A	1
C05	Bolt M6x16(Trox)	2
C06	Damper Spring Seat	2
C07	Damper Spring	2
C08	Screw ST 3.5x10 F	1
C09	Rear Handle	1
C10	Décoration Plate	1
C11	Pin 3x24	2
C12	Throttle Spring	1
C13	Throttle Trigger	1
C14	Throttle Wire Assy	1
C15	Throttle Wire Reel	1
C16	Throttle Lock	1
C17	Throttle Trigger Cover	1
C18	Heater Switch Seat	1
C19	Screw M5x20(Trox)	1
C20	Heater Switch Seat Cover	1
C22	Screw ST 3.9x14 F	1

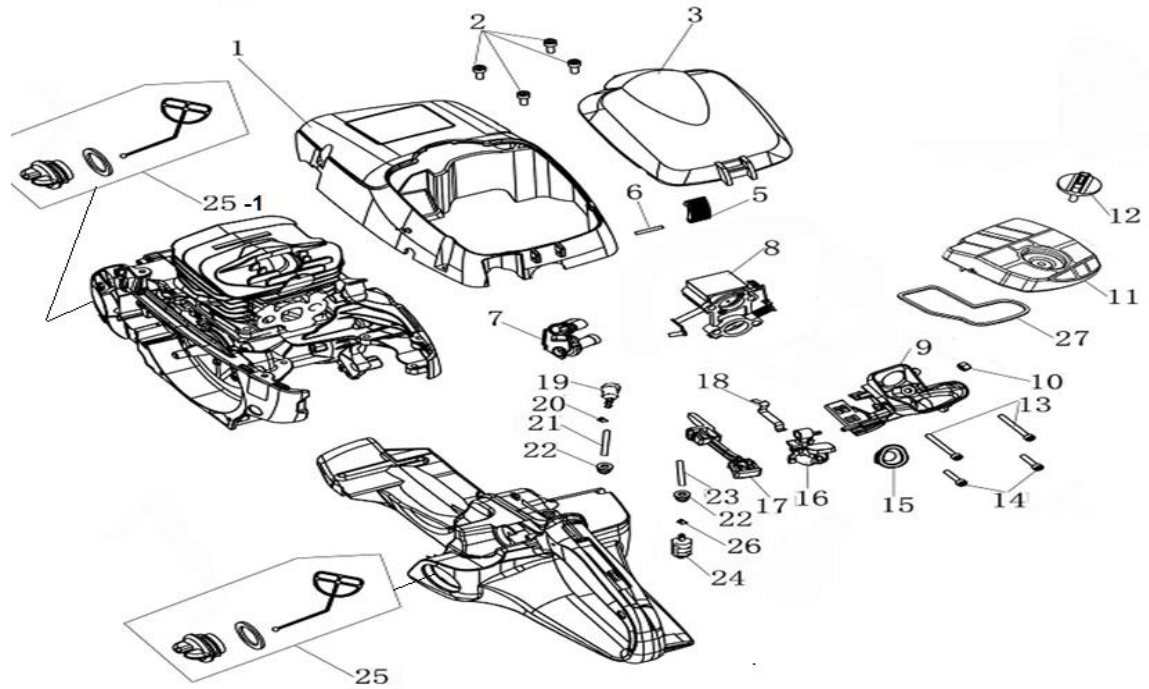
		Qty
D01	Cylinder Top Cover	1

### C. HANDLE



D02	Screw M5x12(Trox)	4
D03	Air Filter Cover	1
D05	Lock Air Filter Cover	1
D06	Pin 3x24	1
D07	Carb adjusting Guide	1
D08	Carburetor	1
D09	Air Filter Bracket	1
D10	Nut	1
D11	Air Filter	1
D12	Air Filter Screw	1
D13	Carburetor Screw 5x50(Trox)	2
D14	Screw M4x20(Trox)	2
D15	Grommet For Choke	1
D16	Switch on/off	1
D17	Choke Knob	1
D18	N/A	1
D19	Breather Assy	1
D20	Pipe Clip	1
D21	Hose 9.5" For Breather	1
D22	Grommet(Breather/Fuel Pipe)	2
D23	Fuel Pipe-12.5"(Long)	1
D24	Fuel Filter	1
D25	Fuel Tank Cap	1
D25-1	Oil Tank Cap	
D26	Fuel Pipe Clip 6.3	1
D27	Air Filter Gasket	1

## D. FUELING SYSTEMS

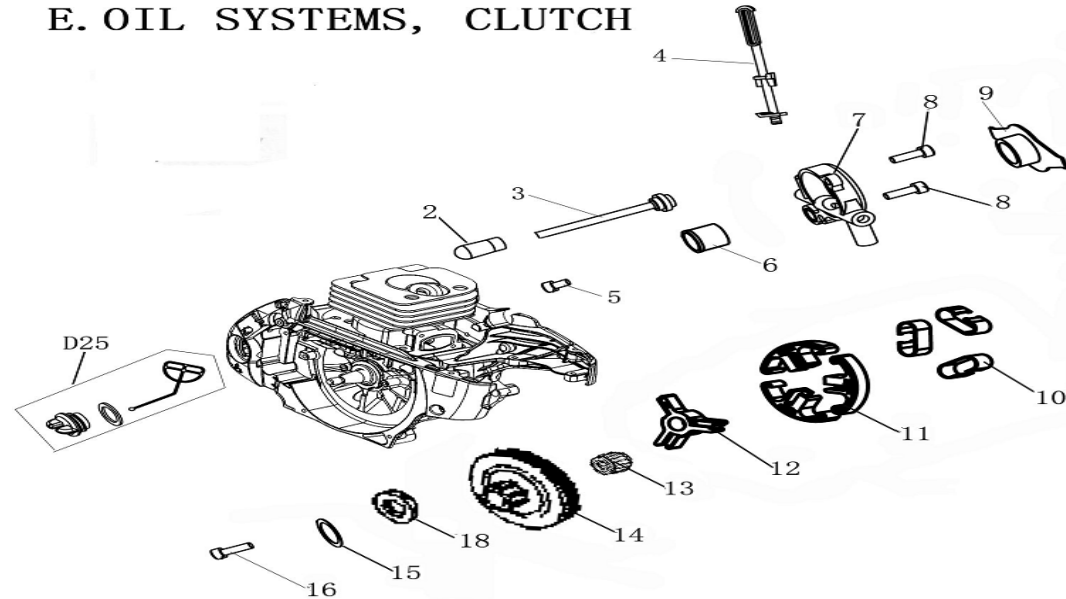


		Qty
E02	Oil Fliter Assy	1
E03	Oil Pump Pipe (Inner)	1
E04	Spray Tube	1
E05	Check Valve	1
E06	Worm Bush	1

E07	Oil Pump	1
E08	Screw M5x12(Trox)	2
E09	Worm	1
E10	Clutch Spring	3
E11	Clutch Shoe	3
E12	Retainer(Clutch)	1
E13	Needle Bearing(Clutch)	1
E14	Clutch Drum	1
E15	Ring Washer(Clutch)	1
E16	Screw M6x10 Left thread	1
E18	Sprocket	1

		Qty
F01	Front Hand Guard	1
F02	Bush(Front Hand Guard)	2
F03	Screw(Front Hand Guard)	2
F04	Pin 5x13(Break)	2
F05	Nut M5 Nylon	1
F06	Spiked Bumper	1
F07	Chain Catcher Bush	1
F08	Chain Catcher	1
F09	Screw M5x30(Trox)	1
F10	Brake Band	1
F11	Roller 3x9(Break)	1
F12	Brake Spring Guide	1
F13	Brake Spring	1
F14&15	Brake Lever & Arm Assy	1
F15	Buy #14	1
F16	Screw ST 3.5x8	1
F17	Positioning Spring(Break)	1
F18	Positioning Spring Seat	1
F19	Stop Pin(Brake)	1
F20	Brake Spring Cover	1

## E. OIL SYSTEMS, CLUTCH





	N/A	1
--	-----	---