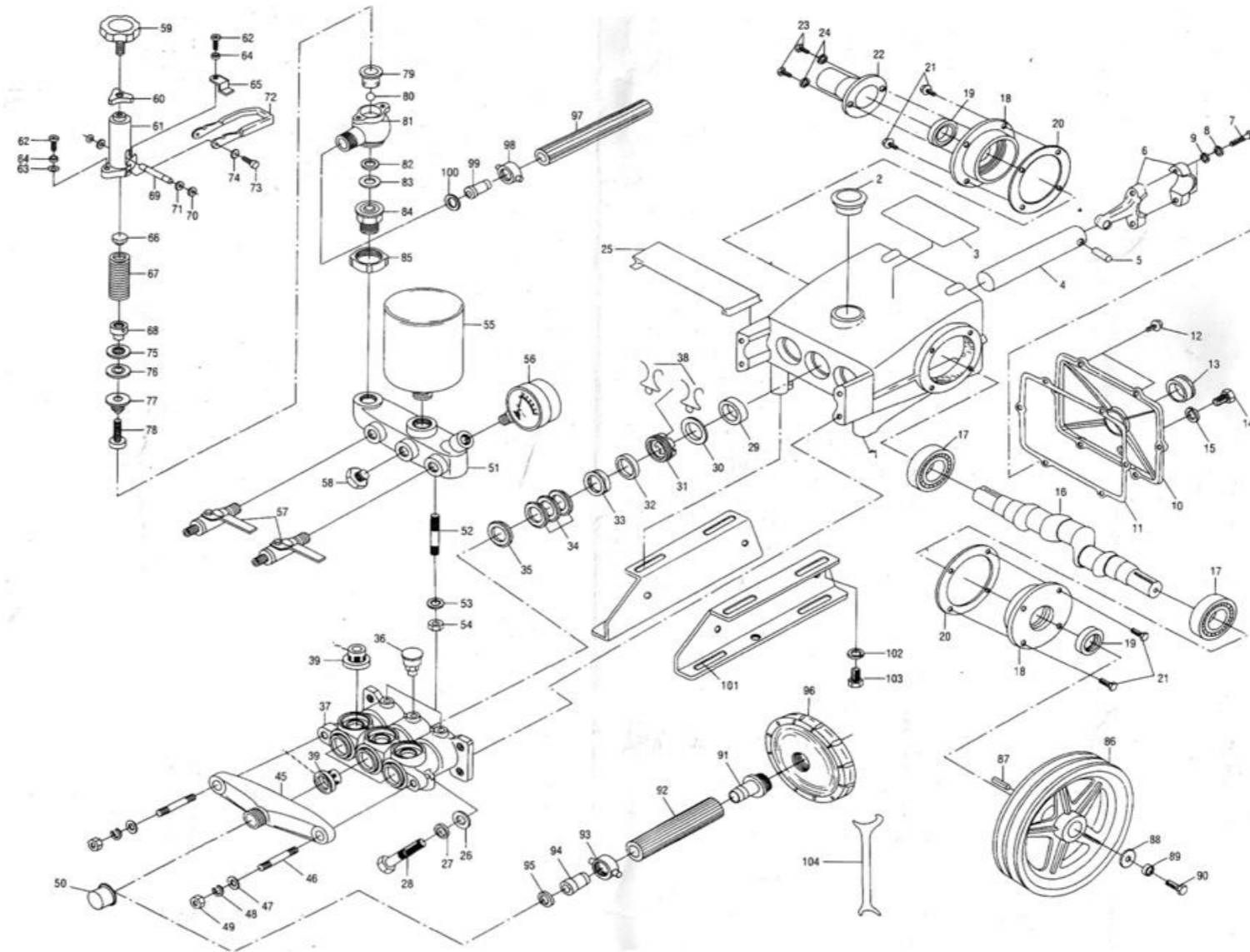


Compone	Part No.	Part Names
	1	Crank Case
	2	Oil Inlet Cover
	3	Name Plate
	4	Plunger
	5	Plunger Pin
	6	Connecting Rod
	7	Bolt Connecting Rod
	8	Spring Washer
	9	Plain Washer
	10	Crank Casecover
	11	Packing Cover
	12	Screw Cover Crankcase
	13	Oil Gauge
	14	Drain Plug
	15	Packing Drain Plug
	16	Crank Shaft
	17	Ball Bearing
	18	Case Ball Bearing
	19	Oil Seal, Crank Shaft
	20	Packing Bearing Case <b>(Only for 120A3)</b>
	21	Hex Bolt <b>(Only for 120A3)</b>
	22	Cover-Crank Shaft
	23	Screw-Crank Cover
	24	Plain Washer
	25	Gland Cover
	26	Plain Washer
	27	Spring Washer
	28	Stud Bolt
	29	Plunger Oil Seal
	30	Check Ring
	31	Adjusting Ring
	32	Grease Seal
	33	Grease Ring
	34	V-Packing
	35	V-Packing Seat
	36	Grease Cup
	37	Cylinder
	38	Set Clip For Adjusting
	39	Valve Assembly
	40	N/A
	41	Valve Spring
	42	N/A
	43	Valve Seat
	44	Valve Seal
	45	Suction Chamber
	46	Stud Bolt-Suction Chamber
	47	Plain Washer

## DIAGRAM OF THE POWER SPRAYER



	48	Spring Washer
	49	Hex Nut
	50	Suction Cap
	51	Water Outlet Chamber
	52	Stud Bolt-Outlet Chamber
	53	Plain Washer
	54	Hex Nut
	55	Air Chamber
	56	Pressure Gauge
	57	Cock (valve)/Ball Cock
	58	N/A
	59	Pressure Adjusting Screw
	60	Fly Nut
	61	Spring Box
	62	Cross Screw
	63	Plain Washer
	64	Spring Washer
	65	Level
	66	Upper Metal
	67	Regulation Spring
	68	Spring Seat
	69	Pin-Spring Box
	70	E-Ring
	71	Plain Washer
	72	Pressure Adjuster
	73	Hex Bolt
	74	Plain Washer
	75	N/A
	76	N/A
	77	Box Oil Seal
	78	Spindle
	79	N/A
	80	Ball Valve / Steel Ball
	81	Body Over Flow
	82	Valve Seat/ Steel Ball Seat
	83	Packing Valve Seat
	84	N/A
	85	N/A
	86	V-Pulley
	87	Key-V-Pulley
	88	Plain Washer
	89	Spring Washer
	90	Hex Bolt
	91	Strainer Joint
	92	Suction Hose
	93	Wing Nut, Suction
	94	Male Joint
	95	Suction Packing
	96	Strainer Suction Assy
	97	Overflow Hose

	98	Wing Nut, Over Flow
	99	Male Joint
	100	Overflow Packing
	101	Bed, Crank Case
	102	Spring Washer
	103	Hex Bolt
	104	Adjusting Handle
	105	Partial Regulator