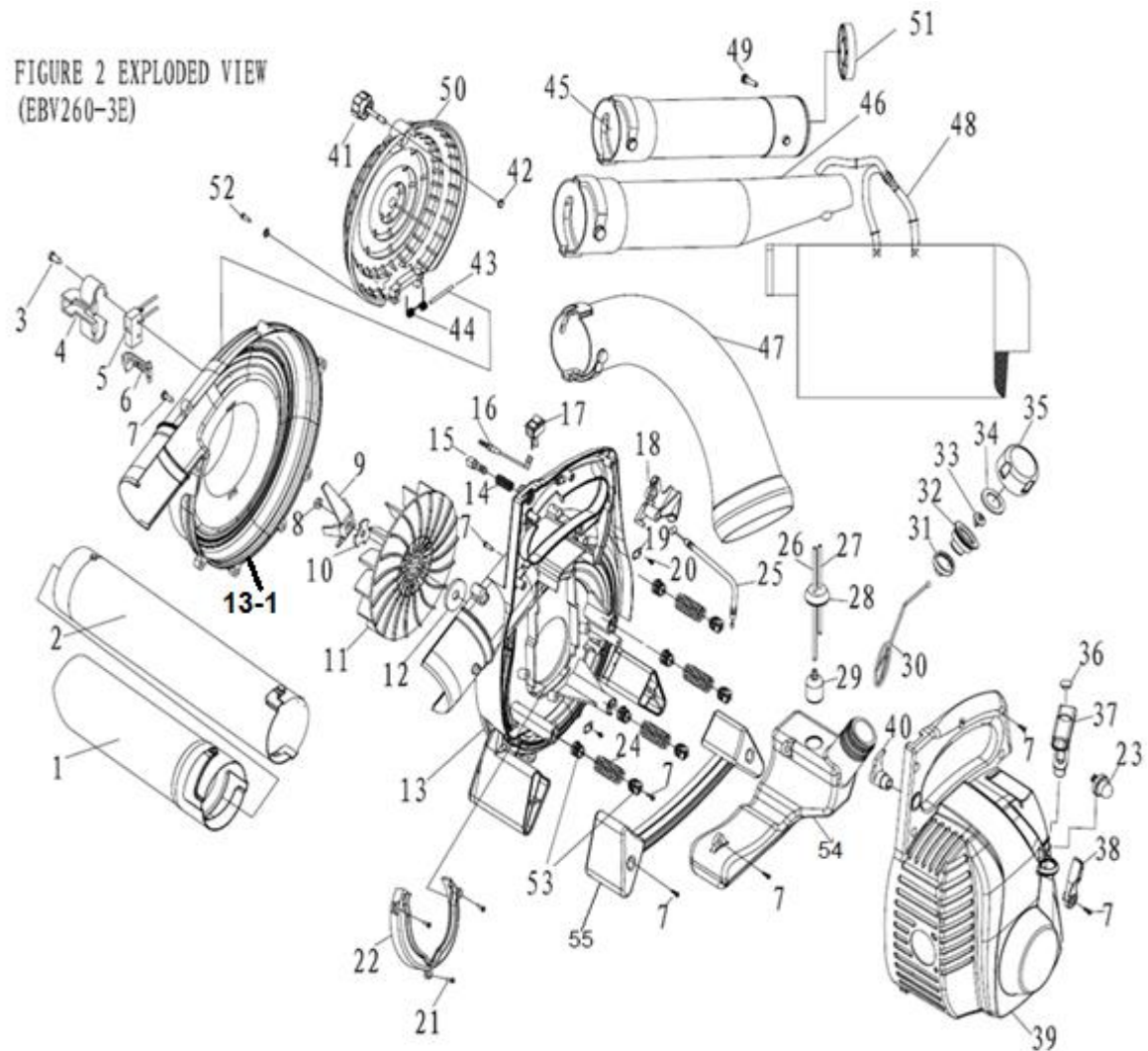


BODY KK - LBV-260

PART.NO.	KK-PART LIST	Qty.
B-01	Pipe(2) (INLET)	1
B-02	Pipe(1) (INLET)	1
B-03	screw S.T M5x10	2
B-04	Switch Carapace	1
B-05	Switch	2
B-06	Switch Lock	1
B-07	Screw S.T M5x20	28
B-08	Nut M8xl LH Thread	1
B-09	Comminute Board / Blade	1
B-10	Washer (Impeller)	1
B-11	Impeller	1
B-12	Washer 6 (Impeller)	1
B-13	Valute Case (Big)	1
B-13-1	Valute Case (Small)	
B-14	Spring (Thottle Lock)	1
B-15	Lock Handle(Thottle)	1
B-16	Stop Wire	2
B-17	Stop Switch	1
B-18	Control Handle	1
B-19	Baffle/Wire Clip	2
B-20	Screw ST 4.2x9	2
B-21	Screw ST M5x10	3
B-22	Wind-Leading Cover	1
B-23	Oil Cuf/Primer bulb	1
B-24	Spring (Bedding)	4
B-25	Throttle (Cable)	1
B-26	Fuel Pipe (Long)	1
B-27	Fuel Pipe (Short)	1
B-28	Fuel Pipe Groment	1
B-29	Petrol Filiter	1
B-30	BUY # 35	1



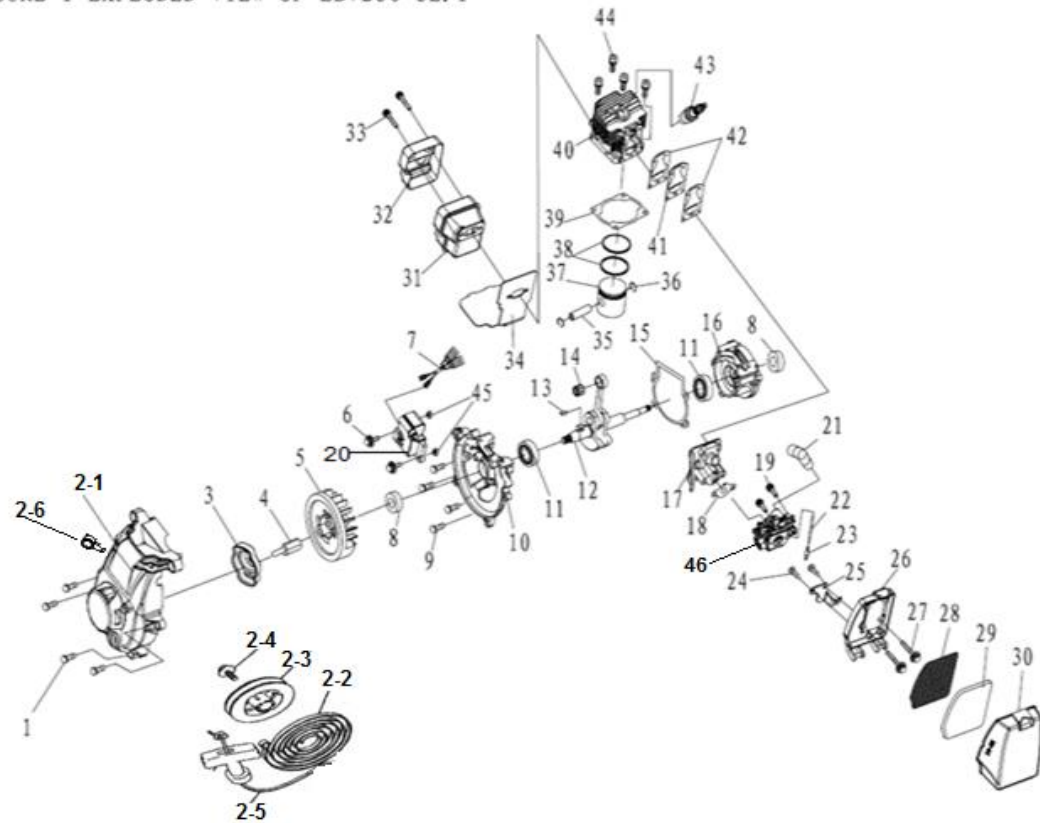
B-31	BUY # 35	1
B-32	BUY # 35	1
B-33	BUY # 35	1
B-34	Gasket Fuel Tank Lid	1
B-35	Fuel Tank Lid Assy	1
B-36	Block (Starter handle)	1
B-37	Starter Handle	1
B-38	Outside Control(Throttle)	1
B-39	Protection(Cover big)	1
B-40	Inside Control(Throttle)	1
B-41	Screw (Protection)	1
B-42	Sealing washer 3.15*1.8	1
B-43	Pin (protection cover)	1
B-44	Spring (protection cover)	1
B-45	Pipe(1) (OUTLET)	1
B-46	Pipe(2) (OUTLET)	1
B-47	Collecting pipe	1
B-48	Collecting bag	1
B-49	Screw M5x10 (Star)	1
B-50	Protection(Cover small)	1
B-51	Protection(Pipe outlet)	1
B-52	Screw S.T M5x16	1
B-53	Connection (Spring Bedding)	8
B-54	Fuel tank	
B-55	Stand (Fuel tank)	

ENG KK - LBV-260

PART.NO.		Qty.
E-01	Screw M5x14(Allen)	4
E-02	Starter assy	1
E-2-1	Starter cover	1
E-2-2	Recoil Spring	1
E-2-3	Rope Reel	1
E-2-4	Screw (Rope Reel)	1

E-2-5	Starter Rope	1
E-2-6	Rope Guide	1
E-03	Starter reel	1
E-04	Link shift(Fly wheel)	1
E-05	Fly wheel	1
E-06	Screw M5x20(Allen)	2
E-07	Parking / Wire	1
E-08	Oil seal 12X22X6	2
E-09	Screw M5x18 (Allen)	4
E-10	Crank Case (Big)	1
E-11	Bearing 6001	2
E-12	Crank shaft	1
E-13	Key 3x5x13 (Crank Shaft)	1
E-14	Needle Bearing (Piston Pin)	1
E-15	Gasket (Crankcase)	1
E-16	Crank Case (Small)	1
E-17	Insulator	1
E-18	Gasket (Carburator)	1
E-19	Screw M5x14 (Allen)	2
E-20	Ignation Coil	
E-21	Inlet Pipe/Breather Hose	1
E-22	Fuel pipe(115mm)	1
E-23	Connetion(Fuel Pipe)	1
E-24	Screw ST4.8X9.5	2
E-25	Fuel throttle bracket	1
E-26	Air cleaner inside cover	1
E-27	Screw M5x50 (Allen)	2
E-28	Air filter baffle	1
E-29	Air filter sponge	1
E-30	Air cleaner outside cover	1
E-31	Muffler	1
E-32	Cover (Muffler)	1
E-33	Screw M5x60 (Allen)	2

FIGURE 1 EXPLODED VIEW OF EBV260-3E. 1



E-34	Gasket (Muffler)	1
E-35	Piston pin	1
E-36	Cir clip piston pin	2
E-37	Piston	1
E-38	Piston ring	2
E-39	Gasket (Cylinder)	1
E-40	Cylinder	1
E-41	Read valve assy	1
E-42	Gasket (Insulator)	2
E-43	Spark plug	1
E-44	Check Screw M5x18 (Allen)	4
E-45	Gasket (Ig-coil)	2
E-46	Carburator	1